

8"

Architectural LED Cylinder

EPC-8-HL-CM

Cylinder Series



Application

A complete family of cylinders for downlight, wallwashers, double wallwashers, and corner wallwashers in multiple, mounting options, beam spreads and apertures designed for commercial, civic, museums, corporate, hospitality, academic, retail, medical, and houses of worship.

Features

- Exceptional Optical Quality: Up to 98 CRI, 1×2 Step MacAdam Ellipse.
- Shipped standard with a Solite Beam Smoother lens that removes striations from the light source.
- Available with a multitude of dimming protocols and control offerings.

Lumens	High Performance: 6000, 8000, 10000
CCT & Dynamic Platforms	High Performance: 22K, 27K, 30K, 35K, 40K, 50K
CRI	High Performance: 90+, 98+
Color Quality	2 Step MacAdam Ellipse
Distributions	ND, MD, WD, VWD
Trim Options	Downlight
Reflector Colors	CL (Semi-Specular Chrome), SHZ (Low Iridescent Satin Haze), WT (Wheat), W (White), MB (Black), BZ (Bronze)
Flange Colors	Self-Flanged WH (White), SCH (Semi-Specular Chrome), SHZ (Low Iridescent Satin Haze), BK (Black), BZ (Bronze)
Dimming	DIM10
Emergency	EMG-LED-10W, EMG-LED-20W, INTG-EMG-LED-10W, INTG-EMG-LED-20W, EMG-LED-G2-10W-SDT
Lifetime	L70 at 102,000 Hours
Photometric Tests	In Accordance with IES LM79-08, LM80 and TM-30, TM-21



8"

Architectural LED Cylinder

EPC-8-HL-CM

Cylinder Series

PART NUMBER: **EPC-8-HL-CM-6000L-22K-90-ND-DIM10-120V-WH**

Series	Lumens	CCT	CRI	Optics	Driver	Voltage	Emergency	Finish	
EPC-8-HL-CM	6000L	22K	90+	ND	DIM10	120V	-	WH	
	8000L	27K	98+²	MD		277V	EMG-LED-10W	BK	
	10000L	30K				WD	347V	EMG-LED-20W	BZ
		35K				VWD		INTG-EMG-LED-10W	SI
		40K						INTG-EMG-LED-20W	CUS
	50K¹					EMG-LED-G2-10W-SDT			

¹ 50K series are available with 85+ CRI only ² 98+ CRI is available in 27K, 30K and 40K only

8"

Architectural LED Cylinder

EPC-8-HL-CM

Cylinder Series

Modifications Available

Consult factory for modification requests; orders may require shop drawing approval.

Downlight

Our signature anodized reflector, spun to a reverse parabola design, achieves a 50° shielding angle and a 40° cut-off, which eliminates inter-reflections, and enhances low aperture brightness

Wall Wash

The optical assembly delivers uniform ceiling-to-floor wallwashing without creating any visible scallops. The optical assembly is specially designed to extend a beam in two directions for a uniform floor-to-ceiling and side-to-side wash of light.

Double Wall Wash

Used in a corridor to wash both walls, providing both horizontal and vertical illumination that fully illuminates corridors and hallways.

Corner Wall Wash

Replacing the effect that two luminaires provide, a corner wallwasher kicks light across corners that run perpendicular to one another, ultimately providing a 210° wash of light fully covering conjoined walls and surfaces.

Optical Performance and Trim

Spun aluminum anodized single piece reflector. The optical system consists of 1) an upper reflector for a precise beam spread; 2) a solite soft focus lens to diffuse the light source for smooth, striation-free distribution; 3) and a patented lens to control the beam angle and provide a 40° visual cutoff. Available in a variety of beam angles. Integral heatsink comes preinstalled on the housing for maximum heat dissipation and locks together with the reflector to prevent zero light leakage for above the ceiling.

Fully Servicable - Easy Installation & Upgrading

Ceiling mount bracket provided for direct installation with 3-1/4" to 4" octagonal and square junction box.

Housing / Mounting

Die-formed constructed cylinder body for maximum heat dissipation and rust protection. Cylinder is vaiable inaa a variety of post painted colors and and custom RAL colors.

Emergency Options/Controls

The Emergency battery pack needs to remote mounted in a junction above the ceiling. A custom made canopy can also be provide upon request when there is no ceiling access and the emergency needs to be mounted below the ceiling line. The test switch for the emergency battery is mounted remotely (EMG-LED option) on the ceiling. Self Diagnostic emergency option available (EMG-SDT) Typical lumen output of the luminaire is up to 1000L with EMG-LED-10W option & 2000L with EMG-LED-20W option in emergency mode. Other accessories and controls systems include modular wiring systems, daylight harvesting controls, occupancy sensors, and/or power packs for individual or room control applications.

Drivers

120/277V 50/60Hz; 347V available. THD < 20%; power factor >.09. Thermally protected. Removal of the reflector provides complete accessibility to the junction box, driver and internal components from above and below the ceiling through the aperture.

Dimming & Driver Information

DIM10 - 0-10V dimming on either MVOLT 120, 277 or 347V. Dimmable down to 1% of initial lumens, standard

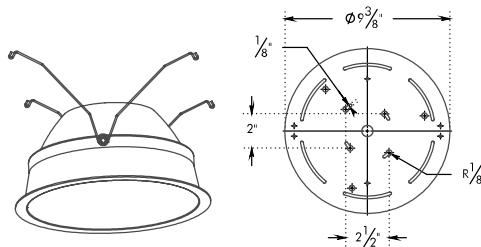
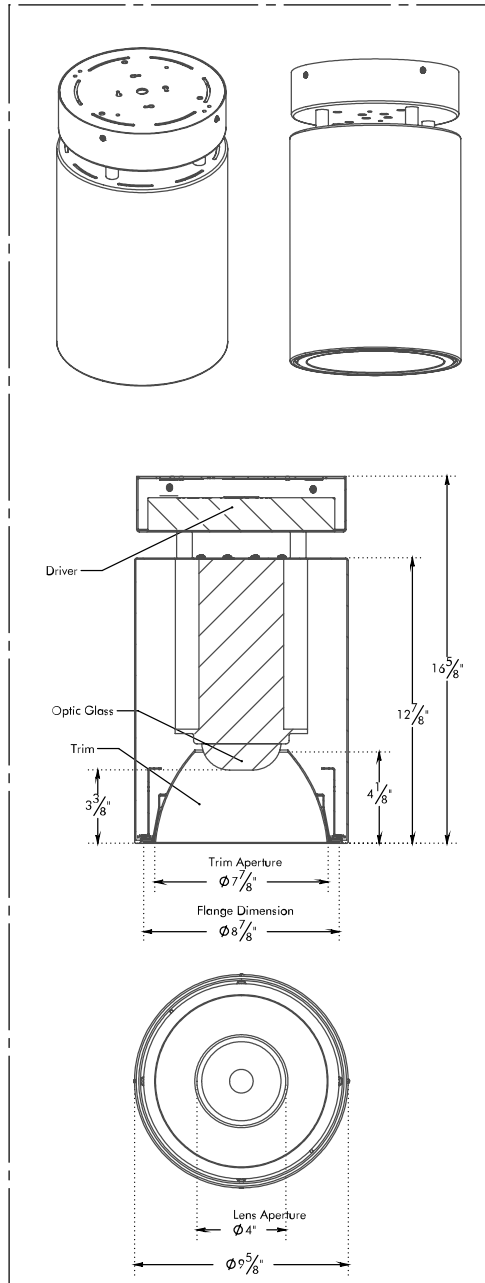


8"

Architectural LED Cylinder

EPC-8-HL-CM

Cylinder Series



WWW.EPL.COM | 718.685.0700 | NEW YORK / LOS ANGELES