

# 1"

## 1" Square Fixed / Adjustable Downlight

# EPD-1SQ

## Edison Series



### Application

A family of compact architectural downlights, the featured fixture has a 1" aperture, emitting a strong and accurate beam of light for even illumination without glare. This versatile fixture serves as a downlight, pinhole light, and adjustable downlight, seamlessly combining multiple functions in one.

### Features

#### Vertical Adjustment

- Slide the upper module up or down to achieve the desired beam angle, ranging from narrow to wide distribution.
- Use the provided Allen wrench to lower the height of the upper module for a wider distribution.
- Twist the captive screws counterclockwise to raise the height of the upper module for a narrower distribution.

#### Tool-less Hot Aiming

- Achieve a full 35-degree tilt and 360-degree rotation.
- Securely lock the fixture into place once the desired position is reached.

#### Shielding

- Adjust the shielding of the LEDs after setting the tilt, rotation, and beam angle.
- Prevent light loss and enhance directional aiming.
- Trims
- Available in round, square, and wall wash designs.

<b>Lumens</b>	<b>High Performance:</b> 800, 1000
<b>CCT &amp; Dynamic Platforms</b>	<b>High Performance:</b> 27K, 30K, 35K, 40K, 50K
<b>CRI</b>	<b>High Performance:</b> 90+, 85+
<b>Color Quality</b>	2 Step MacAdam Ellipse
<b>Distributions</b>	MD (Medium 35°)
<b>Trim Options</b>	Downlight (Flanged), Adjustable, Wall Wash, Trim-less, Square
<b>Reflector Colors</b>	WH (White), CL (Chrome)
<b>Flange Colors</b>	WH (White)
<b>Dimming</b>	DIM10, DIMTR
<b>Lifetime</b>	L70 Rated for 120,000 hours at 70% lumen maintenance
<b>Photometric Tests</b>	In Accordance with IES LM79-08, LM80 and TM-30, TM-21

Nominal Lumens	Delivered Lumens	Wattage
800L	861	10
1000L	1007	14

Based on 4000K, 90+ CRI with semi-specular chrome reflector. Actual wattage may vary +/-5%



# 1"

## 1" Square Fixed / Adjustable Downlight


# EPD-1SQ

## Edison Series

PART NUMBER: **EPD-1SQ-800L-27K-90-MD-DIM10-120V**

Series	Lumens	CCT	CRI	Optics	Driver	Voltage	Options
<b>EPD-1SQ</b>	<b>800L<sup>3</sup></b> <b>1000L<sup>4</sup></b>	<b>27K</b> <b>30K</b> <b>35K</b> <b>40K</b> <b>50K</b>	<b>90+</b> <b>85+<sup>1</sup></b>	<b>MD</b> <small>Medium (35°)</small>	<b>DIM10</b> <b>DIMTR<sup>2</sup></b>	<b>120V</b> <b>MVOLT</b>	<b>-</b> <b>BP30</b>


### TRIM OPTIONS: (MODULES)



**EPD-1SQ-112-30K-WH-WH**

CCT	Finish
27K	WH-WH
30K	CL-WH
35K	
40K	
50K	

**EPD-1SQ-112**  
Adjustable/Fixed  
Downlight



**EPD-1SQ-TL-112-30K-WH-WH**

CCT	Finish
27K	WH-WH
30K	CL-WH
35K	
40K	
50K	

**EPD-1SQ-TL-112**  
Adjustable/Fixed  
Downlight

<sup>1</sup> 85+ CRI only available in 50K    <sup>2</sup> DIMTR available in 120V only    <sup>3</sup> Available only in 10W with new construction and remodel housing

<sup>4</sup> Available only in 15W with new construction and remodel housing

**Modifications Available**

Consult factory for modification requests; orders may require shop drawing approval.

**Adjustable**

Has full adjustable aiming capability, allowing the double gimbal mechanism to rotate 360°, pivot 90°, and lock into place at any desired position.

**Wall Wash**

The optical assembly delivers uniform ceiling-to-floor wallwashing without creating any visible scallops. The optical assembly is specially designed to extend a beam in two directions for a uniform floor-to-ceiling and side-to-side wash of light.

**Trim Design****Downlight, Pinhole, Adjustable: All In-One**

- EPD-1SQ-ADJ architectural downlight, with a small 1" aperture, delivers a powerful and precise beam of light, providing uniform, glare-free illumination. It functions as a downlight, pinhole, and adjustable downlight all-in-one.
- The pull-down mechanism extends the upper module up to 2 inches, allowing it to tilt up to 90° and rotate up to 360°, and locks securely into position. The reflector can be adjusted to cover the cavity when repositioning the module.

**Vertical Adjustment**

- Slide the upper module up or down to achieve the desired beam angle, from narrow to wide distribution. Alternatively, use the provided Allen wrench to lower the height of the upper module for a wider distribution. Turning the captive screws counterclockwise raises the height of the upper module for a narrower distribution.

**Tool-less Hot Aiming**

- Manually adjust the module to achieve up to a 35-degree tilt, allowing precise light aiming. Once the desired position is reached, the module can be securely locked into place.

**Shielding**

- After adjusting and locking the tilt, rotation, and beam angle, you can fine-tune the LED shielding to minimize light loss and improve directional aiming.

**Wall Wash**

- A deeply recessed light source combined with a wall wash eyelid trim ensures even illumination while reducing glare at the ceiling line. The wall wash distribution highlights shelves, displays, or artwork on the wall, creating the impression of a larger room.

**Mounting Tray**

- Constructed from die-formed aluminum and galvanized steel for optimal heat dissipation and rust protection, this New Construction NON-IC housing is designed for new construction installations and is suitable for use in ceilings not covered by insulation. The housing is NON-IC rated, requiring insulation to be pulled 3" away from it. It can be installed in 2" x 8" joist construction.

**Collar Bracket**

- For custom or thicker ceiling applications, please consult the factory. Integral laser beam slots allow the use of guide strings or leveling laser guns to ensure all luminaires are installed in a level and straight plane.

**Housing / Mounting**

- Preinstalled bar hangers enable the housing to be positioned and locked at any point within a 24" joist span. They can be adjusted along either the long or short axis of the housing and can be shortened for 12" joists. The hangers include double-headed real nails for secure attachment to the joist. These nails are installed at a 20° downward angle for better contact. The 90° pivoting mounting plate ensures fast and accurate installation. Bar hangers can also be mounted onto T-Bar spline, featuring additional slots and holes for special mounting methods if needed. The provided butterfly brackets, made from 18-gauge steel, can be adjusted vertically. They can be installed with 3/4" or 1-1/2" lathing channel, 1/2" EMT, or optional C-Channel mounting bars.

**Collar Bracket**

For custom or thicker ceiling applications, it is recommended to contact the factory for assistance. The integral laser beam slots in this product allow for the use of guide strings or leveling laser guns, ensuring accurate installation of luminaires in a level and straight manner.

**Drivers**

- DIM10 - 0-10V dimming on either MVOLT 120V . Dimmable down to 5% of initial lumens, standard.
- DIMTR - Triac & Electronic low voltage dimming. Available in 120V only.

**Listings**

- c-UL-us listed for wet location location
- c-UL-is listed for feed through wiring

**Dimming & Driver Information**

**DIM10** - 0-10V dimming on either MVOLT 120V dimmable down to 1% of initial lumens, standard

**DIMTR** - Triac & Electronic low voltage forward phase dimming. Available in 120V only

1"

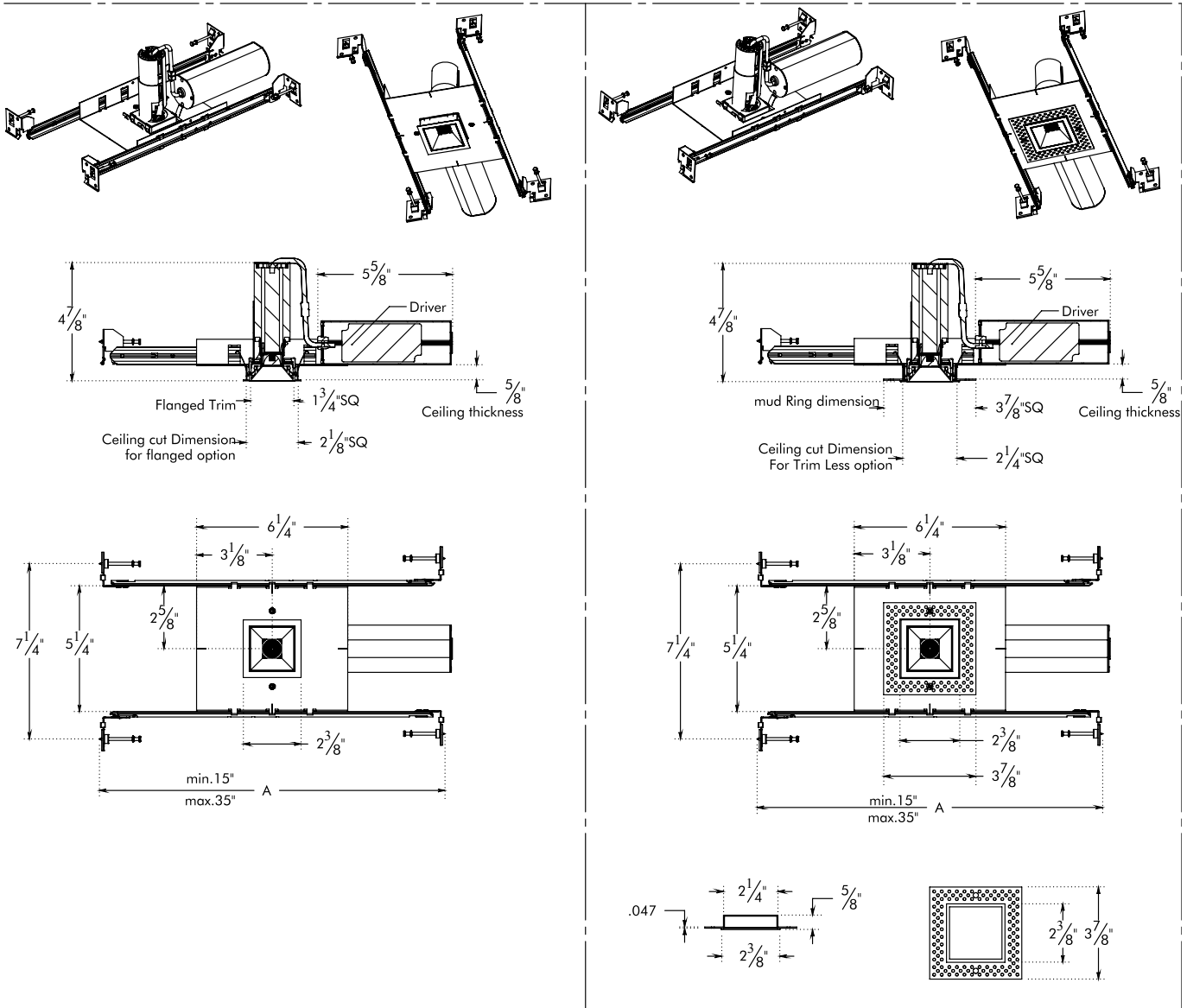
1" Square Fixed / Adjustable Downlight

EPD-1SQ

Edison Series

FLANGED

TRIMLESS



EPD-1SQ-112

