

Sirata

Layered Control



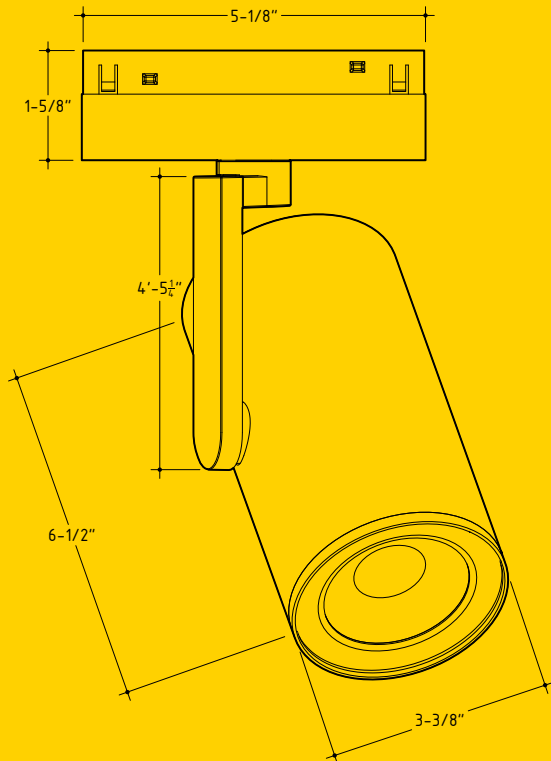


STRATA

STRATA is built around a single head platform that adapts to changing visual conditions through a layered optical approach.

Fixed, zoom, and framing configurations allow the fixture to respond to artwork, objects, materials, and displays with greater precision and flexibility.

dimensions.



strata.



1. FIXED LENS; 2. ZOOM LENS; 3. FRAMING LENS; 4. OVAL LENS;
5. WALLWASH LENS; 6. SOFTENING LENS; 7. COLOR FILTER;
8. CCT FILTER; 9. UV FILTER; 10. HONEYCOMB; 11. MEDIUM
SNOOT; 12. HALF SNOOT; 13. FULL SNOOT; 14. BARNDOORS

accessories.

1



2



3



4



5



6



7



8



9



10



11



12



13



14



output.

1000 lm - 2400 lm

cct.

3000K

3500K

4000K

optics.

fixed: 15°, 20°, 35°, 40°

zoom: 10° - 50°

framing: 25° / 40°

power.

30W nom.

120V-277V

PF > 0.97

cri.

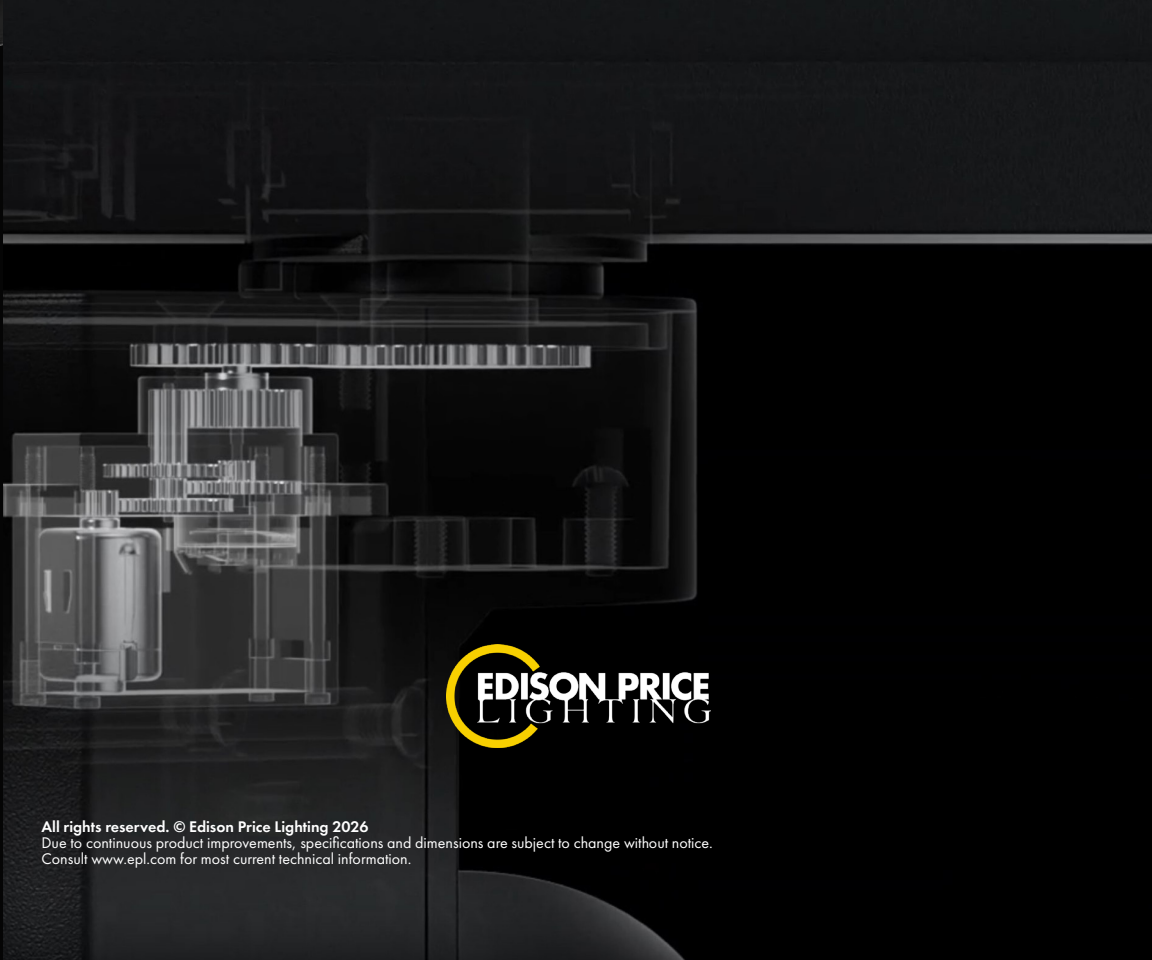
up to 97

strata

by edison price lighting

Fixed, zoom, and framing configurations allow STRATA to respond more precisely to artwork, objects, materials, and display environments.





All rights reserved. © Edison Price Lighting 2026

Due to continuous product improvements, specifications and dimensions are subject to change without notice.
Consult www.epl.com for most current technical information.