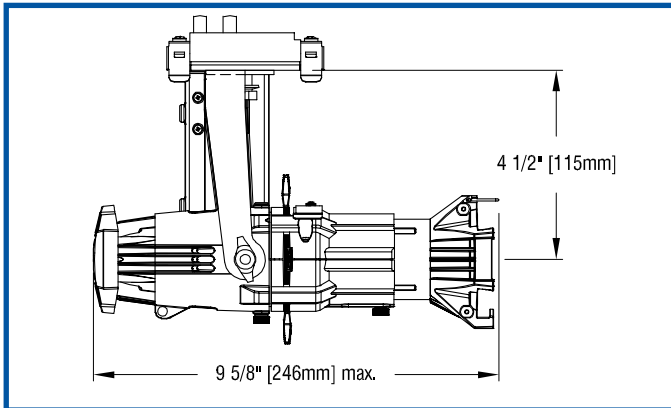


ETC®/EPL SOURCE FOUR MINI LED™

track mounted LED framing projector



ETC/EPL Source Four Mini is a reduced-size, 12-watt LED framing projector fitted with a track adapter permitting its use on any of eighteen 120-volt, 20-amp Edison Price Lighting track systems.

- Luminaire is available with interchangeable lens tubes in four field-angles: 19°, 26°, 36° and 50°.
- Luminaire includes a 3000K white LED source available in two CRI values: 80+ CRI or 90+ CRI.
- Die-cast luminaire is available in a black or white finish.
- For more information, [click here](#).

APPLICATIONS



ETC/EPL Source Four Mini is a suitable for use in museums, retail stores, restaurants, theaters and lobbies.

Luminaire is listed for operation on horizontally-mounted Edison Price Lighting 120-volt, 20-amp track systems. Not suitable for use on vertically-mounted track.

SPECIFICATIONS

PHYSICAL

- die-cast aluminum construction (A380 grade)
- high-temperature powder-coated paint
- rotating shutter assembly ($\pm 175^\circ$)
- E-size gobo pattern holder
- 37.5mm with a 25.4mm image area
- holds patterns up to .05" thick (1.27mm)
- stainless steel, full hard shutters in a tri-plane assembly, 0.40mm (A301 grade)
- fixed beam angles suit a range of throw distances
- tool-free tilt and beam adjustment
- thermally-insulated knobs and shutter handles

PRODUCT CODE

For complete product code list one basic unit and one initial lens tube.

Basic Unit

ETC/EPL Source Four Mini/3000K/80+CRI/black	4M-2CBL
ETC/EPL Source Four Mini/3000K/90+CRI/black	4M-2CBL-G
ETC/EPL Source Four Mini/3000K/80+CRI/white	4M-2CWH
ETC/EPL Source Four Mini/3000K/90+CRI/white	4M-2CWH-G

Initial Lens Tube

19° lens tube, black	- 19LT
26° lens tube, black	- 26LT
36° lens tube, black	- 36LT
50° lens tube, black	- 50LT
19° lens tube, white	- 19LT-1
26° lens tube, white	- 26LT-1
36° lens tube, white	- 36LT-1
50° lens tube, white	- 50LT-1

ACCESSORIES *Specify as separate line items.*

19° lens tube, black	4M-BL-19T
26° lens tube, black	4M-BL-26T
36° lens tube, black	4M-BL-36T
50° lens tube, black	4M-BL-50T
19° lens tube, white	4M-WH-19T
26° lens tube, white	4M-WH-26T
36° lens tube, white	4M-WH-36T
50° lens tube, white	4M-WH-50T

Warranty Details:

Fixture covered by ETC warranty; track adapter covered by Edison Price Lighting warranty.

Canopy Mount

A canopy-mounted version of this fixture is available on special order.

ELECTRICAL

- power at full intensity: 12 W typical, 14 W max
- dimmable by electronic dimmers, either
 - forward phase ('incandescent'), or
 - reverse phase (electronic low voltage)
- inrush (first half-cycle): <1A

LAMP

- Cree LED
- Life: 35,000 hours L70 lumen maintenance

MULTIPLYING FACTORS

- 80+ CRI = 1.0
- 90+ CRI = 0.736



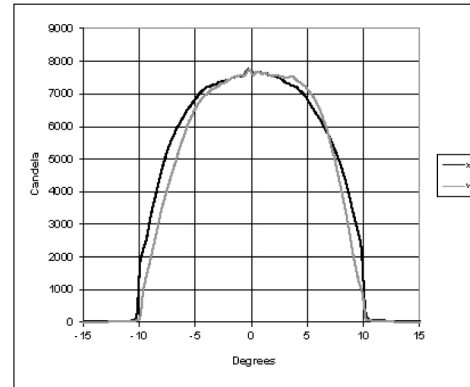
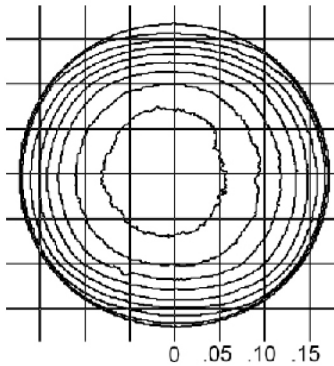
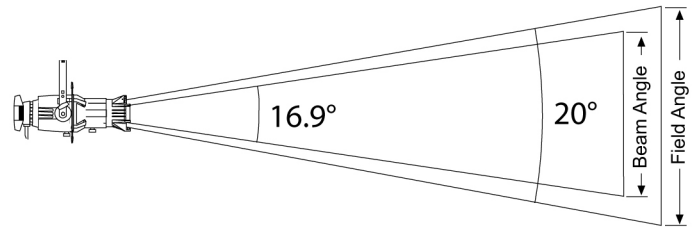
80+CRI

PHOTOMETRY

19 degree

FIELD LUMENS	BEAM LUMENS	BEAM ANGLE	FIELD ANGLE	CANDELA	LUMENS PER WATT
488	400	16.9	20.0	7,830	37

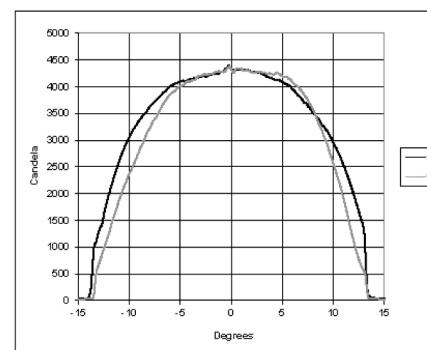
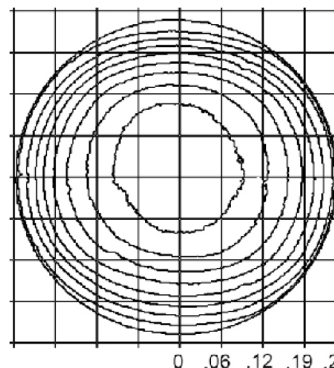
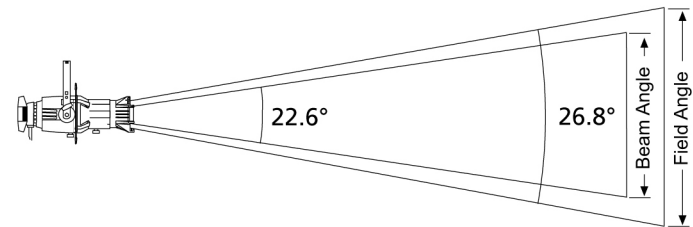
THROW DISTANCE	10ft	15ft	20ft	25ft
	3.0m	4.6m	6.1m	7.6m
FIELD DIAMETER	3.5ft 1.1m	5.3ft 1.6m	7.1ft 2.1m	8.8ft 2.7m
ILLUMINANCE (FC)	78	35	20	13
ILLUMINANCE (LUX)	843	375	211	135



26 degree

FIELD LUMENS	BEAM LUMENS	BEAM ANGLE	FIELD ANGLE	CANDELA	LUMENS PER WATT
490	399	22.6	26.8	4,440	37.1

THROW DISTANCE	10ft	15ft	20ft	25ft
	3.0m	4.6m	6.1m	7.6m
FIELD DIAMETER	4.8ft 1.5m	7.1ft 2.2m	9.5ft 2.9m	11.9ft 3.6m
ILLUMINANCE (FC)	44	20	11	7
ILLUMINANCE (LUX)	478	212	119	76



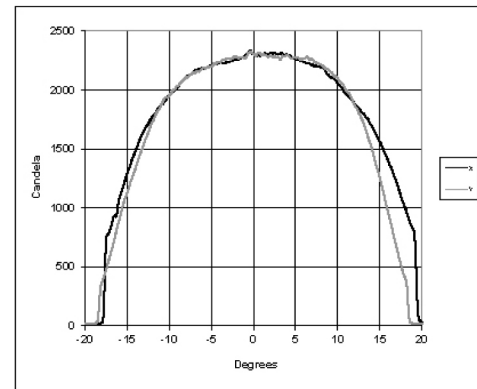
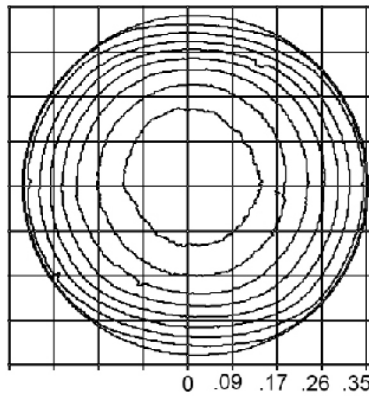
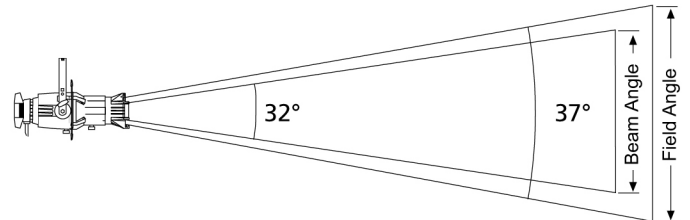
80+CRI

PHOTOMETRY

36 degree

FIELD LUMENS	BEAM LUMENS	BEAM ANGLE	FIELD ANGLE	CANDELA	LUMENS PER WATT
517	412	32.0	37.0	2,350	39.1

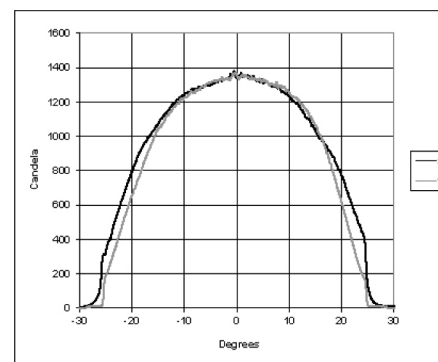
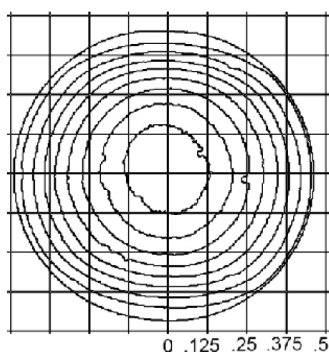
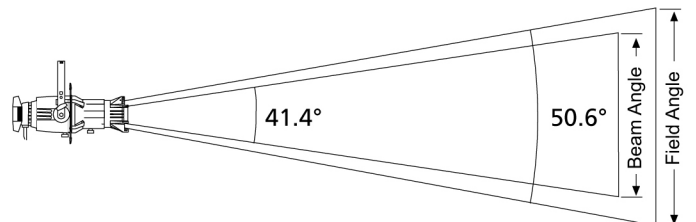
THROW DISTANCE	10ft	15ft	20ft	25ft
	3.0m	4.6m	6.1m	7.6m
FIELD DIAMETER	6.7ft	10.0ft	13.4ft	16.7ft
	2.0m	3.1m	4.1m	5.1m
ILLUMINANCE (FC)	24	10	6	4
ILLUMINANCE (LUX)	253	112	63	40



50 degree

FIELD LUMENS	BEAM LUMENS	BEAM ANGLE	FIELD ANGLE	CANDELA	LUMENS PER WATT
517	369	41.4	50.6	1,384	39.1

THROW DISTANCE	10ft	15ft	20ft	25ft
	3.0m	4.6m	6.1m	7.6m
FIELD DIAMETER	9.5ft	14.2ft	18.9ft	23.6ft
	2.9m	4.3m	5.8m	7.2m
ILLUMINANCE (FC)	14	6	3	2
ILLUMINANCE (LUX)	149	66	37	24



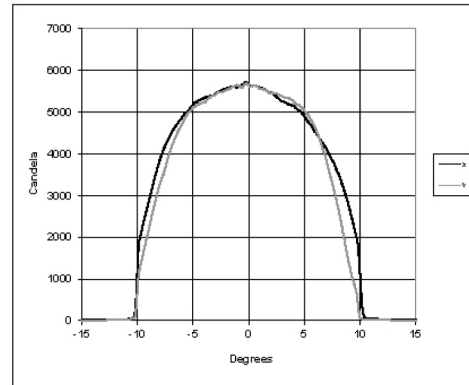
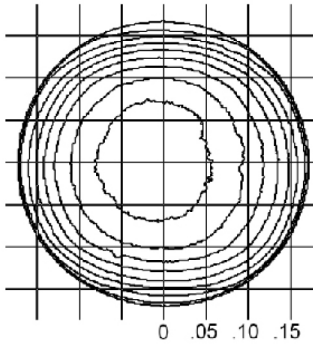
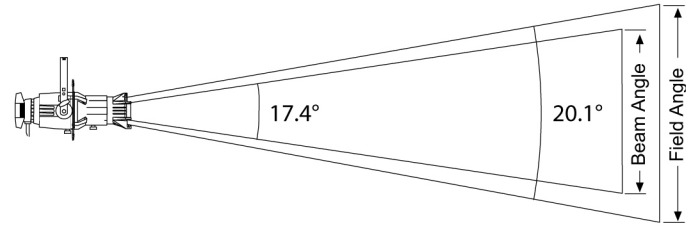
90+CRI

PHOTOMETRY

19 degree

FIELD LUMENS	BEAM LUMENS	BEAM ANGLE	FIELD ANGLE	CANDELA	LUMENS PER WATT
374	311	17.4	20.1	5,752	29.4

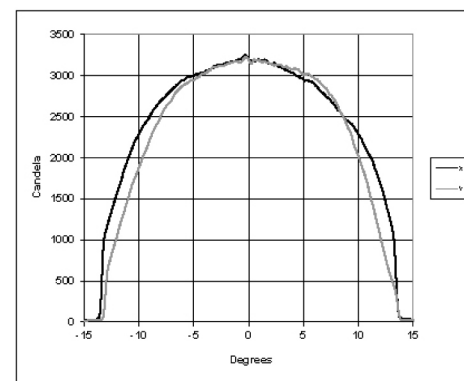
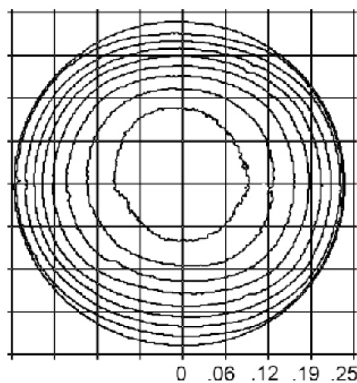
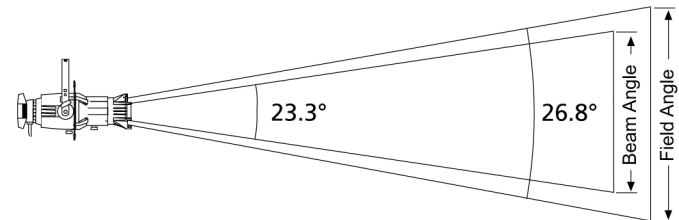
THROW DISTANCE	10ft	15ft	20ft	25ft
3.0m	3.0m	4.6m	6.1m	7.6m
FIELD DIAMETER	3.5ft	5.3ft	7.1ft	8.9ft
1.1m	1.6m	2.2m	2.7m	
ILLUMINANCE (FC)	58	26	14	9
ILLUMINANCE (LUX)	619	275	155	99



26 degree

FIELD LUMENS	BEAM LUMENS	BEAM ANGLE	FIELD ANGLE	CANDELA	LUMENS PER WATT
376	311	23.3	26.8	3,270	29.6

THROW DISTANCE	10ft	15ft	20ft	25ft
3.0m	3.0m	4.6m	6.1m	7.6m
FIELD DIAMETER	4.8ft	7.1ft	9.5ft	11.9ft
1.5m	2.2m	2.9m	3.6m	
ILLUMINANCE (FC)	33	15	8	5
ILLUMINANCE (LUX)	352	156	88	56



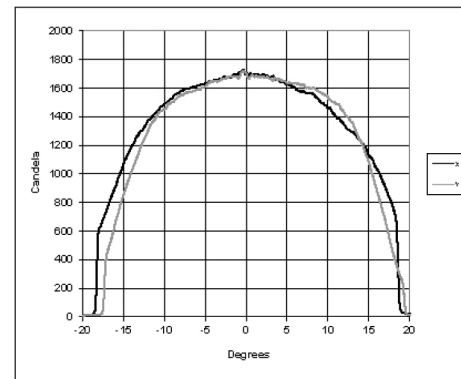
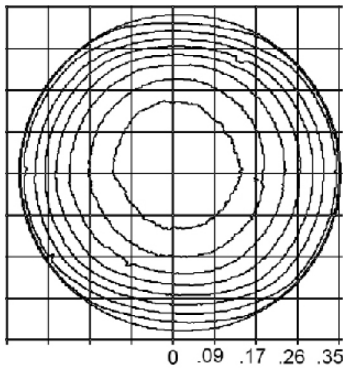
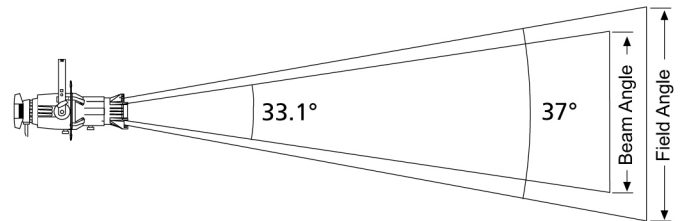
90+CRI

PHOTOMETRY

36 degree

FIELD LUMENS	BEAM LUMENS	BEAM ANGLE	FIELD ANGLE	CANDELA	LUMENS PER WATT
391	320	33.1	37.0	1,730	30.8

THROW DISTANCE	10ft 3.0m	15ft 4.6m	20ft 6.1m	25ft 7.6m
FIELD DIAMETER	6.7ft 2.0m	10.0ft 3.1m	13.4ft 4.1m	16.7ft 5.1m
ILLUMINANCE (FC)	17	8	4	3
ILLUMINANCE (LUX)	186	83	47	30



50 degree

FIELD LUMENS	BEAM LUMENS	BEAM ANGLE	FIELD ANGLE	CANDELA	LUMENS PER WATT
389	286	42.8	50.4	1,010	30.7

THROW DISTANCE	10ft 3.0m	15ft 4.6m	20ft 6.1m	25ft 7.6m
FIELD DIAMETER	9.4ft 2.9m	14.1ft 4.3m	18.8ft 5.7m	23.5ft 7.2m
ILLUMINANCE (FC)	10	4	3	2
ILLUMINANCE (LUX)	109	48	27	17

