

# ARTIMA<sup>®</sup>/2 O-OBM

surface mounted multi-function accent light



aperture view

Artima/2 O-OBM with Cross Baffle (OX)

Artima/2 O-OBM is an accent light designed for mounting on a 4" octagonal outlet box (by others). Luminaire is powered by one of a number of Cree chip-on-board LED's. See tables below for wattages and efficacies.

- **Fixture function can be changed with your choice of Quick Change Cartridge** – which can be removed from the fixture easily – and your choice of 'twist and lock' reflector .
- **Quick Change Cartridge /Reflector choices**
  - **Quick Change Cartridge** with an **open aperture (OH)** for maximum efficacy; for use with 10°, 20° or 36° reflectors
  - **Quick Change Cartridge** with a **cross baffle (OX)** for enhanced glare control; for use with 20° or 36° reflectors
  - **Quick Change Cartridge** with a **ring baffle (OG)** for narrow spot control; for use with a 10° reflector
- Fixture is ordered with a single Quick Change Cartridge and a single reflector. Additional Quick Change Cartridges and reflectors may be ordered as accessories.
- **Optical Accessories:** Each Quick Change Cartridge accepts one or two of a number of spread lenses, color filters and screens. A complimentary Beam Smoother is included.
- **Horizontal adjustment can be locked** by tightening the upper collar clamp using a 1/8" hex key; vertical adjustment can be locked by tightening the lower collar clamp using a 3/32" hex key.
- **For more information, [click here](#).**



aperture view

Artima/2 O-OBM with Open Aperture (OH)



aperture view

Artima/2 O-OBM with Ring Baffle (OG)

## PRODUCT CODE

For complete product code, list basic unit and select one item from each following box.

<b>Basic Unit</b> .....	A2-CLT-OB	
<b>Quick Change Cartridge</b>		
Open Aperture .....	any reflector .....	- OH
Cross Baffle .....	20° or 36° reflector .....	- OX
Ring Baffle .....	10° reflector .....	- OG
<b>Reflector</b>		
10° narrow spot .....	OG or OH Cartridge .....	- 10D
20° spot .....	OH or OX Cartridge .....	- 20D
36° flood .....	OH or OX Cartridge .....	- 36D
<b>Light Source Output (Lumens)</b>		
900L / CRI 98 .....	not available with 5000K .....	- L09A
1200L .....	not available with 5000K .....	- L12A
1500L .....	not available with 5000K .....	- L15A
1200L / CRI 80+ .....		- L12S
1500L .....		- L15S
2000L .....		- L20S
<b>Light Color</b>		
2700K .....		- 27K
3000K .....		- 30K
3500K .....		- 35K
4000K .....		- 40K
5000K .....	not available with all Light Outputs (see above).....	- 50K
<b>Finish</b>		
white: white paint, white lead cord, matte aluminum heat sink .....		- WH
black: black paint, black lead cord, black heat sink .....		- BL
Industrial Silver: silver paint, black lead cord, black heat sink .....		- SI
custom color: include physical chip with order and select one from below		
• white lead cord, matte aluminum heat sink .....		- CCW
• black lead cord, black heat sink .....		- CCB
• any other combination requires a special order		
<b>Driver (DVP):</b> Fixture includes a driver which is		
• dimmable to 5% with an incandescent or electronic low voltage (ELV) dimming on 120-volt service – and –		
• dimmable to 1% with a 0-10V dimmer on 120-volt or 277-volt		

## EXTRA REFLECTORS & CARTRIDGES

Specify as separate line items.

<b>Reflector</b>		
10° narrow spot .....	A2-CLT-REF-10D	
20° spot .....	A2-CLT-REF-20D	
36° flood .....	A2-CLT-REF-36D	
<b>Quick Change Cartridge</b>		
Open Aperture .....	any reflector .....	A2-CLT-OH
Cross Baffle .....	20° or 36° reflector .....	A2-CLT-OX
Ring Baffle .....	10° reflector .....	A2-CLT-OG

## OPTICAL ACCESSORIES ▼ See next page

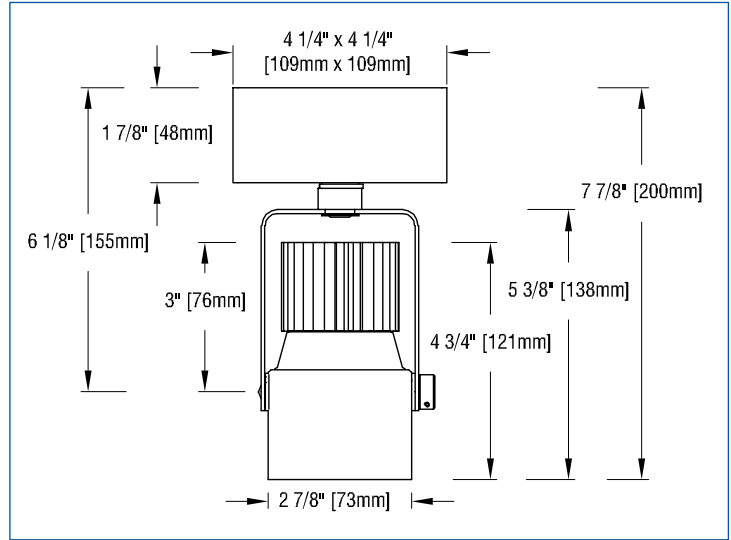


## OPTICAL ACCESSORIES

Specify as separate line items.

All are 2 3/8" (60mm) dia. Lenses and filters are glass; screens are aluminum.

<b>diffuse glass</b> .....	DGS/2.375
<b>prismatic lens</b> (Solite) .....	PLS/2.375
<b>55° spread lens</b> .....	LENS/2.375
<b>40° x 70° spread lens</b> .....	LENS/2.375-4070
<b>beam smoother</b> included with fixture .....	CLR/2.375
<b>color filters</b>	
Daylight Blue .....	DAY/2.375
Surprise Pink .....	PNK/2.375
amber .....	AMB/2.375
blue .....	BLU/2.375
green .....	GRN/2.375
red .....	RED/2.375
<b>33% light reduction screen</b> .....	SCR33/2.375
<b>50% light reduction screen</b> .....	SCR50/2.375



## BARN DOORS

Specify as separate line items.

Specify with one optical accessory (not included), see above.

<b>white</b> .....	BD-A2-WH
<b>black</b> .....	BD-A2-BL
<b>silver</b> .....	BD-A2-SI
<b>custom color</b> .....	BD-A2-CC



## APPLICATIONS

Luminaire is suitable for highlighting vertical or horizontal surfaces, as well as objects in museums, galleries, showrooms, residences, offices and stores.

Luminaire is listed for Damp Location mounting on a standard 4" octagonal outlet box (by others).

### STANDARD DRIVER INFORMATION (UL Class 2, dry and damp location)

Voltage	120	277
Input Watts (L12S/L15S/L20S/L09A/L12A/L15A)	10/14/20/10/14/20	10/14/20/10/14/20
Input Current(A) (L12S/L15S/L20S/L09A/L12A/L15A)	.08/.12/.17/.08/.12/.17	.04/.05/.07/.04/.05/.07
Output Current (mA)	350-700	350-700
Min. Power Factor	0.90	0.90
Operating Temperature Range (F)	-4 to 122	-4 to 122

### LIGHT OUTPUT MULTIPLIER

(Based on 2000 lumens 80 CRI option)

LED Module Type	Light Output Multiplier
1200 Lumens 80 CRI (L12S)	0.58*
1500 Lumens 80 CRI (L15S)	0.76*
2000 Lumens 80 CRI (L20S)	1
900 Lumens 98 CRI (L09A)	0.44*
1200 Lumens 98 CRI (L12A)	0.58*
1500 Lumens 98 CRI (L15A)	0.76*

\*estimated values

– photometrics continued below –



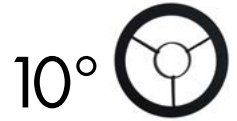
## PHOTOMETRIC REPORT with 10° reflector and OG Cartridge (tested per IESNA LM-79-2008)

Leading Testing Laboratories Report No. UT18050006-01a. Original test report furnished upon request.

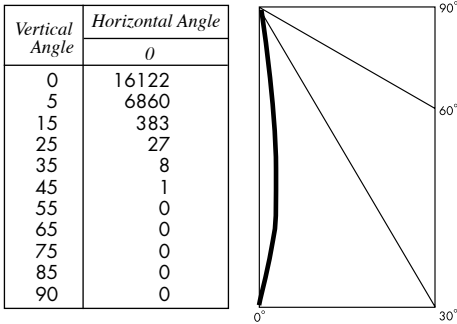
Luminaire ..... surface-mounted LED accent light with 10° reflector and black ring-baffle (no lens)

Lamp ..... Cree LED 2000 lumens, 3000K CCT

Lamp Life ..... rated 50,000 hours based on L70/B50 criteria. LM80 report by LED manufacturer furnished upon request



### CANDLEPOWER DISTRIBUTION



### LUMINAIRE LIGHT OUTPUT AND EFFICACY

LED Module Type	Luminaire Light Output	Luminaire CBCP	Luminaire Efficacy (lms/watt)	System Wattage
1200 Lumens 80 CRI (L12S)	491*	9351*	49*	10
1500 Lumens 80 CRI (L15S)	643*	12253*	46*	14
2000 Lumens 80 CRI (L20S)	846	16122	43	20
900 Lumens 98 CRI (L09A)	372*	7094*	37*	10
1200 Lumens 98 CRI (L12A)	491*	9351*	35*	14
1500 Lumens 98 CRI (L15A)	643*	12253*	32*	20

\*estimated values

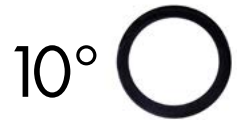
## PHOTOMETRIC REPORT with 10° reflector and OH Cartridge (tested per IESNA LM-79-2008)

Leading Testing Laboratories Report No. UT18050006-02a. Original test report furnished upon request.

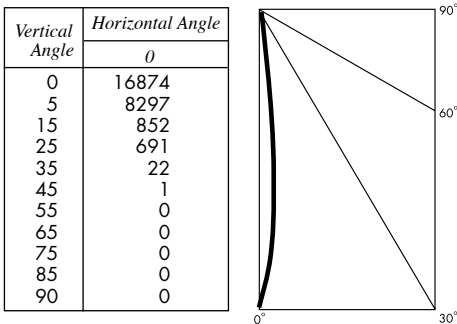
Luminaire ..... surface-mounted LED accent light with 10° reflector and open aperture (no lens)

Lamp ..... Cree LED 2000 lumens, 3000K CCT

Lamp Life ..... rated 50,000 hours based on L70/B50 criteria. LM80 report by LED manufacturer furnished upon request



### CANDLEPOWER DISTRIBUTION



### LUMINAIRE LIGHT OUTPUT AND EFFICACY

LED Module Type	Luminaire Light Output	Luminaire CBCP	Luminaire Efficacy (lms/watt)	System Wattage
1200 Lumens 80 CRI (L12S)	833*	9787*	83*	10
1500 Lumens 80 CRI (L15S)	1091*	12824*	78*	14
2000 Lumens 80 CRI (L20S)	1436	16874	72	20
900 Lumens 98 CRI (L09A)	632*	7425*	63*	10
1200 Lumens 98 CRI (L12A)	833*	9787*	59*	14
1500 Lumens 98 CRI (L15A)	1091*	12824*	55*	20

\*estimated values

## PHOTOMETRIC REPORT with 20° reflector and OX Cartridge (tested per IESNA LM-79-2008)

Leading Testing Laboratories Report No. UT18050006-05a. Original test report furnished upon request.

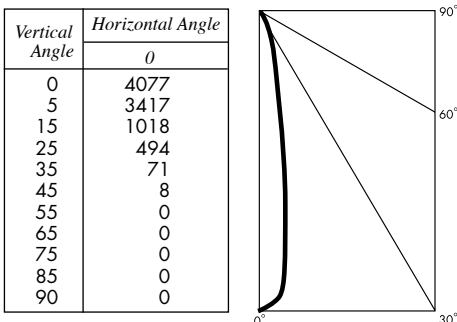
Luminaire ..... surface-mounted LED accent light with 20° reflector and black cross-baffle (no lens)

Lamp ..... Cree LED 2000 lumens, 3000K CCT

Lamp Life ..... rated 50,000 hours based on L70/B50 criteria. LM80 report by LED manufacturer furnished upon request



### CANDLEPOWER DISTRIBUTION



### LUMINAIRE LIGHT OUTPUT AND EFFICACY

LED Module Type	Luminaire Light Output	Luminaire CBCP	Luminaire Efficacy (lms/watt)	System Wattage
1200 Lumens 80 CRI (L12S)	664*	2503*	66*	10
1500 Lumens 80 CRI (L15S)	869*	3279*	62*	14
2000 Lumens 80 CRI (L20S)	1144	4315	58	20
900 Lumens 98 CRI (L09A)	503*	1899*	50*	10
1200 Lumens 98 CRI (L12A)	664*	2503*	47*	14
1500 Lumens 98 CRI (L15A)	869*	3279*	43*	20

\*estimated values

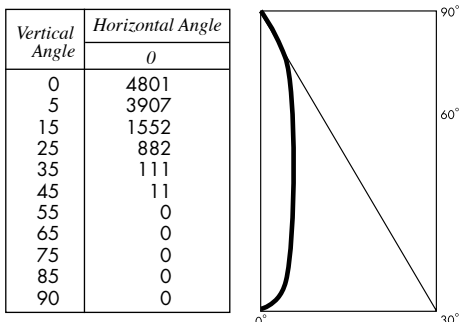
## PHOTOMETRIC REPORT with 20° reflector and OH Cartridge (tested per IESNA LM-79-2008)

Leading Testing Laboratories Report No. UT18050006-03a. Original test report furnished upon request.

Luminaire ..... surface-mounted LED accent light with 20° reflector and open aperture (no lens)  
 Lamp ..... Cree LED 2000 lumens, 3000K CCT  
 Lamp Life ..... rated 50.000 hours based on L70/B50 criteria. LM80 report by LED manufacturer furnished upon request



### CANDLEPOWER DISTRIBUTION



### LUMINAIRE LIGHT OUTPUT AND EFFICACY

LED Module Type	Luminaire Light Output	Luminaire CBCP	Luminaire Efficacy (lms/watt)	System Wattage
1200 Lumens 80 CRI (L12S)	802*	2805*	80*	10
1500 Lumens 80 CRI (L15S)	1050*	3675*	75*	14
2000 Lumens 80 CRI (L20S)	1382	4836	70	20
900 Lumens 98 CRI (L09A)	608*	2128*	61*	10
1200 Lumens 98 CRI (L12A)	802*	2805*	57*	14
1500 Lumens 98 CRI (L15A)	1050*	3675*	53*	20

\*estimated values

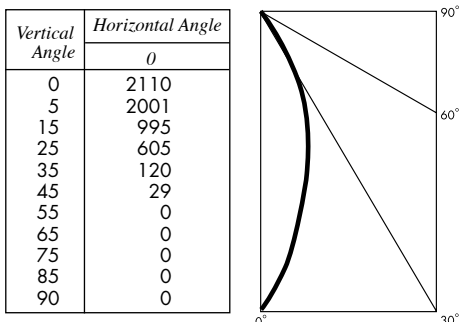
## PHOTOMETRIC REPORT with 36° reflector and OX Cartridge (tested per IESNA LM-79-2008)

Leading Testing Laboratories Report No. UT18050006-09a. Original test report furnished upon request.

Luminaire ..... surface-mounted LED accent light with 36° reflector and cross-baffle (no lens)  
 Lamp ..... Cree LED 2000 lumens, 3000K CCT  
 Lamp Life ..... rated 50.000 hours based on L70/B50 criteria. LM80 report by LED manufacturer furnished upon request



### CANDLEPOWER DISTRIBUTION



### LUMINAIRE LIGHT OUTPUT AND EFFICACY

LED Module Type	Luminaire Light Output	Luminaire CBCP	Luminaire Efficacy (lms/watt)	System Wattage
1200 Lumens 80 CRI (L12S)	588*	1270*	59*	10
1500 Lumens 80 CRI (L15S)	770*	1664*	55*	14
2000 Lumens 80 CRI (L20S)	1013	2189	52	20
900 Lumens 98 CRI (L09A)	446*	963*	45*	10
1200 Lumens 98 CRI (L12A)	588*	1270*	42*	14
1500 Lumens 98 CRI (L15A)	770*	1664*	38*	20

\*estimated values

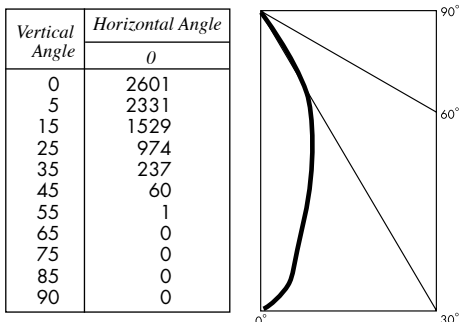
## PHOTOMETRIC REPORT with 36° reflector and OH Cartridge (tested per IESNA LM-79-2008)

Leading Testing Laboratories Report No. UT18050006-08a. Original test report furnished upon request.

Luminaire ..... surface-mounted LED accent light with 36° reflector and open aperture (no lens)  
 Lamp ..... Cree LED 2000 lumens, 3000K CCT  
 Lamp Life ..... rated 50.000 hours based on L70/B50 criteria. LM80 report by LED manufacturer furnished upon request



### CANDLEPOWER DISTRIBUTION



### LUMINAIRE LIGHT OUTPUT AND EFFICACY

LED Module Type	Luminaire Light Output	Luminaire CBCP	Luminaire Efficacy (lms/watt)	System Wattage
1200 Lumens 80 CRI (L12S)	766*	1540*	77*	10
1500 Lumens 80 CRI (L15S)	1003*	2019*	72*	14
2000 Lumens 80 CRI (L20S)	1320	2656	67	20
900 Lumens 98 CRI (L09A)	581*	1169*	58*	10
1200 Lumens 98 CRI (L12A)	766*	1540*	55*	14
1500 Lumens 98 CRI (L15A)	1003*	2019*	50*	20

\*estimated values