

Project

Type



Date

Product Code

Designer

ARTIMA®/2 W-OBM

surface mounted LED wallwasher



- The optical assembly consists of a hammer tone aluminum reflector and a 40° x 70° spread lens.
- Luminaire provides 385° horizontal rotation and vertical adjustment from 0° to 90°. Horizontal adjustment can be locked by tightening the upper collar clamp using a 1/8" hex key; vertical adjustment can be locked by tightening the lower collar clamp using a 3/32" hex key.
- For more information, [click here](#).

Artima/2 W-OBM is a wallwasher designed for mounting on a 4" octagonal outlet box (by others). Luminaire is powered by one of a number of Cree chip-on-board LED's. See tables below for wattages and efficacies.

PRODUCT CODE

For complete product code, list basic unit and select one item from each following box.

Basic Unit	A2-CLT-OB-W
Light Source Output (Lumens)	
900L / CRI 98	not available with 5000K - L09A
1200L	not available with 5000K - L12A
1500L	not available with 5000K - L15A
1200L / CRI 80+ - L12S
1500L - L15S
2000L - L20S
Light Color	
2700K - 27K
3000K - 30K
3500K - 35K
4000K - 40K
5000K	not available with all Light Outputs (see above)..... - 50K
Finish	
white: white paint, white lead cord, matte aluminum heat sink	- WH
black: black paint, black lead cord, black heat sink	- BL
Industrial Silver: silver paint, black lead cord, black heat sink	- SI
custom color: include physical chip with order and select one from below	
• white lead cord, matte aluminum heat sink	- CCW
• black lead cord, black heat sink	- CCB
• any other combination requires a special order	
Driver (DVP): Fixture includes a driver which is	
• dimmable to 5% with a an incandescent or electronic low voltage (ELV) dimming on 120-volt service – and –	
• dimmable to 1% with a 0-10V dimmer on 120-volt or 277-volt	



41-50 22ND STREET, LIC NY 11101

718.685.0700

www.epl.com

©Copyright, Edison Price Lighting 2019

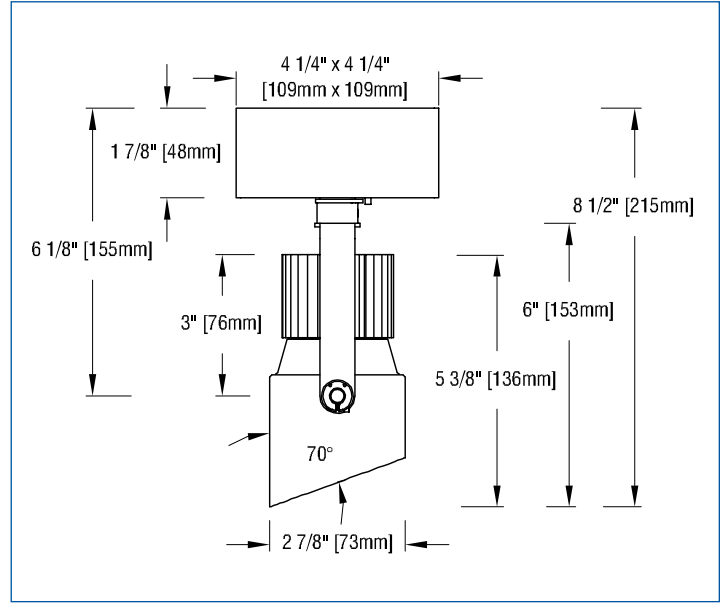
Artima is a registered trademark of Edison Price Lighting.

LED 0-191 11:19

APPLICATIONS

Luminaire is suitable for highlighting vertical surfaces in museums, galleries, showrooms, residences, offices and stores.

Luminaire is listed for Damp Location mounting on a standard 4" octagonal outlet box (by others).



PHOTOMETRIC REPORT (tested per IESNA LM-79-2008)

Leading Testing Laboratories Report No. UT18050006-010a. Original test report furnished upon request.

Luminaire surface-mounted LED wallwasher with internal reflector and lens and a specular hammer tone kicker reflector.

Lamp Cree LED 2000 lumens, 3000K CCT.

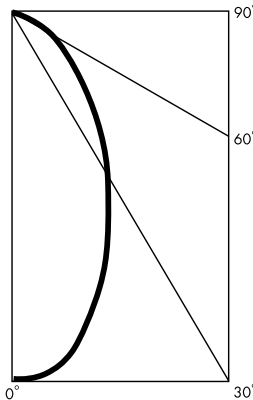
Lamp Life rated 50,000 hours based on L70/B50 criteria. LM80 report by LED manufacturer furnished upon request.

WALLWASH INFORMATION

Distance From Ceiling (Feet)	3' From Wall; 3' O.C. (2100 lumens)		3' 6" From Wall; 3' 6" O.C. (2100 lumens)	
	Below Fixture	Between Fixtures	Below Fixture	Between Fixtures
1	19	17	13	11
2	34	30	23	20
3	41	38	29	27
4	37	36	29	28
5	31	29	25	25
6	24	23	21	21
7	18	18	17	17
8	14	14	14	13
9	11	11	11	11
10	9	9	9	9
11	7	7	7	8
12	6	6	6	6

This table lists initial illuminance values at the center of a row of at least 5 fixtures with no contribution from ceiling or floor reflectance. Fixtures were modeled with maximum candlepower at 20° to 25° above vertical.

CANDLEPOWER DISTRIBUTION



LIGHT OUTPUT MULTIPLIER

(Based on 2000 lumens 80 CRI option)

LED Module Type	Light Output Multiplier
1200 Lumens 80 CRI (L12S)	0.58*
1500 Lumens 80 CRI (L15S)	0.76*
2000 Lumens 80 CRI (L20S)	1
900 Lumens 98 CRI (L09A)	0.44*
1200 Lumens 98 CRI (L12A)	0.58*
1500 Lumens 98 CRI (L15A)	0.76*

*estimated values

LUMINAIRE LIGHT OUTPUT AND EFFICACY

LED Module Type	Luminaire Light Output	Luminaire Efficacy (lms/watt)	System Wattage
1200 Lumens 80 CRI (L12S)	607*	61*	10
1500 Lumens 80 CRI (L15S)	795*	57*	14
2000 Lumens 80 CRI (L20S)	1046	52	20
900 Lumens 98 CRI (L09A)	460*	46*	10
1200 Lumens 98 CRI (L12A)	607*	43*	14
1500 Lumens 98 CRI (L15A)	795*	40*	20

*estimated values

STANDARD DRIVER INFORMATION (UL Class 2, dry and damp location)

Voltage	120	277
Input Watts (L12S/L15S/L20S/L09A/L12A/L15A)	10/14/20/10/14/20	10/14/20/10/14/20
Input Current(A) (L12S/L15S/L20S/L09A/L12A/L15A)	.08/12/17/08/12/17	.04/05/07/04/05/07
Output Current (mA)	350-700	350-700
Min. Power Factor	0.90	0.90
Operating Temperature Range (F)	-4 to 122	-4 to 122