

ARTIMA[®]/2 O

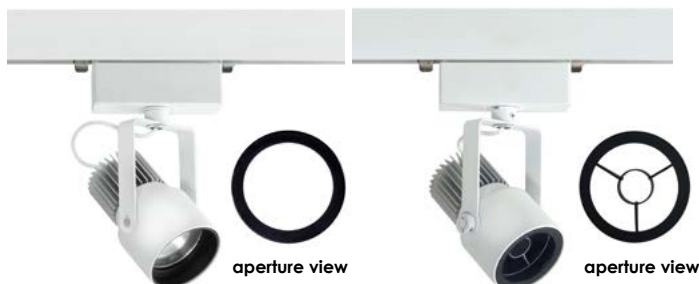
track mounted multi-function accent light



Artima/2 O with Cross Baffle (OX)

Artima/2 O is a track mounted accent light powered by one of a number of Cree chip-on-board LED's. See tables below for wattages and efficacies.

- Fixtures may be configured to mount to any of eighteen 20-amp, 12-volt [track systems](#) – or – to any of six 277-volt track systems.
- Fixture function can be changed with your choice of Quick Change Cartridge – which can be removed from the fixture easily – and your choice of 'twist and lock' reflector .
- Quick Change Cartridge /Reflector choices
 - Quick Change Cartridge with an open aperture (OH) for maximum efficacy; for use with 10°, 20° or 36° reflectors
 - Quick Change Cartridge with a cross baffle (OX) for enhanced glare control; for use with 20° or 36° reflectors
 - Quick Change Cartridge with a ring baffle (OG) for narrow spot control; for use with a 10° reflector
- Fixture is provided with a single Quick Change Cartridge and a single reflector. Additional Quick Change Cartridges and reflectors may be ordered as accessories.
- **Optical Accessories:** Each Quick Change Cartridge accepts one or two of a number of spread lenses, color filters and screens. A complimentary Beam Smoother is included.
- Horizontal adjustment can be locked by tightening the upper collar clamp using a 1/8" hex key; vertical adjustment can be locked by tightening the lower collar clamp using a 3/32" hex key.
- For more information, [click here](#).



Artima/2 O with Open Aperture (OH)

Artima/2 O with Ring Baffle (OG)

PRODUCT CODE

For complete product code, list basic unit and select one item from each following box.

Basic Unit	A2-CLT
Track Configuration	
120-volt track (e.g. SightLine)	- 2C
277-volt track (e.g. HighLine)	no switch; not dimmable - HC
Quick Change Cartridge	
Open Aperture	any reflector - OH
Cross Baffle	20° or 36° reflector - OX
Ring Baffle	10° reflector - OG
Reflector	
10° narrow spot	OG or OH Cartridge - 10D
20° spot	OH or OX Cartridge - 20D
36° flood	OH or OX Cartridge - 36D
Light Source Output (Lumens)	
900L / CRI 98	not available with 5000K - L09A
1200L	not available with 5000K - L12A
1500L	not available with 5000K - L15A
1200L / CRI 80+	- L12S
1500L	- L15S
2000L	- L20S
Light Color	
2700K	- 27K
3000K	- 30K
3500K	- 35K
4000K	- 40K
5000K	not available with all Light Outputs (see above) - 50K
Finish	
white: white paint, white lead cord, matte aluminum heat sink	- WH
black: black paint, black lead cord, black heat sink	- BL
Industrial Silver: silver paint, black lead cord, black heat sink	- SI
custom color: include paint number or physical chip with order and select one from below	
• white lead cord, matte aluminum heat sink, white switch (if any)	- CCW
• black lead cord, black heat sink, black switch (if any)	- CCB
• any other combination requires a special order	
Driver (DMP): Fixture includes a driver which is	
• dimmable to 5% with a incandescent or electronic low voltage (ELV) dimming on 120-volt track (2C) – and –	
• not dimmable at all on 277-volt track (HC).	

OPTIONS Specify by adding to the product code.

rocker type **on/off switch** in track adapter; for use on 120-volt track only; track adapter lengthened to 8"

white switch for white fixture; black for Silver or black fixture; white or black switch for custom color fixture, see Finish box above

EXTRA REFLECTORS & CARTRIDGES

Specify as separate line items.

Reflector	
10° narrow spot	A2-CLT-REF-10D
20° spot	A2-CLT-REF-20D
36° flood	A2-CLT-REF-36D
Quick Change Cartridge	
Open Aperture	any reflector - A2-CLT-OH
Cross Baffle	20° or 36° reflector - A2-CLT-OX
Ring Baffle	10° reflector - A2-CLT-OG

OPTICAL ACCESSORIES ▼ See next page



41-50 22ND STREET, LIC NY 11101

718.685.0700

www.epl.com

©Copyright, Edison Price Lighting 2019

Artima is a registered trademark of Edison Price Lighting.

TF 11-080 12:19

OPTICAL ACCESSORIES

Specify as separate line items.

All are 2 3/8" (60mm) dia. Lenses and filters are glass; screens are aluminum.

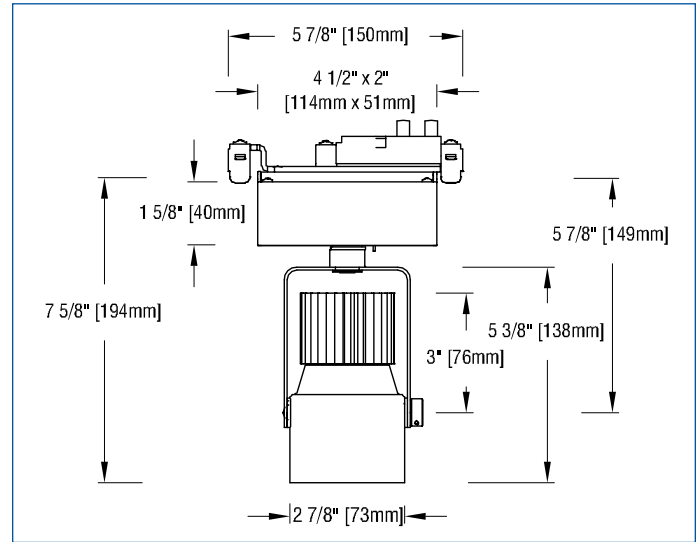
diffuse glass	DGS/2.375
prismatic lens (Solite)	PLS/2.375
55° spread lens	LENS/2.375
40° x 70° spread lens	LENS/2.375-4070
beam smoother	CLR/2.375
color filters	
Daylight Blue	DAY/2.375
Surprise Pink	PNK/2.375
amber	AMB/2.375
blue	BLU/2.375
green	GRN/2.375
red	RED/2.375
33% light reduction screen	SCR33/2.375
50% light reduction screen	SCR50/2.375

BARN DOORS

Specify as separate line items.

Specify with one optical accessory (not included), see above.

white	BD-A2-WH
black	BD-A2-BL
silver	BD-A2-SI
custom color	BD-A2-CC



Fixture Spacing Requirements The track adapter of this fixture is 6 1/8" long. For this reason 1) it cannot be track-mounted closer than 6 1/2" on center and 2) it cannot be used with 2 of our 7 **Unicep** single-fixture track units.

APPLICATIONS

Luminaire is suitable for highlighting vertical or horizontal surfaces, as well as objects in museums, galleries, showrooms, residences, offices and stores.

Luminaire is listed for mounting on Edison Price Lighting 120-volt or 277-volt track.

STANDARD DRIVER INFORMATION (UL Class 2, dry and damp location)

Voltage	120	277
Input Watts (L12S/L15S/L20S/L09A/L12A/L15A)	10/14/20/10/14/20	10/14/20/10/14/20
Input Current(A) (L12S/L15S/L20S/L09A/L12A/L15A)	.08/.12/.17/08/.12/.17	.04/.05/.07/04/.05/.07
Output Current (mA)	350-700	350-700
Min. Power Factor	0.90	0.90
Operating Temperature Range (F)	-4 to 122	-4 to 122

LIGHT OUTPUT MULTIPLIER

(Based on 2000 lumens 80 CRI option)

LED Module Type	Light Output Multiplier
1200 Lumens 80 CRI (L12S)	0.58*
1500 Lumens 80 CRI (L15S)	0.76*
2000 Lumens 80 CRI (L20S)	1
900 Lumens 98 CRI (L09A)	0.44*
1200 Lumens 98 CRI (L12A)	0.58*
1500 Lumens 98 CRI (L15A)	0.76*

*estimated values

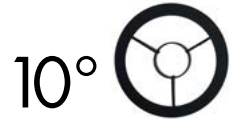
– photometrics continued below –



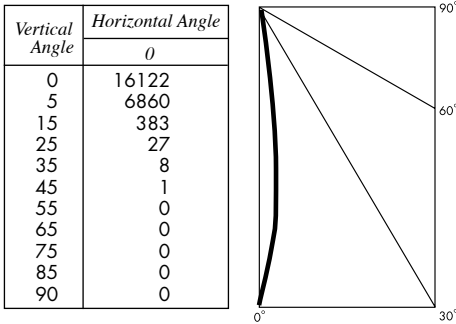
PHOTOMETRIC REPORT with 10° reflector and OG Cartridge (tested per IESNA LM-79-2008)

Leading Testing Laboratories Report No. UT18050006-01a. Original test report furnished upon request.

Luminaire track-mounted LED accent light with 10° reflector and black ring-baffle (no lens)
 Lamp Cree LED 2000 lumens, 3000K CCT
 Lamp Life rated 50.000 hours based on L70/B50 criteria. LM80 report by LED manufacturer furnished upon request



CANDLEPOWER DISTRIBUTION



LUMINAIRE LIGHT OUTPUT AND EFFICACY

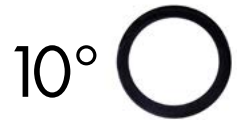
LED Module Type	Luminaire Light Output	Luminaire CBCP	Luminaire Efficacy (lms/watt)	System Wattage
1200 Lumens 80 CRI (L12S)	491*	9351*	49*	10
1500 Lumens 80 CRI (L15S)	643*	12253*	46*	14
2000 Lumens 80 CRI (L20S)	846	16122	43	20
900 Lumens 98 CRI (L09A)	372*	7094*	37*	10
1200 Lumens 98 CRI (L12A)	491*	9351*	35*	14
1500 Lumens 98 CRI (L15A)	643*	12253*	32*	20

*estimated values

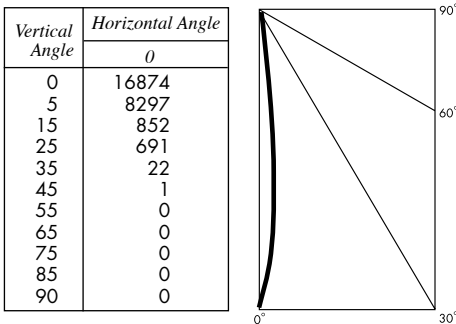
PHOTOMETRIC REPORT with 10° reflector and OH Cartridge (tested per IESNA LM-79-2008)

Leading Testing Laboratories Report No. UT18050006-02a. Original test report furnished upon request.

Luminaire track-mounted LED accent light with 10° reflector and open aperture (no lens)
 Lamp Cree LED 2000 lumens, 3000K CCT
 Lamp Life rated 50.000 hours based on L70/B50 criteria. LM80 report by LED manufacturer furnished upon request



CANDLEPOWER DISTRIBUTION



LUMINAIRE LIGHT OUTPUT AND EFFICACY

LED Module Type	Luminaire Light Output	Luminaire CBCP	Luminaire Efficacy (lms/watt)	System Wattage
1200 Lumens 80 CRI (L12S)	833*	9787*	83*	10
1500 Lumens 80 CRI (L15S)	1091*	12824*	78*	14
2000 Lumens 80 CRI (L20S)	1436	16874	72	20
900 Lumens 98 CRI (L09A)	632*	7425*	63*	10
1200 Lumens 98 CRI (L12A)	833*	9787*	59*	14
1500 Lumens 98 CRI (L15A)	1091*	12824*	55*	20

*estimated values

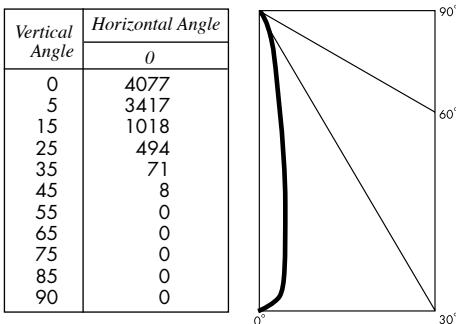
PHOTOMETRIC REPORT with 20° reflector and OX Cartridge (tested per IESNA LM-79-2008)

Leading Testing Laboratories Report No. UT18050006-05a. Original test report furnished upon request.

Luminaire track-mounted LED accent light with 20° reflector and black cross-baffle (no lens)
 Lamp Cree LED 2000 lumens, 3000K CCT
 Lamp Life rated 50.000 hours based on L70/B50 criteria. LM80 report by LED manufacturer furnished upon request



CANDLEPOWER DISTRIBUTION



LUMINAIRE LIGHT OUTPUT AND EFFICACY

LED Module Type	Luminaire Light Output	Luminaire CBCP	Luminaire Efficacy (lms/watt)	System Wattage
1200 Lumens 80 CRI (L12S)	664*	2503*	66*	10
1500 Lumens 80 CRI (L15S)	869*	3279*	62*	14
2000 Lumens 80 CRI (L20S)	1144	4315	58	20
900 Lumens 98 CRI (L09A)	503*	1899*	50*	10
1200 Lumens 98 CRI (L12A)	664*	2503*	47*	14
1500 Lumens 98 CRI (L15A)	869*	3279*	43*	20

*estimated values

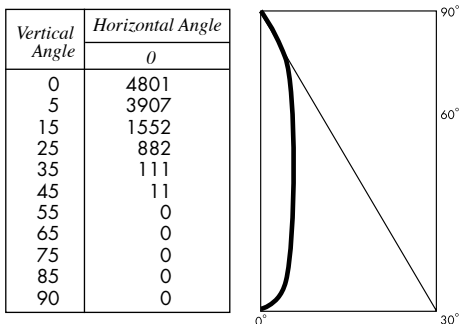
PHOTOMETRIC REPORT with 20° reflector and OH Cartridge (tested per IESNA LM-79-2008)

Leading Testing Laboratories Report No. UT18050006-03a. Original test report furnished upon request.

Luminaire track-mounted LED accent light with 20° reflector and open aperture (no lens)
 Lamp Cree LED 2000 lumens, 3000K CCT
 Lamp Life rated 50.000 hours based on L70/B50 criteria. LM80 report by LED manufacturer furnished upon request



CANDLEPOWER DISTRIBUTION



LUMINAIRE LIGHT OUTPUT AND EFFICACY

LED Module Type	Luminaire Light Output	Luminaire CBCP	Luminaire Efficacy (lms/watt)	System Wattage
1200 Lumens 80 CRI (L12S)	802*	2805*	80*	10
1500 Lumens 80 CRI (L15S)	1050*	3675*	75*	14
2000 Lumens 80 CRI (L20S)	1382	4836	70	20
900 Lumens 98 CRI (L09A)	608*	2128*	61*	10
1200 Lumens 98 CRI (L12A)	802*	2805*	57*	14
1500 Lumens 98 CRI (L15A)	1050*	3675*	53*	20

*estimated values

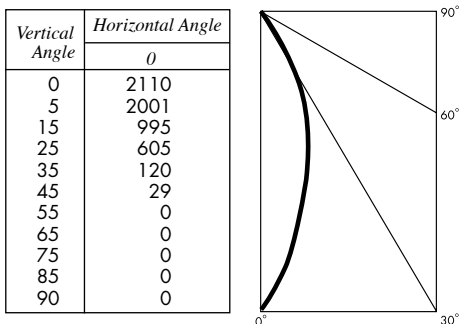
PHOTOMETRIC REPORT with 36° reflector and OX Cartridge (tested per IESNA LM-79-2008)

Leading Testing Laboratories Report No. UT18050006-09a. Original test report furnished upon request.

Luminaire track-mounted LED accent light with 36° reflector and cross-baffle (no lens)
 Lamp Cree LED 2000 lumens, 3000K CCT
 Lamp Life rated 50.000 hours based on L70/B50 criteria. LM80 report by LED manufacturer furnished upon request



CANDLEPOWER DISTRIBUTION



LUMINAIRE LIGHT OUTPUT AND EFFICACY

LED Module Type	Luminaire Light Output	Luminaire CBCP	Luminaire Efficacy (lms/watt)	System Wattage
1200 Lumens 80 CRI (L12S)	588*	1270*	59*	10
1500 Lumens 80 CRI (L15S)	770*	1664*	55*	14
2000 Lumens 80 CRI (L20S)	1013	2189	52	20
900 Lumens 98 CRI (L09A)	446*	963*	45*	10
1200 Lumens 98 CRI (L12A)	588*	1270*	42*	14
1500 Lumens 98 CRI (L15A)	770*	1664*	38*	20

*estimated values

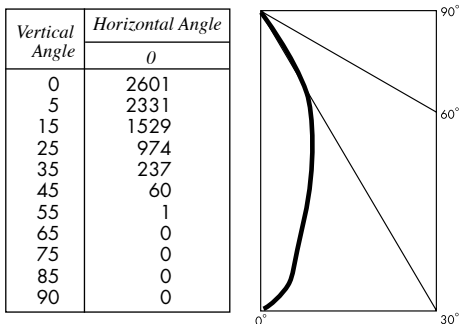
PHOTOMETRIC REPORT with 36° reflector and OH Cartridge (tested per IESNA LM-79-2008)

Leading Testing Laboratories Report No. UT18050006-08a. Original test report furnished upon request.

Luminaire track-mounted LED accent light with 36° reflector and open aperture (no lens)
 Lamp Cree LED 2000 lumens, 3000K CCT
 Lamp Life rated 50.000 hours based on L70/B50 criteria. LM80 report by LED manufacturer furnished upon request



CANDLEPOWER DISTRIBUTION



LUMINAIRE LIGHT OUTPUT AND EFFICACY

LED Module Type	Luminaire Light Output	Luminaire CBCP	Luminaire Efficacy (lms/watt)	System Wattage
1200 Lumens 80 CRI (L12S)	766*	1540*	77*	10
1500 Lumens 80 CRI (L15S)	1003*	2019*	72*	14
2000 Lumens 80 CRI (L20S)	1320	2656	67	20
900 Lumens 98 CRI (L09A)	581*	1169*	58*	10
1200 Lumens 98 CRI (L12A)	766*	1540*	55*	14
1500 Lumens 98 CRI (L15A)	1003*	2019*	50*	20

*estimated values