



# ARTIMA<sup>®</sup>/2 O-OBM BLUETOOTH

surface mounted wireless multi-function accent light



aperture view  
Artima/2 O-OBM Bluetooth  
with Cross Baffle (OX)

Artima/2 O-OBM Bluetooth is an accent light designed for mounting on a 4" octagonal outlet box (by others). Luminaire is powered by a Cree chip-on-board LED and equipped with a Xicato intelligent driver (XID). See tables below for wattages and efficacies.

- Luminaire is equipped with a Xicato Bluetooth Low Energy Intelligent Driver, controllable via a smart device with iOS or Windows based apps. Features include
  - standard Bluetooth Wireless connectivity
  - addressable individually
  - on/off control
  - dimming to 0.1%
  - data collection and storage for operating history
  - direct listening to switches and sensors
  - embedded Eddystone, iBeacon and/or AltBeacon beacons
- Fixture function can be changed with your choice of Quick Change Cartridge – which can be removed from the fixture easily – and your choice of 'twist and lock' reflector.
- Quick Change Cartridge /Reflector choices
  - Quick Change Cartridge with an open aperture (OH) for maximum efficacy; for use with 10°, 20° or 36° reflectors
  - Quick Change Cartridge with a cross baffle (OX) for enhanced glare control; for use with 20° or 36° reflectors
  - Quick Change Cartridge with a ring baffle (OG) for narrow spot control; for use with a 10° reflector
- Fixture is ordered with a single Quick Change Cartridge and a single reflector. Additional Quick Change Cartridges and reflectors may be ordered as accessories.
- **Optical Accessories:** Each Quick Change Cartridge accepts one or two of a number of spread lenses, color filters and screens. A complimentary Beam Smoother is included.
- **Horizontal adjustment can be locked** by tightening the upper collar clamp using a 1/8" hex key; vertical adjustment can be locked by tightening the lower collar clamp using a 3/32" hex key.
- For more information, [click here](#).



aperture view  
Artima/2 O-OBM Bluetooth  
with Open Aperture (OH)



aperture view  
Artima/2 O-OBM Bluetooth  
with Ring Baffle (OG)

## PRODUCT CODE

For complete product code, list basic unit and select one item from each following box.

Basic Unit .....	A2-CLT-XID-OB	
<b>Quick Change Cartridge</b>		
Open Aperture .....	any reflector .....	- OH
Cross Baffle .....	20° or 36° reflector .....	- OX
Ring Baffle .....	10° reflector .....	- OG
<b>Reflector</b>		
10° narrow spot .....	OG or OH Cartridge .....	- 10D
20° spot .....	OH or OX Cartridge .....	- 20D
36° flood .....	OH or OX Cartridge .....	- 36D
<b>Light Source Output (Lumens)</b>		
1200L / CRI 98 .....	not available with 5000K .....	- L12A
1500L .....	not available with 5000K .....	- L15A
1500L / CRI 80+ .....		- L15S
2000L .....		- L20S
<b>Light Color</b>		
2700K .....		- 27K
3000K .....		- 30K
3500K .....		- 35K
4000K .....		- 40K
5000K .....	not available with all Light Outputs (see above) .....	- 50K
<b>Finish</b>		
white: white paint, white lead cord, matte aluminum heat sink .....		- WH
black: black paint, black lead cord, black heat sink .....		- BL
Industrial Silver: silver paint, black lead cord, black heat sink .....		- SI
custom color: include physical chip with order and select one from below		
• white lead cord, matte aluminum heat sink .....		- CCW
• black lead cord, black heat sink .....		- CCB
• any other combination requires a special order		
<b>Circuit Limitations</b>		
Luminaire operates only on circuits with		
• no dimmer on the circuit – or –		
• a 0-10V dimmer on the circuit.		
<b>USB Key</b>		
To address this fixture from a Windows-based PC, laptop or tablet, a USB key (dongle) is required. Contact factory for USB key.		

## EXTRA REFLECTORS & CARTRIDGES

Specify as separate line items.

<b>Reflector</b>		
10° narrow spot .....	A2-CLT-REF-10D	
20° spot .....	A2-CLT-REF-20D	
36° flood .....	A2-CLT-REF-36D	
<b>Quick Change Cartridge</b>		
Open Aperture .....	any reflector .....	A2-CLT-OH
Cross Baffle .....	20° or 36° reflector .....	A2-CLT-OX
Ring Baffle .....	10° reflector .....	A2-CLT-OG

## OPTICAL ACCESSORIES ▼ See next page

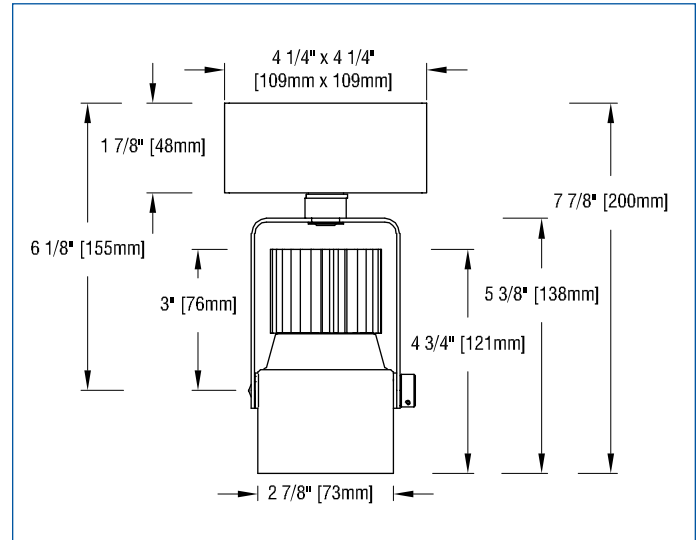


## OPTICAL ACCESSORIES

Specify as separate line items.

All are 2 3/8" (60mm) dia. Lenses and filters are glass; screens are aluminum.

<b>diffuse glass</b> .....	DGS/2.375
<b>prismatic lens (Solite)</b> .....	PLS/2.375
<b>55° spread lens</b> .....	LENS/2.375
<b>40° x 70° spread lens</b> .....	LENS/2.375-4070
<b>beam smoother</b> .....	CLR/2.375
<b>color filters</b>	
Daylight Blue .....	DAY/2.375
Surprise Pink .....	PNK/2.375
amber .....	AMB/2.375
blue .....	BLU/2.375
green .....	GRN/2.375
red .....	RED/2.375
<b>33% light reduction screen</b> .....	SCR33/2.375
<b>50% light reduction screen</b> .....	SCR50/2.375



## BARN DOORS

Specify as separate line items.

Specify with one optical accessory (not included), see above.

<b>white</b> .....	BD-A2-WH
<b>black</b> .....	BD-A2-BL
<b>silver</b> .....	BD-A2-SI
<b>custom color</b> .....	BD-A2-CC



## APPLICATIONS

Luminaire is suitable for highlighting vertical or horizontal surfaces, as well as objects in museums, galleries, showrooms, residences, offices and stores.

Luminaire is listed for Damp Location mounting on a standard 4" octagonal outlet box (by others).

### STANDARD DRIVER INFORMATION (UL Class 2, dry and damp location)

Voltage	120	277
Input Watts (L15S/L20S/L12A/L15A)	14/20/14/20	14/20/14/20
Input Current (A) (L15S/L20S/L12A/L15A)	12/17/12/17	.05/07/05/07
Output Current (mA)	500-700	500-700
Min. Power Factor	0.90	0.90
Operating Temperature Range (F)	-4 to 122	-4 to 122

### LIGHT OUTPUT MULTIPLIER

(Based on 2000 lumens 80 CRI option)

LED Module Type	Light Output Multiplier
1500 Lumens 80 CRI (L15S)	0.76*
2000 Lumens 80 CRI (L20S)	1
1200 Lumens 98 CRI (L12A)	0.58*
1500 Lumens 98 CRI (L15A)	0.76*

\*estimated values

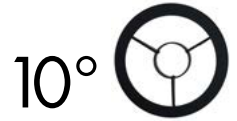
– photometrics continued below –



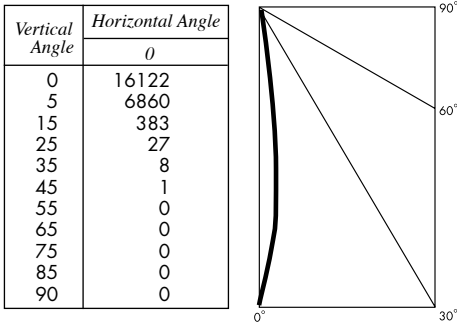
## PHOTOMETRIC REPORT with 10° reflector and OG Cartridge (tested per IESNA LM-79-2008)

Leading Testing Laboratories Report No. UT18050006-01a. Original test report furnished upon request.

Luminaire ..... surface-mounted LED accent light with 10° reflector and black ring-baffle (no lens)  
 Lamp ..... Cree LED 2000 lumens, 3000K CCT  
 Lamp Life ..... rated 50,000 hours based on L70/B50 criteria. LM80 report by LED manufacturer furnished upon request



### CANDLEPOWER DISTRIBUTION



### LUMINAIRE LIGHT OUTPUT AND EFFICACY

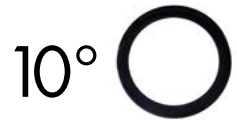
LED Module Type	Luminaire Light Output	Luminaire CBCP	Luminaire Efficacy (lms/watt)	System Wattage
1500 Lumens 80 CRI (L15S)	643*	12253*	46*	14
2000 Lumens 80 CRI (L20S)	846	16122	43	20
1200 Lumens 98 CRI (L12A)	491*	9351*	35*	14
1500 Lumens 98 CRI (L15A)	643*	12253*	32*	20

\*estimated values

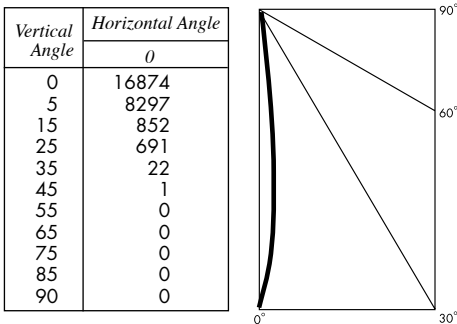
## PHOTOMETRIC REPORT with 10° reflector and OH Cartridge (tested per IESNA LM-79-2008)

Leading Testing Laboratories Report No. UT18050006-02a. Original test report furnished upon request.

Luminaire ..... surface-mounted LED accent light with 10° reflector and open aperture (no lens)  
 Lamp ..... Cree LED 2000 lumens, 3000K CCT  
 Lamp Life ..... rated 50,000 hours based on L70/B50 criteria. LM80 report by LED manufacturer furnished upon request



### CANDLEPOWER DISTRIBUTION



### LUMINAIRE LIGHT OUTPUT AND EFFICACY

LED Module Type	Luminaire Light Output	Luminaire CBCP	Luminaire Efficacy (lms/watt)	System Wattage
1500 Lumens 80 CRI (L15S)	1091*	12824*	78*	14
2000 Lumens 80 CRI (L20S)	1436	16874	72	20
1200 Lumens 98 CRI (L12A)	833*	9787*	59*	14
1500 Lumens 98 CRI (L15A)	1091*	12824*	55*	20

\*estimated values

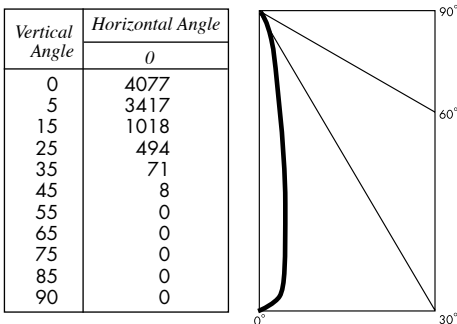
## PHOTOMETRIC REPORT with 20° reflector and OX Cartridge (tested per IESNA LM-79-2008)

Leading Testing Laboratories Report No. UT18050006-05a. Original test report furnished upon request.

Luminaire ..... surface-mounted LED accent light with 20° reflector and black cross-baffle (no lens)  
 Lamp ..... Cree LED 2000 lumens, 3000K CCT  
 Lamp Life ..... rated 50,000 hours based on L70/B50 criteria. LM80 report by LED manufacturer furnished upon request



### CANDLEPOWER DISTRIBUTION



### LUMINAIRE LIGHT OUTPUT AND EFFICACY

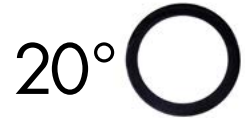
LED Module Type	Luminaire Light Output	Luminaire CBCP	Luminaire Efficacy (lms/watt)	System Wattage
1500 Lumens 80 CRI (L15S)	869*	3279*	62*	14
2000 Lumens 80 CRI (L20S)	1144	4315	58	20
1200 Lumens 98 CRI (L12A)	664*	2503*	47*	14
1500 Lumens 98 CRI (L15A)	869*	3279*	43*	20

\*estimated values

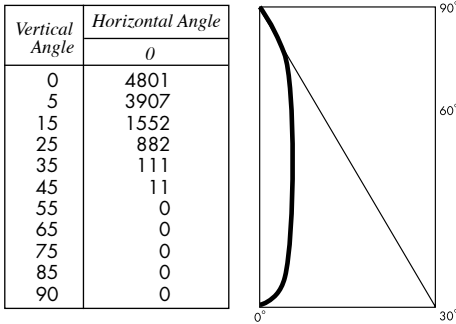
## PHOTOMETRIC REPORT with 20° reflector and OH Cartridge (tested per IESNA LM-79-2008)

Leading Testing Laboratories Report No. UT18050006-03a. Original test report furnished upon request.

Luminaire ..... surface-mounted LED accent light with 20° reflector and open aperture (no lens)  
 Lamp ..... Cree LED 2000 lumens, 3000K CCT  
 Lamp Life ..... rated 50.000 hours based on L70/B50 criteria. LM80 report by LED manufacturer furnished upon request



### CANDLEPOWER DISTRIBUTION



### LUMINAIRE LIGHT OUTPUT AND EFFICACY

LED Module Type	Luminaire Light Output	Luminaire CBCP	Luminaire Efficacy (lms/watt)	System Wattage
1500 Lumens 80 CRI (L15S)	1050*	3675*	75*	14
2000 Lumens 80 CRI (L20S)	1382	4836	70	20
1200 Lumens 98 CRI (L12A)	802*	2805*	57*	14
1500 Lumens 98 CRI (L15A)	1050*	3675*	53*	20

\*estimated values

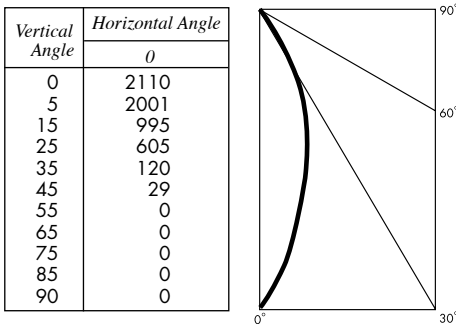
## PHOTOMETRIC REPORT with 36° reflector and OX Cartridge (tested per IESNA LM-79-2008)

Leading Testing Laboratories Report No. UT18050006-09a. Original test report furnished upon request.

Luminaire ..... surface-mounted LED accent light with 36° reflector and cross-baffle (no lens)  
 Lamp ..... Cree LED 2000 lumens, 3000K CCT  
 Lamp Life ..... rated 50.000 hours based on L70/B50 criteria. LM80 report by LED manufacturer furnished upon request



### CANDLEPOWER DISTRIBUTION



### LUMINAIRE LIGHT OUTPUT AND EFFICACY

LED Module Type	Luminaire Light Output	Luminaire CBCP	Luminaire Efficacy (lms/watt)	System Wattage
1500 Lumens 80 CRI (L15S)	770*	1664*	55*	14
2000 Lumens 80 CRI (L20S)	1013	2189	52	20
1200 Lumens 98 CRI (L12A)	588*	1270*	42*	14
1500 Lumens 98 CRI (L15A)	770*	1664*	38*	20

\*estimated values

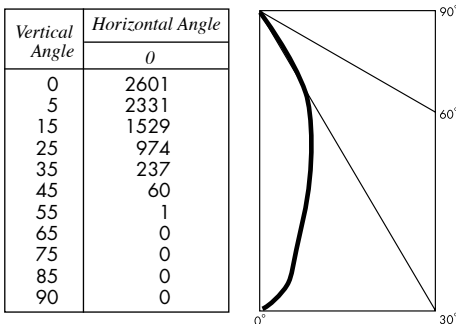
## PHOTOMETRIC REPORT with 36° reflector and OH Cartridge (tested per IESNA LM-79-2008)

Leading Testing Laboratories Report No. UT18050006-08a. Original test report furnished upon request.

Luminaire ..... surface-mounted LED accent light with 36° reflector and open aperture (no lens)  
 Lamp ..... Cree LED 2000 lumens, 3000K CCT  
 Lamp Life ..... rated 50.000 hours based on L70/B50 criteria. LM80 report by LED manufacturer furnished upon request



### CANDLEPOWER DISTRIBUTION



### LUMINAIRE LIGHT OUTPUT AND EFFICACY

LED Module Type	Luminaire Light Output	Luminaire CBCP	Luminaire Efficacy (lms/watt)	System Wattage
1500 Lumens 80 CRI (L15S)	1003*	2019*	72*	14
2000 Lumens 80 CRI (L20S)	1320	2656	67	20
1200 Lumens 98 CRI (L12A)	766*	1540*	55*	14
1500 Lumens 98 CRI (L15A)	1003*	2019*	50*	20

\*estimated values