

Project

Type



Date Product Code

Designer

# ARTIMA<sup>®</sup>/3 VN<sup>®</sup>SP BLUETOOTH

track mounted addressable LED very narrow spotlight



Artima/3 VN<sup>®</sup>SP Bluetooth with Ring Baffle (OG)

Artima/3 VN<sup>®</sup>SP Bluetooth with Open Aperture (OH)

Artima/3 VN<sup>®</sup>SP Bluetooth is a track mounted spotlight capable of 7° or 14° beam spreads. Luminaire is powered by one of a number of Cree chip-on-board LED modules. See tables below for wattages and efficacies.

- Luminaire is equipped with a Xicato Bluetooth Low Energy Intelligent Driver, controllable via a smart device with iOS or Windows based apps. Features include
  - standard Bluetooth Wireless connectivity
  - addressable individually
  - on/off control
  - dimming to 0.1%
  - data collection and storage for operating history
  - direct listening to switches and sensors
  - embedded Eddystone, iBeacon and/or AltBeacon beacons
- Fixtures may be configured to mount to any of eighteen 20-amp, 12-volt track systems – or – to any of six 277-volt track systems.
- Fixture function can be changed with your choice of Quick Change Cartridge – which can be removed from the fixture easily – and your choice of ‘twist and lock’ reflector.
- Quick Change Cartridge / Reflector choices
  - Quick Change Cartridge with a cross baffle (OG) for enhanced glare control; for use with a 7° or 14° reflector.
  - Quick Change Cartridge with an open aperture (OH) for maximum efficacy; for use with a 7° or 14° reflector.
- Fixture is provided with a single Quick Change Cartridge and a single reflector. Additional Quick Change Cartridges and reflectors may be ordered as accessories.
- Optical Accessories: Each Quick Change Cartridge accepts one or two of a number of spread lenses, color filters and screens. A complimentary beam smoother is included.
- Horizontal and vertical adjustment can be locked by tightening two collar clamps using a 3/32" hex key.
- For more information, [click here](#).

### USB Key

To address this fixture from a Windows-based PC, laptop or tablet, a USB key (dongle) is required. Contact factory for USB key.

For the outlet box mounted version, see [Artima/3 VN<sup>®</sup>SP-OBM Bluetooth](#).

## PRODUCT CODE

For complete product code, list basic unit and select one item from each following box.

Basic Unit .....	A3-CLT-XID
<b>Track Configuration</b>	
120-volt track (e.g. SightLine) .....	- 2C
277-volt track (e.g. HighLine) .....	- HC
<b>Quick Change Cartridge</b>	
Ring Baffle .....	- OG
Open Aperture .....	- OH
<b>Reflector (specify one to ship with fixture)</b>	
7° very narrow spot .....	- 7D
14° narrow spot .....	- 14D
<b>Light Source Output (Lumens)</b>	
1200 lumens / 98 CRI.....not available with 5000K .....	- L12A
1600 lumens.....not available with 5000K .....	- L16A
1500 lumens / 80+ CRI.....	- L15S
2200 lumens.....	- L22S
<b>Light Color</b>	
2700 K .....	- 27K
3000 K .....	- 30K
3500 K .....	- 35K
4000 K .....	- 40K
5000 K .....	- 50K

<b>Finish</b>	
white: white paint, white lead cord, matte aluminum heat sink .....	- WH
black: black paint, black lead cord, black heat sink .....	- BL
Industrial Silver: silver paint, black lead cord, black heat sink .....	- SI
custom color: include paint number or physical chip with order and select one from below	
• white lead cord, matte aluminum heat sink .....	- CCW
• black lead cord, black heat sink .....	- CCB
• any other combinations require a special order	

<b>Circuit Limitations</b>	
Luminaire operates only on track circuits with <u>no</u> dimmer on the circuit	

## OPTION

<b>Integral Dimmer:</b> rotary dimmer located in side of driver case; dims to 1% on 120 or 277 volt track; see detail below .....	- ID
---	------

## EXTRA REFLECTORS & CARTRIDGES

Specify as separate line items.

<b>Reflector</b>	
7° very narrow spot reflector .....	CLT-REF-7D
14° narrow spot reflector .....	CLT-REF-14D

<b>Quick Change Cartridge</b>	
Ring Baffle .....	RK-A3-CLT+OG
Open Aperture .....	RK-A3-CLT+OH

## OPTICAL ACCESSORIES ▼ See next page



## INTEGRAL DIMMER OPTION (ID)

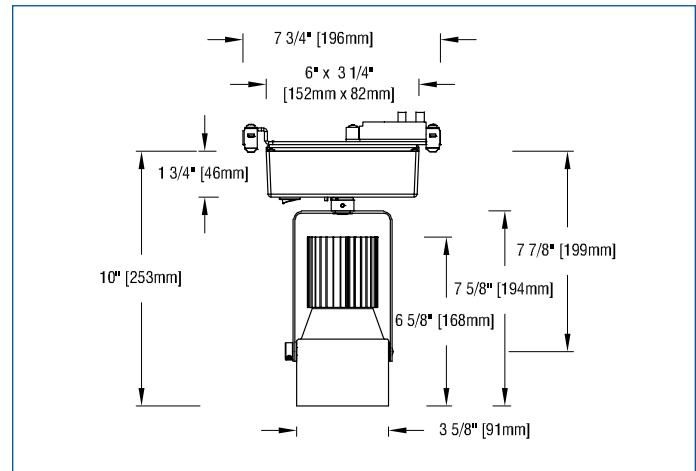
Integral rotary dimmer located in one side of the driver case: Dimmer control shaft is spring loaded, permitting shaft to be exposed for adjustment then depressed flush to conserve dimmer setting. "Clock face" markings permit registration of dimmer setting.



### OPTICAL ACCESSORIES

Specify as separate line items.  
All are 2 3/4" (70mm) dia. Lenses and filters are glass; screens are aluminum.

- diffuse glass .....DGS/2.75
- prismatic lens (Solite) ..... PLS/2.75
- 55° spread lens ..... LENS/2.75
- 40° x 70° spread lens ..... LENS/2.75-4070
- color filters
- Daylight Blue ..... DAY/2.75
- Surprise Pink ..... PNK/2.75
- blue ..... BLU/2.75
- green ..... GRN/2.75
- red ..... RED/2.75
- 33% light reduction screen .....SCR33/2.75
- 50% light reduction screen .....SCR50/2.75



### BARN DOORS

Specify as separate line items.  
Specify with one optical accessory (not included), see above.

- white ..... BD-A3-WH
- black ..... BD-A3-BL
- silver ..... BD-A3-SI
- custom color ..... BD-A3-CC

**Fixture Spacing Requirements** The track adapter of this fixture is as long as 7 3/4" long. For this reason 1) it cannot be track-mounted closer than 8" on center and 2) it cannot be used with 2 of our 7 Unicep single-fixture track units.

## APPLICATIONS

Luminaire is suitable for highlighting vertical or horizontal surfaces, as well as objects in museums, galleries, showrooms, residences, offices and stores.

Luminaire is listed for mounting on Edison Price Lighting 120-volt or 277-volt track.

### STANDARD DRIVER INFORMATION (UL Class 2, dry and damp location)

Voltage	120	277
Input Watts (L12A/16A/L15S/L22S lumens)	14/19	14/19
Input Current(A) (L12A/16A/L15S/L22S lumens)	.12/.16	.05/.07
Output Current (mA)	350-550	350-550
Min. Power Factor	0.90	0.90
Operating Temperature Range (F)	-13 to 122	-13 to 122

### LIGHT OUTPUT MULTIPLIER

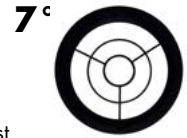
LED Module Type	Light Output Multiplier
L22S	1
L15S	0.71*
L16A	0.75*
L12A	0.53*

\*estimated values

– photometrics continued below –



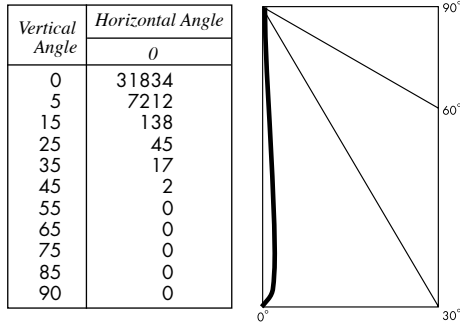
## PHOTOMETRIC REPORT with 7° reflector (tested per IESNA LM-79-2008)



**LT** Leading Testing Laboratories Report No. UT19030004-02a-R1. Original test report furnished upon request.

Luminaire ..... track-mounted LED accent light with 7° reflector and black ring baffle (NO LENS)  
 Lamp ..... Cree LED Module, 2200 lumens, 3000K  
 Lamp Life ..... Rated 50,000 hours based on L70/B50 criteria. LM80 report by LED manufacturer furnished upon request

### CANDLEPOWER DISTRIBUTION



### LUMINAIRE LIGHT OUTPUT AND EFFICACY

LED Module Type	Luminaire Light Output	Luminaire CBCP	Luminaire Efficacy (lms/watt)	System Wattage
L22S	729	31834	38	19
L15S	518*	22602*	37*	14
L16A	547*	23876*	29*	19
L12A	386*	16872*	28*	14

\*estimated values

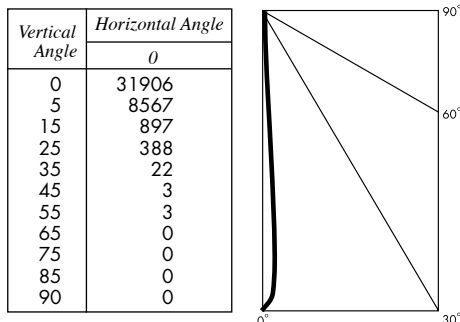
## PHOTOMETRIC REPORT with 7° reflector (tested per IESNA LM-79-2008)



**LT** Leading Testing Laboratories Report No. UT19030004-01a-R1. Original test report furnished upon request.

Luminaire ..... track-mounted LED accent light with 7° reflector and black lens holder (NO LENS)  
 Lamp ..... Cree LED Module, 2200 lumens, 3000K  
 Lamp Life ..... Rated 50,000 hours based on L70/B50 criteria. LM80 report by LED manufacturer furnished upon request

### CANDLEPOWER DISTRIBUTION



### LUMINAIRE LIGHT OUTPUT AND EFFICACY

LED Module Type	Luminaire Light Output	Luminaire CBCP	Luminaire Efficacy (lms/watt)	System Wattage
L22S	1234	31906	64	19
L15S	876*	22653*	63*	14
L16A	926*	23930*	49*	19
L12A	654*	16910*	47*	14

\*estimated values

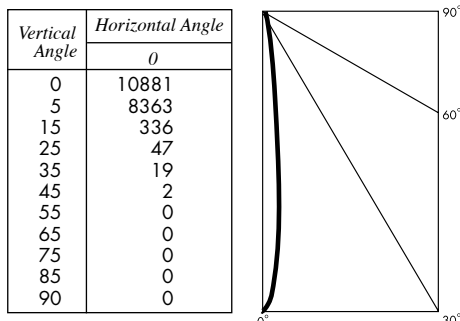
## PHOTOMETRIC REPORT with 14° reflector (tested per IESNA LM-79-2008)



**LT** Leading Testing Laboratories Report No. UT19030004-04a-R1. Original test report furnished upon request.

Luminaire ..... track-mounted LED accent light with 14° reflector and black ring baffle (NO LENS)  
 Lamp ..... Cree LED Module, 2200 lumens, 3000K  
 Lamp Life ..... Rated 50,000 hours based on L70/B50 criteria. LM80 report by LED manufacturer furnished upon request

### CANDLEPOWER DISTRIBUTION



### LUMINAIRE LIGHT OUTPUT AND EFFICACY

LED Module Type	Luminaire Light Output	Luminaire CBCP	Luminaire Efficacy (lms/watt)	System Wattage
L22S	719	10881	38	19
L15S	510*	7726*	36*	14
L16A	539*	8161*	28*	19
L12A	381*	5767*	27*	14

\*estimated values

**PHOTOMETRIC REPORT with 14° reflector** (tested per IESNA LM-79-2008)



Leading Testing Laboratories Report No. UT19030004-03a-R1. Original test report furnished upon request.

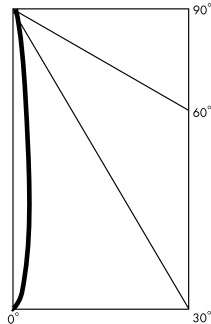
Luminaire ..... track-mounted LED accent light with 14° reflector and black lens holder (NO LENS)

Lamp ..... Cree LED Module, 2200 lumens, 3000K

Lamp Life ..... Rated 50,000 hours based on L70/B50 criteria. LM80 report by LED manufacturer furnished upon request

**CANDLEPOWER DISTRIBUTION**

Vertical Angle	Horizontal Angle
	0
0	13609
5	9791
15	1309
25	430
35	21
45	6
55	1
65	0
75	0
85	0
90	0



**LUMINAIRE LIGHT OUTPUT AND EFFICACY**

LED Module Type	Luminaire Light Output	Luminaire CBCP	Luminaire Efficacy (lms/watt)	System Wattage
L22S	1277	13609	67	19
L15S	907*	9662*	65*	14
L16A	958*	10207*	50*	19
L12A	677*	7213*	48*	14

\*estimated values