

Project

Type



MADE IN USA

[Click Here](#)

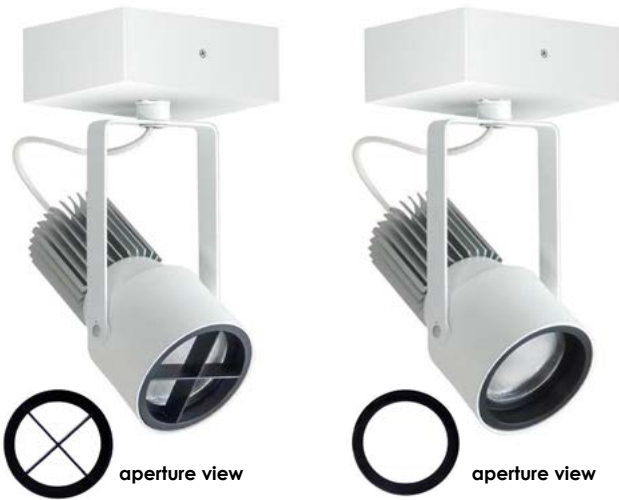
Date

Product Code

Designer

ARTIMA®/3 O-OBM BLUETOOTH

surface mounted wireless LED accent light



Artima/3 O OBM Bluetooth with Cross Baffle (OX)

Artima/3 O OBM Bluetooth with Open Aperture (OH)

- **Luminaire is equipped with a Xicato XIM Gen4 LED module, an IOT device with embedded micro-processor and Bluetooth Low Energy chip, controllable via a smart device with iOS or Windows based apps. Features include**
 - standard Bluetooth Wireless connectivity
 - addressable individually
 - on/off control
 - dimming to 0.1%. Combination with integral rotary dimmer available as modification.
 - data collection and storage for power consumption and LED performance
 - direct listening to switches and sensors
 - embedded Eddystone, iBeacon and/or AltBeacon beacons
- **Fixture function can be changed with your choice of Quick Change Cartridge** – which can be removed from the fixture easily – and your choice of ‘twist and lock’ [reflector](#).
- **Quick Change Cartridge / Reflector choices**
 - **Quick Change Cartridge with a cross baffle (OX)** for enhanced glare control; for use with 20° 40° or 60° reflectors
 - **Quick Change Cartridge with an open aperture (OH)** for maximum efficacy; for use with 20°, 40° or 60° reflectors
- **Fixture is provided with a single Quick Change Cartridge and a single reflector.** Additional Quick Change Cartridges and reflectors may be ordered as accessories.
- **Optical Accessories:** Each Quick Change Cartridge accepts one or two of a number of spread lenses, color filters and screens. A complimentary Beam Smoother is included.
- **Horizontal and vertical adjustment can be locked** by tightening two collar clamps using a 3/32" hex key.
- **For more information, [click here](#).**

USB Key

To address this fixture from a Windows-based PC, laptop or tablet, a USB key (dongle) is required. Contact factory for USB key.

Artima/3 O-OBM Bluetooth is an accent light designed for mounting on a 4" octagonal outlet box (by others). Fixture is powered by one of a number of 19mm Xicato LED modules. See tables below for watt-ages and efficacies.

PRODUCT CODE

For complete product code, list basic unit and select one item from each following box.

Basic Unit	A3-XIM-OB
Quick Change Cartridge	
Cross Baffle	- OX
Open Aperture	- OH
Reflector (specify one to ship with fixture)	
20° spot	- 20D
40° flood	- 40D
60° wide flood	- 60D
Light Source Output (Lumens)	
1300 lumens / CRI 98 Artist	- L13A
1300 lumens / CRI 80+ standard	- L13S
1300 lumens / CRI 80+ Vibrant	3000K only - L13V
2000 lumens / CRI 98 Artist.....	- L20A
2000 lumens / CRI 80+ standard	- L20S
2000 lumens / CRI 80+ Vibrant	3000K only - L20V
2700 lumens / CRI 80+ standard	- L27S
2700 lumens / CRI 80+ Vibrant	3000K only - L27V
Light Color	
2700 K.....	- 27K
3000 K.....	- 30K
3500 K	- 35K
4000 K.....	- 40K
Finish	
white: white paint, white lead cord, matte aluminum heat sink	- WH
black: black paint, black lead cord, black heat sink	- BL
Industrial Silver: silver paint, black lead cord, black heat sink	- SI
custom color: include physical chip with order and select one from below	
• white lead cord, matte aluminum heat sink	- CCW
• black lead cord, black heat sink	- CCB
• any other combinations require a special order	
Circuit Limitations	
Luminaire operates only on circuits with	
• no dimmer on the circuit – or –	
• a 0-10V dimmer on the circuit.	

EXTRA REFLECTORS & CARTRIDGES

Specify as separate line items.

Reflector	
20° spot reflector	XTM-REF20-72
40° spot reflector.....	XTM-REF40-72
60° spot reflector	XTM-REF60-72
Quick Change Cartridge	
Cross Baffle.....	A3-XTM-OX
Open Aperture	A3-XTM-OH

OPTICAL ACCESSORIES ▼ See next page



41-50 22ND STREET, LIC NY 11101 TEL 718.685.0700 FAX 718.786.8530 www.epl.com

©Copyright, Edison Price Lighting 2019

Artima is a registered trademark of Edison Price Lighting.

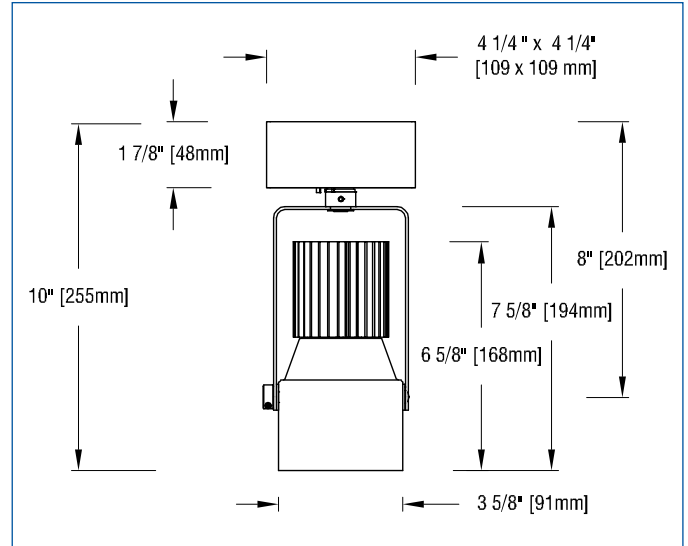
LED 0-242 8:19

OPTICAL ACCESSORIES

Specify as separate line items.

All are 2 3/4" (70mm) dia. Lenses and filters are glass; screens are aluminum.

diffuse glass	DGS/2.75
prismatic lens (Solite)	PLS/2.75
55° spread lens	LENS/2.75
40° x 70° spread lens	LENS/2.75-4070
beam smoother included with fixture	CLR/2.75
color filters	
Daylight Blue	DAY/2.75
Surprise Pink	PNK/2.75
amber	AMB/2.75
blue	BLU/2.75
green	GRN/2.75
red	RED/2.75
33% light reduction screen	SCR33/2.75
50% light reduction screen	SCR50/2.75



BARN DOORS

Specify as separate line items.

Specify with one optical accessory (not included), see above.

white	BD-A3-WH
black	BD-A3-BL
silver	BD-A3-SI
custom color	BD-A3-CC



APPLICATIONS

Luminaire is suitable for highlighting vertical or horizontal surfaces, as well as objects in museums, galleries, showrooms, residences, offices and stores.

Luminaire is suitable for 120-volt or 277-volt electrical service and listed for Damp Location mounting on a standard 4" octagonal outlet box (by others).

– see below for photometric reports –

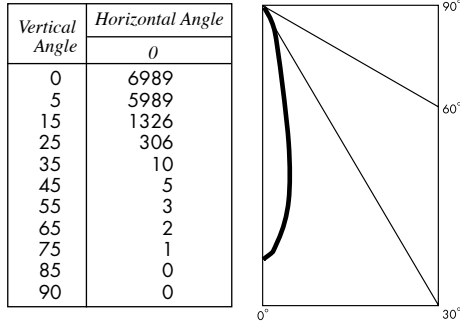


PHOTOMETRIC REPORT with 20° reflector (tested per IESNA LM-79-2008)

Prorated from Verification Services Report No. 1164149. Original test report furnished upon request.

Luminaire surface-mounted LED accent light with a 20° reflector and black cross-baffle (NO LENS)
 Lamp Xicato XIM (19mm) LED Module, 2000 lumens, 3000K, 80 CRI
 Lamp Life rated 50.000 hours based on L70/B50 criteria. LM80 report by LED manufacturer furnished upon request

CANDLEPOWER DISTRIBUTION



LUMINAIRE LIGHT OUTPUT AND EFFICACY

LED Module Type	Luminaire Light Output	Luminaire Efficacy (lms/watt)	System Wattage
1300 Lumens Artist	662*	34*	19
2000 Lumens Artist	1018*	32*	32
1300 Lumens standard & Vibrant	662*	44*	15
2000 Lumens standard & Vibrant	1018*	43*	24
2700 Lumens standard & Vibrant	1351*	42*	32

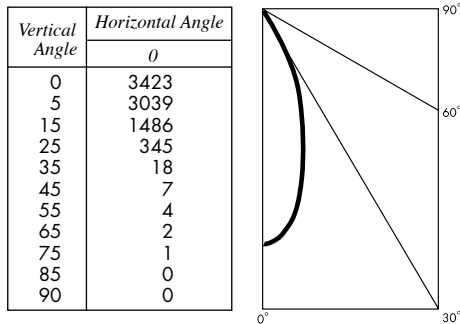
*estimated values

PHOTOMETRIC REPORT with 40° reflector (tested per IESNA LM-79-2008)

Prorated from Verification Services Report No. 1164150. Original test report furnished upon request.

Luminaire surface-mounted LED accent light with a 40° reflector and black cross-baffle (NO LENS)
 Lamp Xicato XIM (19mm) LED Module, 2000 lumens, 3000K, 80 CRI Lamp Life see above

CANDLEPOWER DISTRIBUTION



LUMINAIRE LIGHT OUTPUT AND EFFICACY

LED Module Type	Luminaire Light Output	Luminaire Efficacy (lms/watt)	System Wattage
1300 Lumens Artist	564*	29*	19
2000 Lumens Artist	868*	27*	32
1300 Lumens standard & Vibrant	564*	37*	15
2000 Lumens standard & Vibrant	868*	36*	24
2700 Lumens standard & Vibrant	1152*	36*	32

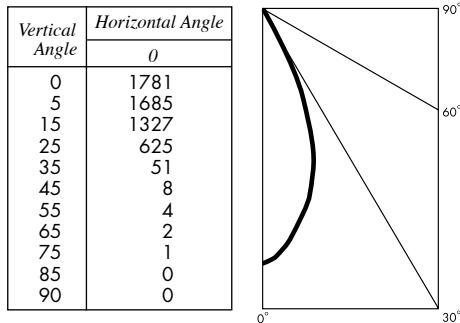
*estimated values

PHOTOMETRIC REPORT with 60° reflector (tested per IESNA LM-79-2008)

Prorated from Verification Services Report No. 1164151. Original test report furnished upon request.

Luminaire surface-mounted LED accent light with a 60° reflector and black cross-baffle (NO LENS)
 Lamp Xicato XIM (19mm) LED Module, 2000 lumens, 3000K, 80 CRI Lamp Life see above

CANDLEPOWER DISTRIBUTION



LUMINAIRE LIGHT OUTPUT AND EFFICACY

LED Module Type	Luminaire Light Output	Luminaire Efficacy (lms/watt)	System Wattage
1300 Lumens Artist	563*	29*	19
2000 Lumens Artist	866*	27*	32
1300 Lumens standard & Vibrant	563*	37*	15
2000 Lumens standard & Vibrant	866*	36*	24
2700 Lumens standard & Vibrant	1149*	36*	32

*estimated values

STANDARD DRIVER INFORMATION (UL Class 2, dry and damp location)

Voltage	120	277
Input Watts (1300A/2000A/1300S&V/2000S&V/2700S&V lumens)	19/32/15/24/32	19/32/15/24/32
Input Current(A) (1300A/2000A/1300S&V/2000S&V/2700S&V lumens)	.16/.27/13/.20/.27	.07/12/05/09/12
Min. Power Factor	0.90	0.90
Operating Temperature Range (F)	-13 to 122	-13 to 122

LIGHT OUTPUT MULTIPLIER

LED Module Type	Light Output Multiplier
1300 Lumens Artist	.65*
2000 Lumens Artist	1
1300 Lumens standard & Vibrant	.65*
2000 Lumens standard & Vibrant	1
2700 Lumens standard & Vibrant	1.33*

*estimated values