

Project

Type



MADE IN USA

[Click Here](#)

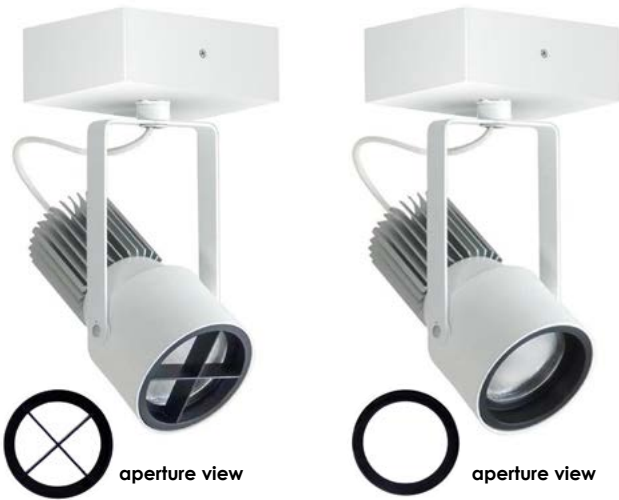
Date

Product Code

Designer

# ARTIMA®/3 O-OBM BLUETOOTH

surface mounted wireless LED accent light



Artima/3 O OBM Bluetooth with Cross Baffle (OX)

Artima/3 O OBM Bluetooth with Open Aperture (OH)

- **Luminaire is equipped with a Xicato XIM Gen4 LED module, an IOT device with embedded micro-processor and Bluetooth Low Energy chip, controllable via a smart device with iOS or Windows based apps. Features include**
  - standard Bluetooth Wireless connectivity
  - addressable individually
  - on/off control
  - dimming to 0.1%. Combination with integral rotary dimmer available as modification.
  - data collection and storage for power consumption and LED performance
  - direct listening to switches and sensors
  - embedded Eddystone, iBeacon and/or AltBeacon beacons
- **Fixture function can be changed with your choice of Quick Change Cartridge** – which can be removed from the fixture easily – and your choice of ‘twist and lock’ [reflector](#).
- **Quick Change Cartridge / Reflector choices**
  - **Quick Change Cartridge with a cross baffle (OX)** for enhanced glare control; for use with 20° 40° or 60° reflectors
  - **Quick Change Cartridge with an open aperture (OH)** for maximum efficacy; for use with 20°, 40° or 60° reflectors
- **Fixture is provided with a single Quick Change Cartridge and a single reflector.** Additional Quick Change Cartridges and reflectors may be ordered as accessories.
- **Optical Accessories:** Each Quick Change Cartridge accepts one or two of a number of spread lenses, color filters and screens. A complimentary Beam Smoother is included.
- **Horizontal and vertical adjustment can be locked** by tightening two collar clamps using a 3/32" hex key.
- **For more information, [click here](#).**

### USB Key

To address this fixture from a Windows-based PC, laptop or tablet, a USB key (dongle) is required. Contact factory for USB key.

Artima/3 O-OBM Bluetooth is an accent light designed for mounting on a 4" octagonal outlet box (by others). Fixture is powered by one of a number of 19mm Xicato LED modules. See tables below for watt-ages and efficacies.

## PRODUCT CODE

For complete product code, list basic unit and select one item from each following box.

<b>Basic Unit</b> .....	A3-XIM-OB
<b>Quick Change Cartridge</b>	
Cross Baffle .....	- OX
Open Aperture .....	- OH
<b>Reflector (specify one to ship with fixture)</b>	
20° spot .....	- 20D
40° flood .....	- 40D
60° wide flood .....	- 60D
<b>Light Source Output (Lumens)</b>	
1300 lumens / CRI 98 Artist .....	- L13A
1300 lumens / CRI 80+ standard .....	- L13S
1300 lumens / CRI 80+ Vibrant .....	3000K only - L13V
2000 lumens / CRI 98 Artist.....	- L20A
2000 lumens / CRI 80+ standard .....	- L20S
2000 lumens / CRI 80+ Vibrant .....	3000K only - L20V
2700 lumens / CRI 80+ standard .....	- L27S
2700 lumens / CRI 80+ Vibrant .....	3000K only - L27V
<b>Light Color</b>	
2700 K.....	- 27K
3000 K.....	- 30K
3500 K .....	- 35K
4000 K.....	- 40K
<b>Finish</b>	
white: white paint, white lead cord, matte aluminum heat sink .....	- WH
black: black paint, black lead cord, black heat sink .....	- BL
Industrial Silver: silver paint, black lead cord, black heat sink .....	- SI
custom color: include physical chip with order and select one from below	
• white lead cord, matte aluminum heat sink .....	- CCW
• black lead cord, black heat sink .....	- CCB
• any other combinations require a special order	
<b>Circuit Limitations</b>	
Luminaire operates only on circuits with	
• no dimmer on the circuit – or –	
• a 0-10V dimmer on the circuit.	

## EXTRA REFLECTORS & CARTRIDGES

Specify as separate line items.

<b>Reflector</b>	
20° spot reflector .....	XTM-REF20-72
40° spot reflector.....	XTM-REF40-72
60° spot reflector .....	XTM-REF60-72
<b>Quick Change Cartridge</b>	
Cross Baffle.....	A3-XTM-OX
Open Aperture .....	A3-XTM-OH

## OPTICAL ACCESSORIES ▼ See next page



41-50 22<sup>ND</sup> STREET, LIC NY 11101 TEL 718.685.0700 FAX 718.786.8530 www.epl.com

©Copyright, Edison Price Lighting 2019

Artima is a registered trademark of Edison Price Lighting.

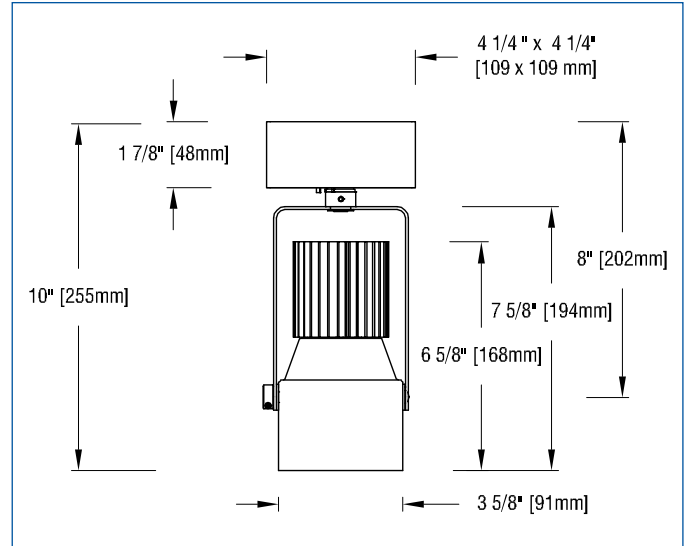
LED 0-242 8:19

## OPTICAL ACCESSORIES

Specify as separate line items.

All are 2 3/4" (70mm) dia. Lenses and filters are glass; screens are aluminum.

<b>diffuse glass</b> .....	DGS/2.75
<b>prismatic lens</b> (Solite) .....	PLS/2.75
<b>55° spread lens</b> .....	LENS/2.75
<b>40° x 70° spread lens</b> .....	LENS/2.75-4070
<b>beam smoother</b> .....	CLR/2.75
<b>color filters</b>	
Daylight Blue .....	DAY/2.75
Surprise Pink .....	PNK/2.75
amber .....	AMB/2.75
blue .....	BLU/2.75
green .....	GRN/2.75
red .....	RED/2.75
<b>33% light reduction screen</b> .....	SCR33/2.75
<b>50% light reduction screen</b> .....	SCR50/2.75



## BARN DOORS

Specify as separate line items.

Specify with one optical accessory (not included), see above.

<b>white</b> .....	BD-A3-WH
<b>black</b> .....	BD-A3-BL
<b>silver</b> .....	BD-A3-SI
<b>custom color</b> .....	BD-A3-CC



## APPLICATIONS

Luminaire is suitable for highlighting vertical or horizontal surfaces, as well as objects in museums, galleries, showrooms, residences, offices and stores.

Luminaire is suitable for 120-volt or 277-volt electrical service and listed for Damp Location mounting on a standard 4" octagonal outlet box (by others).

– see below for photometric reports –

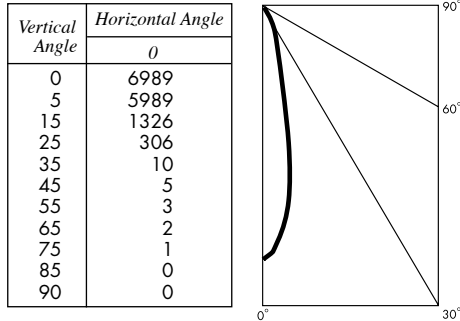


## PHOTOMETRIC REPORT with 20° reflector (tested per IESNA LM-79-2008)

Prorated from Verification Services Report No. 1164149. Original test report furnished upon request.

Luminaire ..... surface-mounted LED accent light with a 20° reflector and black cross-baffle (NO LENS)  
 Lamp ..... Xicato XIM (19mm) LED Module, 2000 lumens, 3000K, 80 CRI  
 Lamp Life ..... rated 50.000 hours based on L70/B50 criteria. LM80 report by LED manufacturer furnished upon request

### CANDLEPOWER DISTRIBUTION



### LUMINAIRE LIGHT OUTPUT AND EFFICACY

LED Module Type	Luminaire Light Output	Luminaire Efficacy (lms/watt)	System Wattage
1300 Lumens Artist	662*	34*	19
2000 Lumens Artist	1018*	32*	32
1300 Lumens standard & Vibrant	662*	44*	15
2000 Lumens standard & Vibrant	1018*	43*	24
2700 Lumens standard & Vibrant	1351*	42*	32

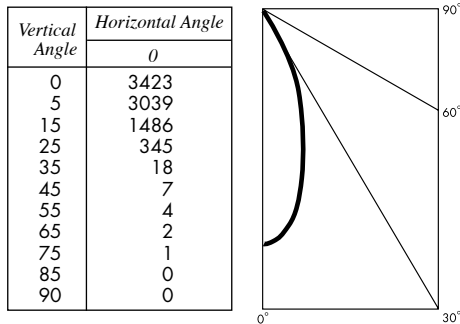
\*estimated values

## PHOTOMETRIC REPORT with 40° reflector (tested per IESNA LM-79-2008)

Prorated from Verification Services Report No. 1164150. Original test report furnished upon request.

Luminaire ..... surface-mounted LED accent light with a 40° reflector and black cross-baffle (NO LENS)  
 Lamp ..... Xicato XIM (19mm) LED Module, 2000 lumens, 3000K, 80 CRI      Lamp Life ..... see above

### CANDLEPOWER DISTRIBUTION



### LUMINAIRE LIGHT OUTPUT AND EFFICACY

LED Module Type	Luminaire Light Output	Luminaire Efficacy (lms/watt)	System Wattage
1300 Lumens Artist	564*	29*	19
2000 Lumens Artist	868*	27*	32
1300 Lumens standard & Vibrant	564*	37*	15
2000 Lumens standard & Vibrant	868*	36*	24
2700 Lumens standard & Vibrant	1152*	36*	32

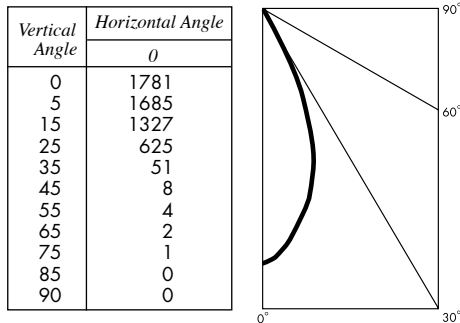
\*estimated values

## PHOTOMETRIC REPORT with 60° reflector (tested per IESNA LM-79-2008)

Prorated from Verification Services Report No. 1164151. Original test report furnished upon request.

Luminaire ..... surface-mounted LED accent light with a 60° reflector and black cross-baffle (NO LENS)  
 Lamp ..... Xicato XIM (19mm) LED Module, 2000 lumens, 3000K, 80 CRI      Lamp Life ..... see above

### CANDLEPOWER DISTRIBUTION



### LUMINAIRE LIGHT OUTPUT AND EFFICACY

LED Module Type	Luminaire Light Output	Luminaire Efficacy (lms/watt)	System Wattage
1300 Lumens Artist	563*	29*	19
2000 Lumens Artist	866*	27*	32
1300 Lumens standard & Vibrant	563*	37*	15
2000 Lumens standard & Vibrant	866*	36*	24
2700 Lumens standard & Vibrant	1149*	36*	32

\*estimated values

## STANDARD DRIVER INFORMATION (UL Class 2, dry and damp location)

Voltage	120	277
Input Watts (1300A/2000A/1300S&V/2000S&V/2700S&V lumens)	19/32/15/24/32	19/32/15/24/32
Input Current(A) (1300A/2000A/1300S&V/2000S&V/2700S&V lumens)	.16/.27/13/.20/.27	.07/12/05/09/12
Min. Power Factor	0.90	0.90
Operating Temperature Range (F)	-13 to 122	-13 to 122

## LIGHT OUTPUT MULTIPLIER

LED Module Type	Light Output Multiplier
1300 Lumens Artist	.65*
2000 Lumens Artist	1
1300 Lumens standard & Vibrant	.65*
2000 Lumens standard & Vibrant	1
2700 Lumens standard & Vibrant	1.33*

\*estimated values