

Project

Date

Product Code

Type

Designer



# ARTIMA<sup>®</sup>/3 XTM O

track mounted LED accent light



Artima/3 O with Cross Baffle (OX)    Artima/3 O with Open Aperture (OH)



aperture view



aperture view

Artima/3 XTM O is a track mounted accent light powered by one of a number of 19mm Xicato LED modules. See tables below for wattages and efficacies.

- Fixtures may be configured to mount to any of eighteen 20-amp, 12-volt [track systems](#) – or – to any of six 277-volt track systems.
- Fixture function can be changed with your choice of Quick Change Cartridge – which can be removed from the fixture easily – and your choice of ‘twist and lock’ [reflector](#).
- Quick Change Cartridge / Reflector choices
  - Quick Change Cartridge with a cross baffle (OX) for enhanced glare control; for use with a 20° 40° or 60° reflector
  - Quick Change Cartridge with an open aperture (OH) for maximum efficacy; for use with a 20°, 40° or 60° reflector
- Fixture is provided with a single Quick Change Cartridge and a single reflector. Additional Quick Change Cartridges and reflectors may be ordered as accessories.
- Fixture may be ordered with one of a number of drivers. An on-off rocker switch, mounted in the driver case, is included on 120-volt fixtures.
- [Optical Accessories](#): Each Quick Change Cartridge accepts one or two of a number of spread lenses, color filters and screens. A complimentary Beam Smoother is included.
- Horizontal and vertical adjustment can be locked by tightening two collar clamps using a 3/32" hex key.
- For more information, [click here](#).

For an outlet box mounted model, see [Artima/3 XTM O-OBM](#).

## PRODUCT CODE

For complete product code, list basic unit and select one item from each following box.

Basic Unit .....	A3-XTM
<b>Track Configuration</b>	
120-volt track (e.g. SightLine) .....	- 2C
277-volt track (e.g. HighLine) .....	- HC
<b>Quick Change Cartridge</b>	
Cross Baffle .....	- OX
Open Aperture .....	- OH
<b>Reflector (specify one to ship with fixture)</b>	
20° spot .....	- 20D
40° flood .....	- 40D
60° wide flood .....	- 60D
<b>Driver</b>	
dimmable to 10% (see Light Output box below) with electronic low voltage (ELV) dimmer on 120-volt track only; seamless driver case, pictured, measures 7" x 2" x 1 5/8" .....	
	- DME
dimmable to 5% (see Light Output box below) with either incandescent or ELV dimmer on 120-volt track only, seamless driver case, pictured, measures 7" x 2" x 1 5/8" .....	
	- DMP
dimmable to 1% with a Lutron® incandescent dimmer on 120-volt track only, seamless driver case measures 5 3/4" x 3 5/8" x 1 5/8" .....	
	- DMI-LU
For a model that dims wirelessly, see <a href="#">Artima/3 XTM O Bluetooth</a>	

<b>Light Source Output (Lumens)</b>	
1300L / CRI 98 Artist .....	DMP( 5% ) ..... - L13A
2100L / CRI 98 .....	DMP( 5% ) ..... - L21A
3000L / CRI 98 .....	DME(10%) ..... - L30A
1500L / CRI 90 Designer .....	DMP( 5% ) ..... - L15H
2100L / CRI 90 .....	DMP( 5% ) ..... - L21H
3000L / CRI 90 .....	DMP( 5% ) ..... - L30H
3500L / CRI 90 .....	2700K not available ..... DME(10%) ..... - L35H
1500L / CRI 80+ Vibrant ..... 3000K only .....	DMP( 5% ) ..... - L15V
2100L / CRI 80+ ..... 3000K only .....	DMP( 5% ) ..... - L21V
3000L / CRI 80+ ..... 3000K only .....	DMP( 5% ) ..... - L30V
3900L / CRI 80+ ..... 3000K only .....	DME(10%) ..... - L39V
1500L / CRI 80+ standard .....	DMP( 5% ) ..... - L15S
2100L / CRI 80+ .....	DMP( 5% ) ..... - L21S
3000L / CRI 80+ .....	DMP( 5% ) ..... - L30S
3900L / CRI 80+ .....	DME(10%) ..... - L39S

<b>Light Color</b>	
2700 K .....	- 27K
3000 K .....	- 30K
3500 K .....	- 35K
4000 K .....	- 40K

<b>Finish</b>	
white: white paint, white lead cord, matte aluminum heat sink; white switch .....	- WH
black: black paint, black lead cord, black heat sink; black switch .....	- BL
Industrial Silver: silver paint, black lead cord, black heat sink; black switch .....	- SI
custom color: include paint number or physical chip with order and select one from below	
• white lead cord, matte aluminum heat sink; white switch .....	- CCW
• black lead cord, black heat sink; black switch .....	- CCB
• any other combinations require a special order	

## EXTRA REFLECTORS & CARTRIDGES

Specify as separate line items.

<b>Reflector</b>	
20° spot reflector .....	XTM-REF20-72
40° spot reflector .....	XTM-REF40-72
60° spot reflector .....	XTM-REF60-72
<b>Quick Change Cartridge</b>	
Cross Baffle .....	A3-XTM-OX
Open Aperture .....	A3-XTM-OH

## OPTICAL ACCESSORIES ▼ See next page



41-50 22<sup>ND</sup> STREET, LIC NY 11101 TEL 718.685.0700 FAX 718.786.8530 www.epl.com

©Copyright, Edison Price Lighting 2020  
Artima is a registered trademark of Edison Price Lighting.

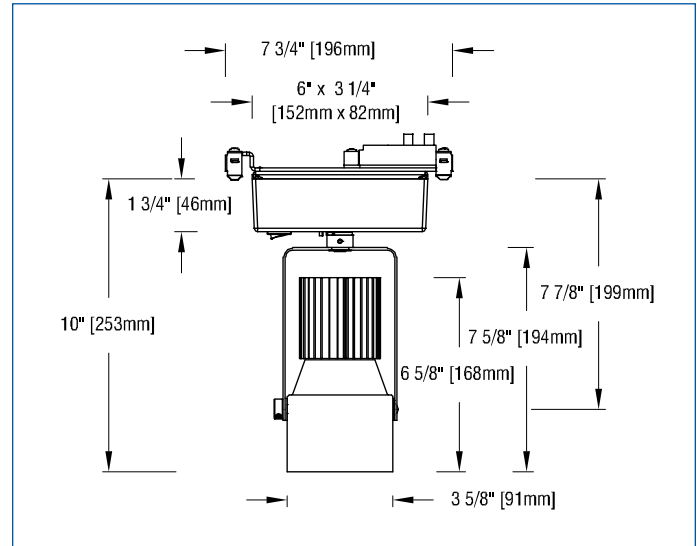
TF 11-160 2:20

## OPTICAL ACCESSORIES

Specify as separate line items.

All are 2 3/4" (70mm) dia. Lenses and filters are glass; screens are aluminum.

<b>diffuse glass</b> .....	DGS/2.75
<b>prismatic lens (Solite)</b> .....	PLS/2.75
<b>55° spread lens</b> .....	LENS/2.75
<b>40° x 70° spread lens</b> .....	LENS/2.75-4070
<b>beam smoother</b> .....	CLR/2.75
<b>color filters</b>	
Daylight Blue .....	DAY/2.75
Surprise Pink .....	PNK/2.75
amber .....	AMB/2.75
blue .....	BLU/2.75
green .....	GRN/2.75
red .....	RED/2.75
<b>33% light reduction screen</b> .....	SCR33/2.75
<b>50% light reduction screen</b> .....	SCR50/2.75



## BARN DOORS

Specify as separate line items.

Specify with one optical accessory (not included), see above.

<b>white</b> .....	BD-A3-WH
<b>black</b> .....	BD-A3-BL
<b>silver</b> .....	BD-A3-SI
<b>custom color</b> .....	BD-A3-CC



## APPLICATIONS

Luminaire is suitable for highlighting vertical or horizontal surfaces, as well as objects in museums, galleries, showrooms, residences, offices and stores.

Luminaire is listed for mounting on Edison Price Lighting 120-volt or 277-volt track.

**Fixture Spacing Requirements** The track adapter of this fixture is 7 3/4" long. For this reason 1) it cannot be track-mounted closer than 8" on center and 2) it cannot be used with 2 of our 7 **Unicep** single-fixture track units.

– photometrics below –



## PHOTOMETRIC REPORT with 20° reflector (tested per IESNA LM-79-2008)

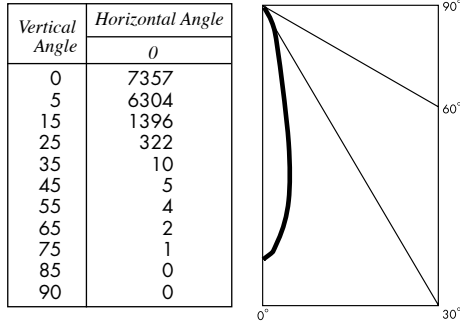
Prorated from Verification Services Report No. 1164149. Original test report furnished upon request.

Luminaire ..... track-mounted LED accent light with a 20° reflector and black cross-baffle (NO LENS)

Lamp ..... Xicato XTM LED Module, 2100 lumens, 3000K

Lamp Life ..... rated 50.000 hours based on L70/B50 criteria. LM80 report by LED manufacturer furnished upon request

### CANDLEPOWER DISTRIBUTION



### LUMINAIRE LIGHT OUTPUT AND EFFICACY

LED Module Type	Luminaire Light Output	Luminaire CBCP	Luminaire Efficacy (lms/watt)	System Wattage
1300 Lumens Artist	675*	4673*	40*	17
2100 Lumens Artist	1083*	7491*	43*	25
3000 Lumens Artist	1490*	10,310*	40*	37
1500 Lumens Designer	793*	5489*	47*	17
2100 Lumens Designer	1072*	7417*	51*	21
3000 Lumens Designer	1512*	10,458*	50*	30
3500 Lumens Designer	1715*	11,867*	46*	37
1500 Lumens standard & Vibrant	804*	5563*	57*	14
2100 Lumens standard & Vibrant	1072	7417	51	21
3000 Lumens standard & Vibrant	1512*	10,458*	49*	31
3900 Lumens standard & Vibrant	1908*	13,202*	52*	37

\*estimated values

## PHOTOMETRIC REPORT with 40° reflector (tested per IESNA LM-79-2008)

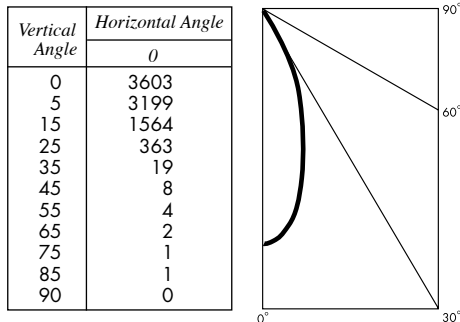
Prorated from Verification Services Report No. 1164150. Original test report furnished upon request.

Luminaire ..... track-mounted LED accent light with a 40° reflector and black cross-baffle (NO LENS)

Lamp ..... Xicato XTM LED Module, 2100 lumens, 3000K

Lamp Life ..... see above

### CANDLEPOWER DISTRIBUTION



### LUMINAIRE LIGHT OUTPUT AND EFFICACY

LED Module Type	Luminaire Light Output	Luminaire CBCP	Luminaire Efficacy (lms/watt)	System Wattage
1300 Lumens Artist	576*	2270*	34*	17
2100 Lumens Artist	923*	3639*	37*	25
3000 Lumens Artist	1270*	5008*	34*	37
1500 Lumens Designer	676*	2666*	40*	17
2100 Lumens Designer	914*	3603*	44*	21
3000 Lumens Designer	1289*	5080*	43*	30
3500 Lumens Designer	1462*	5765*	40*	37
1500 Lumens standard & Vibrant	686*	2702*	49*	14
2100 Lumens standard & Vibrant	914	3603	44	21
3000 Lumens standard & Vibrant	1289*	5080*	42*	31
3900 Lumens standard & Vibrant	1627*	6413*	44*	37

\*estimated values

## PHOTOMETRIC REPORT with 60° reflector (tested per IESNA LM-79-2008)

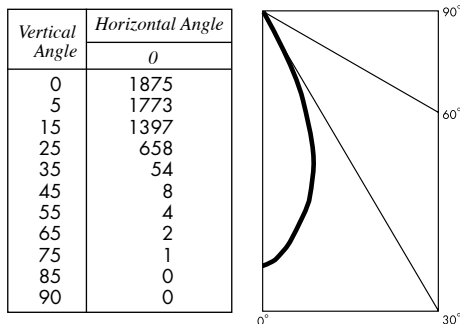
Prorated from Verification Services Report No. 1164151. Original test report furnished upon request.

Luminaire ..... track-mounted LED accent light with a 60° reflector and black cross-baffle (NO LENS)

Lamp ..... Xicato XTM LED Module, 2100 lumens, 3000K

Lamp Life ..... see above

### CANDLEPOWER DISTRIBUTION



### LUMINAIRE LIGHT OUTPUT AND EFFICACY

LED Module Type	Luminaire Light Output	Luminaire CBCP	Luminaire Efficacy (lms/watt)	System Wattage
1300 Lumens Artist	575*	1181*	34*	17
2100 Lumens Artist	921*	1894*	37*	25
3000 Lumens Artist	1268*	2606*	34*	37
1500 Lumens Designer	675*	1388*	40*	17
2100 Lumens Designer	912*	1875*	43*	21
3000 Lumens Designer	1286*	2644*	43*	30
3500 Lumens Designer	1459*	3000*	39*	37
1500 Lumens standard & Vibrant	684*	1406*	49*	14
2100 Lumens standard & Vibrant	912	1875	43	21
3000 Lumens standard & Vibrant	1286*	2644*	41*	31
3900 Lumens standard & Vibrant	1623*	3338*	44*	37

\*estimated values

## STANDARD DRIVER INFORMATION (UL Class 2, dry and damp location)

Voltage	120	277
Input Watts (1300A/2100A/3000A/1500H/2100H/3000H/3500H/ 1500S&V/2100S&V/3000S&V/3900S&V lumens)	17/25/37/17/21/30/37/14/21/31/37	17/25/37/17/21/30/37/14/21/31/37
Input Current(A) (1300A/2100A/3000A/1500H/2100H/3000H/3500H/ 1500S&V/2100S&V/3000S&V/3900S&V lumens)	.14/.21/.31/.14/.18/.25/.31/.12/.18/.26/.31	.06/.09/.13/.06/.08/.11/.13/.05/.08/.11/.13
Output Current (mA)	350-700	350-700
Min. Power Factor	0.90	0.90
Operating Temperature Range (F)	-13 to 122	-13 to 122

## LIGHT OUTPUT MULTIPLIER

LED Module Type	Light Output Multiplier
1300 Lumens Artist	.63*
2100 Lumens Artist	1.01*
3000 Lumens Artist	1.39*
1500 Lumens Designer	.74*
2100 Lumens Designer	1*
3000 Lumens Designer	1.41*
3500 Lumens Designer	1.6*
1500 Lumens standard & Vibrant	.75*
2100 Lumens standard & Vibrant	1
3000 Lumens standard & Vibrant	1.41*
3900 Lumens standard & Vibrant	1.78*

\*estimated values