

Project

Type



Date

Product Code

Designer

ARTIMA®/3 NSP-OBM

surface mounted LED spotlight



Artima/3 NSP OBM with Ring Baffle (OG)

Artima/3 NSP OBM with Open Aperture (OH)



aperture view



aperture view

Artima/3 NSP-OBM is a spot light designed for mounting on a 4" octagonal outlet box (by others). Fixture is powered by one of a number of 9mm Xicato LED modules. See tables below for wattages and efficacies.

- Fixture function can be changed with your choice of Quick Change Cartridge – which can be removed from the fixture easily – and your choice of 'twist and lock' reflector.
- Quick Change Cartridge / Reflector choices
 - Quick Change Cartridge with a ring baffle (OG) for narrow spot control; for use with a 10° or 24° reflector.
 - Quick Change Cartridge with an open aperture (OH) for maximum efficacy; for use with a 10° or 24° reflector.
- Fixture is provided with a single Quick Change Cartridge and a single reflector. Additional Quick Change Cartridges and reflectors may be ordered as accessories.
- Fixture may be ordered with one of a number of drivers.
- Optical Accessories: Each Quick Change Cartridge accepts one or two of a number of spread lenses, color filters and screens. A complimentary Beam Smoother is included.
- Horizontal and vertical adjustment can be locked by tightening two collar clamps using a 3/32" hex key.
- For more information, [click here](#).

PRODUCT CODE

For complete product code, list basic unit and select one item from each following box.

Basic Unit	A3-XTS-OB
Quick Change Cartridge	
Ring Baffle.....	- OG
Open Aperture	- OH
Reflector (specify one to ship with fixture)	
10° narrow spot	- 10D
24° spot	- 24D
Driver	
dimble to 1% by a 0-10V dimmer on 120 or 277-volt service	- DMV
dimble to 5% or 10% (see Light Source Output box below) by either an incandescent or ELV dimmer; 120-volt service only	- DMP
eldoLED 0-10V (Logarithmic) driver dimmable to 0.1% with a 0-10V dimmer on 120 or 277-volt service	- DVOELG
eldoLED 0-10V (Linear) driver dimmable to 0.1% with a 0-10V dimmer on 120 or 277-volt service	- DVOELN
eldoLED driver dimmable to 0.1%, compatible with DALI control system	- DA0-EL
Moons' driver dimmable to 0.1%, compatible with DMX controllers ...	- DX0
Light Source Output (Lumens)	
700L /CRI 98 Artist	DMP (10%) - L07A
1000L /CRI 98 Artist	DMP (5%) - L10A
1000L /CRI 80+	DMP (10%) - L10S
1000L /CRI 80+ Vibrant.....	3000K only DMP (10%) - L10V
1300L /CRI 98 Artist	DMP (5%) - L13A
1300L /CRI 80+	DMP (5%) - L13S
1300L /CRI 80+ Vibrant.....	3000K only DMP (5%) - L13V
1600L /CRI 98 Artist	DMP (5%) - L16A
2000L /CRI 80+	DMP (5%) - L20S
2000L /CRI 80+ Vibrant.....	3000K only DMP (5%) - L20V
Light Color	
2700 K	- 27K
3000 K	- 30K
3500 K	- 35K
4000 K	- 40K
Finish	
white: white paint, white lead cord, matte aluminum heat sink	- WH
black: black paint, black lead cord, black heat sink	- BL
Industrial Silver: silver paint, black lead cord, black heat sink	- SI
custom color: include physical chip with order and select one from below	
• white lead cord, matte aluminum heat sink	- CCW
• black lead cord, black heat sink	- CCB
• any other combinations require a special order	
EXTRA REFLECTORS & CARTRIDGES	
Specify as separate line items.	
Reflector	
10° spot reflector	XTS-REF10-72
24° spot reflector	XTS-REF24-70
Quick Change Cartridge	
Ring Baffle.....	A3-XTM-OG
Open Aperture	A3-XTM-OH

OPTICAL ACCESSORIES ▼ See next page



41-50 22ND STREET, LIC NY 11101 TEL 718.685.0700 FAX 718.786.8530 www.epl.com

©Copyright, Edison Price Lighting 2019

Artima is a registered trademark of Edison Price Lighting.

LED 0-245

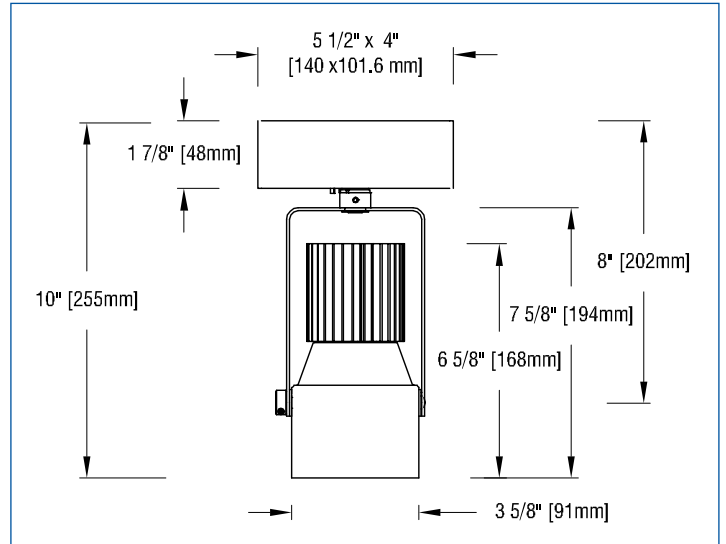
8-19

OPTICAL ACCESSORIES

Specify as separate line items.

All are 2 3/4" (70mm) dia. Lenses and filters are glass; screens are aluminum.

diffuse glass	DGS/2.75
prismatic lens (Solite)	PLS/2.75
55° spread lens	LENS/2.75
40° x 70° spread lens	LENS/2.75-4070
beam smoother	CLR/2.75
color filters	
Daylight Blue	DAY/2.75
Surprise Pink	PNK/2.75
amber	AMB/2.75
blue	BLU/2.75
green	GRN/2.75
red	RED/2.75
33% light reduction screen	SCR33/2.75
50% light reduction screen	SCR50/2.75



BARN DOORS

Specify as separate line items.

Specify with one optical accessory (not included), see above.

white	BD-A3-WH
black	BD-A3-BL
silver	BD-A3-SI
custom color	BD-A3-CC



APPLICATIONS

Luminaire is listed for mounting on a standard 4" octagonal outlet box (by others).

– see below for photometric reports –



PHOTOMETRIC REPORT with 10° reflector (tested per IESNA LM-79-2008)

Verification Services Report No. 1222997. Original test report furnished upon request.

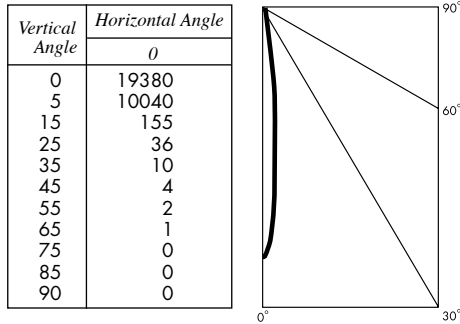
Luminaire surface-mounted LED accent light with a 10° reflector and black ring-baffle (NO LENS)

Lamp Xicato 9mm XTM LED Module, 2000 lumens, 3000K

Lamp Life rated 50.000 hours based on L70/B50 criteria. LM80 report by LED manufacturer furnished upon request



CANDLEPOWER DISTRIBUTION



LUMINAIRE LIGHT OUTPUT AND EFFICACY

LED Module Type	Luminaire Light Output	Luminaire CBCP	Luminaire Efficacy (lms/watt)	System Wattage
700 Lumens Artist	277*	6986*	20*	14
1000 Lumens Artist	365*	9192*	19*	19
1300 Lumens Artist	505*	12,723*	17*	30
1600 Lumens Artist	600*	15,116*	16*	38
1000 Lumens standard & Vibrant	382*	9631*	27*	14
1300 Lumens standard & Vibrant	510*	12,849*	27*	19
2000 Lumens standard & Vibrant	769	19,380	21	38

*estimated values

PHOTOMETRIC REPORT with 24° reflector (tested per IESNA LM-79-2008)

Verification Services Report No. 122998. Original test report furnished upon request.

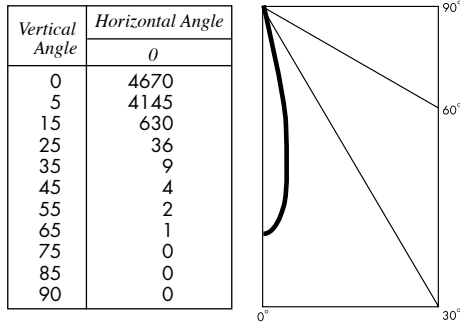
Luminaire surface-mounted LED accent light with a 24° reflector and black ring-baffle (NO LENS)

Lamp Xicato 9mm XTM LED Module, 2000 lumens, 3000K

Lamp Life rated 50.000 hours based on L70/B50 criteria. LM80 report by LED manufacturer furnished upon request



CANDLEPOWER DISTRIBUTION



LUMINAIRE LIGHT OUTPUT AND EFFICACY

LED Module Type	Luminaire Light Output	Luminaire CBCP	Luminaire Efficacy (lms/watt)	System Wattage
700 Lumens Artist	207*	1684*	15*	14
1000 Lumens Artist	272*	2215*	14*	19
1300 Lumens Artist	376*	3066*	12*	30
1600 Lumens Artist	447*	3643*	12*	38
1000 Lumens standard & Vibrant	285*	2321*	20*	14
1300 Lumens standard & Vibrant	380*	3096*	20*	19
2000 Lumens standard & Vibrant	573	4670	15	38

*estimated values

STANDARD DRIVER INFORMATION (UL Class 2, dry and damp location)

Voltage	120	277
Input Watts (L07A/L10A/L13A/L16A/L10S&V/L13S&V/L20S&V)	14/19/30/38/14/19/38	14/19/30/38/14/19/38
Input Current(A) (L07A/L10A/L13A/L16A/L10S&V/L13S&V/L20S&V)	.12/.16/.25/.32/.12/.16/.32	.05/.07/.11/.14/.05/.07/.14
Output Current (mA)	500-1050	500-1050
Min. Power Factor	.99	.99
Operating Temperature Range (F)	-13 to 122	-13 to 122

LIGHT OUTPUT MULTIPLIER

LED Module Type	Light Output Multiplier
700 Lumens Artist	.36*
1000 Lumens Artist	.47*
1300 Lumens Artist	.65*
1600 Lumens Artist	.78*
1000 Lumens standard & Vibrant	.50*
1300 Lumens standard & Vibrant	.66*
2000 Lumens standard & Vibrant	1

PHOTOMETRIC REPORT with 10° reflector (tested per IESNA LM-79-2008)

Verification Services Report No. 1222995. Original test report furnished upon request.

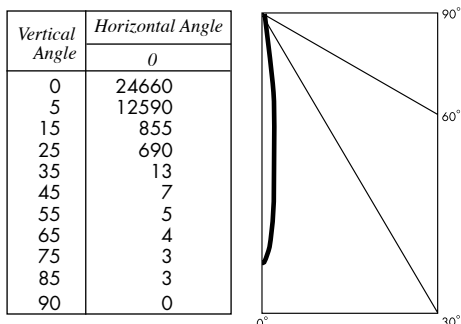
Luminaire surface-mounted LED accent light with 10° reflector and black lens holder (NO LENS)

Lamp Xicato LED Module, 2000 lumens, 3000K

Lamp Life Rated 50,000 hours based on L70/B50 criteria. LM80 report by LED manufacturer furnished upon request



CANDLEPOWER DISTRIBUTION



LUMINAIRE LIGHT OUTPUT AND EFFICACY

LED Module Type	Luminaire Light Output	Luminaire CBCP	Luminaire Efficacy (lms/watt)	System Wattage
700 Lumens Artist	512*	8890*	36*	14
1000 Lumens Artist	674*	11696*	36*	19
1300 Lumens Artist	933*	16189*	31*	30
1600 Lumens Artist	1108*	19235*	29*	38
1000 Lumens standard & Vibrant	706*	12136*	50*	14
1300 Lumens standard & Vibrant	942*	16350*	50*	19
2000 Lumens standard & Vibrant	1421	24660	38	38

*estimated values

PHOTOMETRIC REPORT with 24° reflector (tested per IESNA LM-79-2008)

Verification Services Report No. 122996. Original test report furnished upon request.

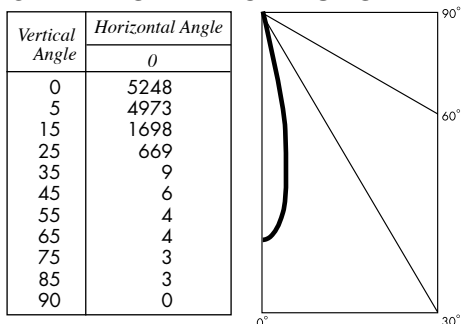
Luminaire surface-mounted LED accent light with 24° reflector and black lens holder (NO LENS)

Lamp Xicato LED Module, 2000 lumens, 3000K

Lamp Life Rated 50,000 hours based on L70/B50 criteria. LM80 report by LED manufacturer furnished upon request



CANDLEPOWER DISTRIBUTION



LUMINAIRE LIGHT OUTPUT AND EFFICACY

LED Module Type	Luminaire Light Output	Luminaire CBCP	Luminaire Efficacy (lms/watt)	System Wattage
700 Lumens Artist	457*	1855*	32*	14
1000 Lumens Artist	602*	2465*	32*	19
1300 Lumens Artist	833*	3445*	27*	30
1600 Lumens Artist	990*	4093*	26*	38
1000 Lumens standard & Vibrant	631*	2608*	45*	14
1300 Lumens standard & Vibrant	841*	3479*	44*	19
2000 Lumens standard & Vibrant	1269	5248	34	38

*estimated values