

Project

Type



Date Product Code

Designer

ARTIMA®/5 CZS NSP-OBM

surface mounted LED ring-baffled spotlight



OG model with lens clips

OP model without lens clips

- **Luminaire is designed for mounting on a 4" octagonal outlet box** (by others).
- **Luminaire may be ordered with one of a number of drivers.** Driver case measures 5 1/2" long x 4" wide x 2" high.
- **Optical assembly consists of an integral 9° reflector and a matte black concentric ring baffle** which increases beam control, eliminates spill light and minimizes glare. Ring baffle may be ordered with ('OG') or without ('OP') lens clips. Clips accept one or two of a number of [Optical Accessories](#) including spread lenses, a beam smoother, color filters and light reduction screens.
- **Luminaire provides 385° horizontal rotation and vertical adjustment from 0° to 90°.** Lamp focus can be locked by tightening two collar clamps using a 9/64" hex key.
- **For more information, [click here](#).**

Warranty Details

- This fixture is not suitable for use in direct sunlight, as under a skylight. Fixtures used in this way are not covered by our warranty.
- Our 5-year warranty does not include the provision of extraordinary means of access, e.g. scaffolding or Genie lifts, to service a product.

Artima/5 CZS NSP-OBM is a surface mounted 9° spotlight powered by Citizen chip-on-board LED's providing either a CRI of 97 within 2-step MacAdam ellipses or a CRI of 80 within 3-step MacAdam ellipses, capable of CBCP as high as 78,410. See tables on reverse for wattages and efficacies.

PRODUCT CODE

For complete product code, list basic unit and select one item from each following box.

Basic Unit

luminaire with lens clips on ring baffle A5*CZS2-OB-OG-9D
 luminaire without lens clips on ring baffle A5*CZS2-OB-OP-9D

Finish

white: white paint, white lead cord, matte aluminum heat sink - WH
 black: black paint, black lead cord, black heat sink - BL
 Industrial Silver: silver paint, black lead cord, black heat sink - SI
 custom color: include physical chip with order and select one from below
 • white lead cord, matte aluminum heat sink - CCW
 • black lead cord, black heat sink - CCB
 • any other combinations require a special order

Driver

dimmable to 1% by a 0-10V dimmer on 120 or 277-volt service - DMV
 dimmable to 5% by either an incandescent or ELV dimmer; 120-volt service only - DMP
 dimmable to 1% by a 2-wire Lutron compatible dimmer - DM-LU
 dimmable to 1% SoftOn/FadeToBlack by a Lutron EcoSystem control..... - ECO-LU
 eldoLED 0-10V (Logarithmic) driver dimmable to 0.1% with a 0-10V dimmer on 120 or 277-volt service..... - DVOELG
 eldoLED 0-10V (Linear) driver dimmable to 0.1% with a 0-10V dimmer on 120 or 277-volt service - DVOELN
 eldoLED driver dimmable to 0.1%, compatible with Dali control system - DAO-EL
 Moons' driver dimmable to 0.1% by DMX controllers - DXO-MN
 Dimmable by integral dimmer, see [IDM Artima/5 CZS NSP-OBM](#)
 Dimmable wirelessly, see [Artima/5 CZS NSP-OBM Bluetooth](#)

Light Source Output (Lumens)

2100L / CRI 97 2700K or 3000K..... - L21A
 2800L / CRI 97 2700K or 3000K..... - L28A
 3900L / CRI 97 2700K or 3000K..... - L39A
 2700L / CRI 80 all light colors - L27S
 3600L / CRI 80 all light colors - L36S
 5100L / CRI 80 all light colors - L51S

Light Color

2700 K - 27K
 3000 K - 30K
 3500 K not available with all Light Outputs (see above)..... - 35K
 4000 K not available with all Light Outputs (see above)..... - 40K
 5000 K not available with all Light Outputs (see above)..... - 50K



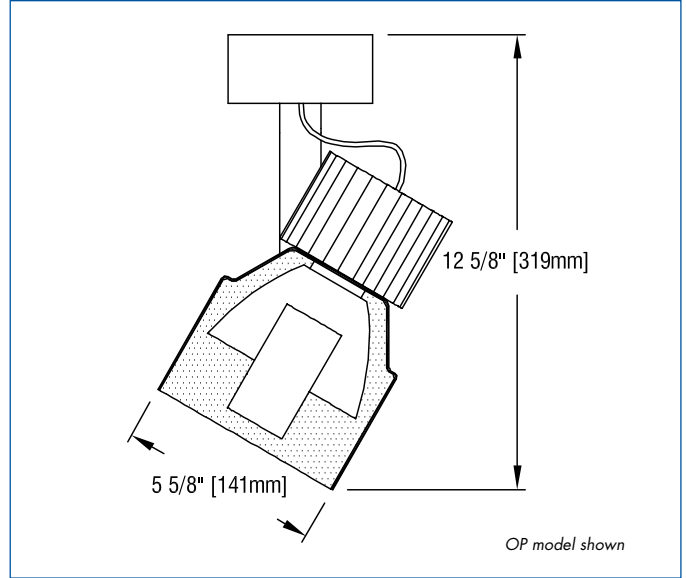
OPTICAL ACCESSORIES

Suitable for use only with 'OG' model luminaire with lens clips.

Specify as separate items.

All are 4 3/4" (121 mm) diameter. Lenses and filters are glass; screens are aluminum.

30° spread lens	LENS/4.75-30
20° x 55° spread lens	LENS/4.75
70° spread lens	LENS/4.75-70
prismatic lens (Solite)	PLS/4.75
40° x 70° spread lens	LENS/4.75-4070
beam smoother	CLR/4.75
color filters	
Daylight Blue	DAY/4.75
Surprise Pink	PNK/4.75
amber	AMB/4.75
blue	BLU/4.75
green	GRN/4.75
red	RED/4.75
33% light reduction screen	SCR33/4.75
50% light reduction screen	SCR50/4.75



BARN DOORS

Specify as separate line items.

Specify with one optical accessory (not included), see above.

white	BD-A5-WH
black	BD-A5-BL
silver	BD-A5-SI
custom color	BD-A5-CC



APPLICATIONS

Luminaire is suitable for spotlighting objects in museums, galleries, showrooms, residences, offices and stores.

Luminaire is listed for Damp Location mounting on a standard 4" octagonal outlet box (by others).

– see below for photometric reports –



PHOTOMETRIC REPORT (tested per IESNA LM-79-2008)

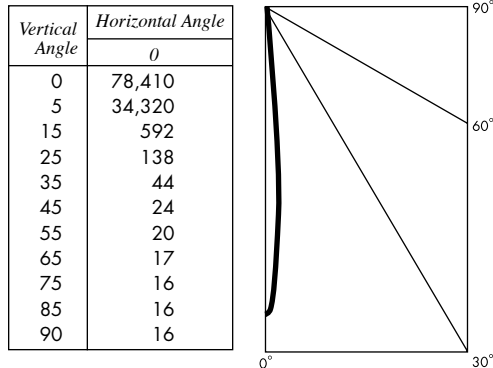
UL Verification Services Report No. 12186406.02. Original test report furnished upon request.

Luminaire surface-mounted LED accent light with a 9° reflector and black ring baffle (NO LENS)

Lamp Citizen LED, 5100 lumens, 3000K CCT

Lamp Life rated 50,000 hours based on L70/B50 criteria. LM80 report by LED manufacturer furnished upon request

CANDLEPOWER DISTRIBUTION



LUMINAIRE LIGHT OUTPUT AND EFFICACY

LED Module Type	Luminaire Light Output	Luminaire CBCP	Luminaire Efficacy (lumens/watt)	System Wattage
2700 Lumens 80 CRI (L27S)	1476*	41,557*	78*	19
3600 Lumens 80 CRI (L36S)	1977*	55,671*	73*	27
4000 Lumens 80 CRI (L40S)	2172*	61,160*	70*	31
5100 Lumens 80 CRI (L51S)	2784	78,410	62	45
2100 Lumens 97 CRI (L21A)	1225*	34,500*	64*	19
2800 Lumens 97 CRI (L28A)	1503*	42,341*	56*	27
3000 Lumens 97 CRI (L30A)	1670*	47,046*	54*	31
3900 Lumens 97 CRI (L39A)	2144*	60,376*	48*	45

*estimated values

STANDARD DRIVER INFORMATION (UL Class 2, dry and damp location)

Voltage	120	277
Input Watts (L27S/L36S/L40S/L51S/L21A/L28A/L30A/L39A)	19/27/31/45/19/27/31/45	19/27/31/45/19/27/31/45
Input Current(A) (L27S/L36S/L40S/L51S/L21A/L28A/L30A/L39A)	16/23/26/38/16/23/26/38	.07/10/11/16/07/10/11/16
Output Current (mA)	500-1100	500-1100
Min. Power Factor	0.90	0.90
Operating Temperature Range (F)	-4 to 122	-4 to 122

LIGHT OUTPUT MULTIPLIER

(Based on 5100 lumens 80 CRI option)

LED Module Type	Light Output Multiplier
2700 Lumens 80 CRI (L27S)	0.53*
3600 Lumens 80 CRI (L36S)	0.71*
4000 Lumens 80 CRI (L40S)	0.78*
5100 Lumens 80 CRI (L51S)	1
2100 Lumens 97 CRI (L21A)	0.44*
2800 Lumens 97 CRI (L28A)	0.54*
3000 Lumens 97 CRI (L30A)	0.6*
3900 Lumens 97 CRI (L39A)	0.77*