

Project

Type

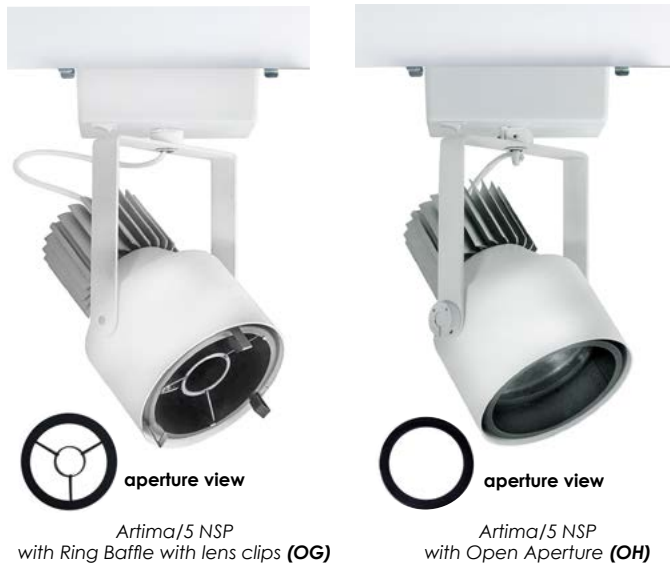


Date Product Code

Designer

ARTIMA[®]/5 NSP

track mounted LED 9° spotlight



- Luminaire may be configured to mount to any of eighteen 20-amp, 120-volt track systems – or – to any of six 277-volt track systems.
- Luminaire may be ordered with one of a number of drivers. An on-off rocker switch, mounted in the driver case, is included standard on luminaires equipped for 120-volt track only.
- Fixture appearance and performance can be changed with your choice of Aperture Assembly.
- Aperture Assembly choices
 - Ring Baffle (OP) for enhanced glare control (not shown above).
 - Ring Baffle with lens clips (OG) for enhanced glare control; clips accept one or two [Optical Accessories](#) including spread lenses, filters and screens.
 - Open Aperture (OH) for maximum efficacy; concealed lens holder accepts one or two [Optical Accessories](#).
- [Optical Accessories](#): Both OG and OH Aperture Assemblies accept one or two of a number of spread lenses or color filters. A complimentary beam smoother is included with either assembly.
- Luminaire provides 385° horizontal rotation and vertical adjustment from 0° to 90°. Lamp focus can be locked by tightening two collar clamps using a 3/64" hex key.
- For more information, [click here](#).

For an outlet box mounted model, see [Artima/5 NSP-OBM](#).

Warranty Details

- This fixture is not suitable for use in direct sunlight, as under a skylight. Fixtures used in this way are not covered by our warranty.
- Our 5-year warranty does not include the provision of extraordinary means of access, e.g. scaffolding or Genie lifts, to service a product.

Artima/5 NSP is a track mounted 9° spotlight powered by Citizen chip-on-board LED's providing either a CRI of 97 within 2-step MacAdam ellipses or a CRI of 80 within 3-step MacAdam ellipses, capable of CBCP as high as 78,410. See tables on reverse for wattages and efficacies.

PRODUCT CODE

For complete product code, list basic unit and select one item from each following box.

Basic Unit A5-CZS2

Track Configuration

120-volt track (e.g. SightLine) +2C
 277-volt track (e.g. HighLine) no switch; not dimmable +HC

Finish

white: white paint, white lead cord, matte aluminum heat sink; white switch - WH
 black: black paint, black lead cord, black heat sink; black switch - BL
 Industrial Silver: silver paint, black lead cord, black heat sink; black switch - SI
 custom color: include paint number or physical chip with order and select one from below

- white lead cord, matte aluminum heat sink; white switch - CCW
- black lead cord, black heat sink; black switch - CCB
- any other combinations require a special order

Aperture Assembly

Ring Baffle without Optical Accessory clips (not shown) - OP
 Ring Baffle with Optical Accessory clips - OG
 Open Aperture - OH

Beam Spread Reflector

9° narrow spot - 9D

Driver

dimmable to 5% with either incandescent or electronic low voltage (ELV) dimmer on 120-volt track - DMP
 dimmable to 1% (see Light Source Output box below) by a 2-wire Lutron® compatible dimmer on 120-volt track - DM1LU

For a model that dims wirelessly; see [Artima/5 NSP Bluetooth](#)
For a model with an integral dimmer; see [IDM Artima/5 NSP](#)

Light Source Output (Lumens)

2100 lumens/97 CRI ... 2700K, 3000K & 4000K only - L21A
 2800 lumens/97 CRI ... 2700K, 3000K & 4000K only - L28A
 3000 lumens/97 CRI ... 2700K, 3000K & 4000K only - L30A
 3900 lumens/97 CRI ... 2700K, 3000K & 4000K only DMP only .. - L39A
 2700 lumens/80 CRI - L27S
 3600 lumens/80 CRI - L36S
 4000 lumens/80 CRI - L40S
 5100 lumens/80 CRI DMP only .. - L51S

Light Color

2700 K - 27K
 3000 K - 30K
 3500 K not available with all Light Outputs (see above) - 35K
 4000 K not available with all Light Outputs (see above) - 40K
 5000 K not available with all Light Outputs (see above) - 50K

EXTRA APERTURES *Specify as separate line items.*

Aperture Assembly

Ring Baffle RK-A5-CZ-OG
 Open Aperture RK-A5-CZ-OH

OPTICAL ACCESSORIES ▼ *See next page*



41-50 22ND STREET, LIC NY 11101 TEL 718.685.0700 FAX 718.786.8530 www.epl.com

©Copyright, Edison Price Lighting 2019
Artima is a registered trademark of Edison Price Lighting.

TF 11-184.2 7:19

OPTICAL ACCESSORIES

Suitable for use only with 'OG' and 'OH' models.

Specify as separate items.

All are 4 3/4" (121 mm) diameter. Lenses and filters are glass; screens are aluminum.

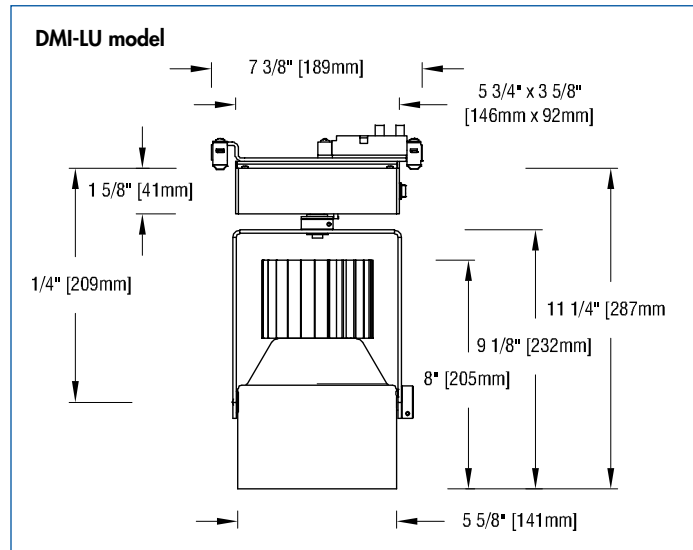
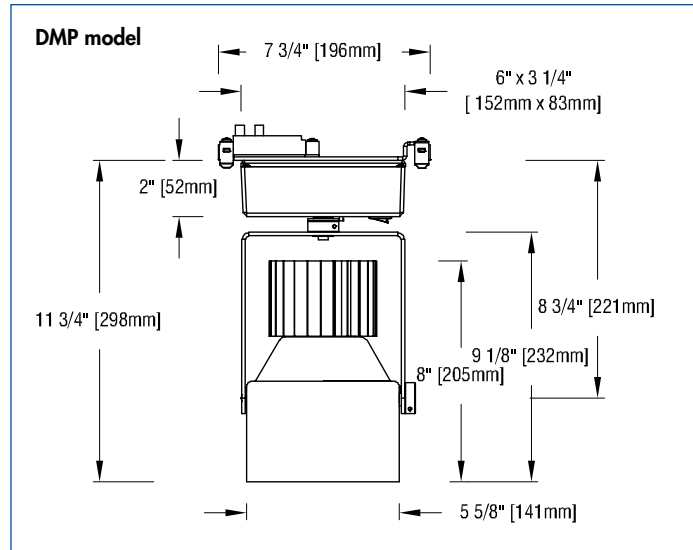
30° spread lens	LENS/4.75-30
20° x 55° spread lens	LENS/4.75
70° spread lens	LENS/4.75-70
prismatic lens (Solite)	PLS/4.75
40° x 70° spread lens	LENS/4.75-4070
beam smoother	CLR/4.75
color filters	
Daylight Blue	DAY/4.75
Surprise Pink	PNK/4.75
amber	AMB/4.75
blue	BLU/4.75
green	GRN/4.75
red	RED/4.75
33% light reduction screen	SCR33/4.75
50% light reduction screen	SCR50/4.75

APPLICATIONS

Luminaire is suitable for spotlighting objects in museums, galleries, show-rooms, residences, offices and stores.

Luminaire is listed for mounting on Edison Price Lighting 120-volt or 277-volt track.

Fixture Spacing Requirements The track adapter of this fixture is 7 3/4" long. For this reason 1) it cannot be track-mounted closer than 8" on center and 2) it cannot be used with 2 of our 7 Unicep single-fixture track units.



– see below for photometric reports –



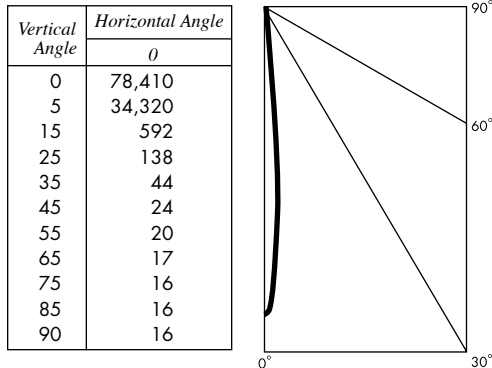
PHOTOMETRIC REPORT (tested per IESNA LM-79-2008)

Verification Services Report No. 12186406.02. Original test report furnished upon request.

Luminaire track-mounted LED accent light with a 9° reflector and black ring baffle (NO LENS)
 Lamp Citizen LED, 5100 lumens, 3000K CCT
 Lamp Life rated 50.000 hours based on L70/B50 criteria. LM80 report by LED manufacturer furnished upon request



CANDLEPOWER DISTRIBUTION



LUMINAIRE LIGHT OUTPUT AND EFFICACY

LED Module Type	Luminaire Light Output	Luminaire CBCP	Luminaire Efficacy (lumens/watt)	System Wattage
2700 Lumens 80 CRI (L27S)	1476*	41,557*	78*	19
3600 Lumens 80 CRI (L36S)	1977*	55,671*	73*	27
4000 Lumens 80 CRI (L40S)	2172*	61,160*	70*	31
5100 Lumens 80 CRI (L51S)	2784	78,410	62	45
2100 Lumens 97 CRI (L21A)	1225*	34,500*	64*	19
2800 Lumens 97 CRI (L28A)	1503*	42,341*	56*	27
3000 Lumens 97 CRI (L30A)	1670*	47,046*	54*	31
3900 Lumens 97 CRI (L39A)	2144*	60,376*	48*	45

*estimated values

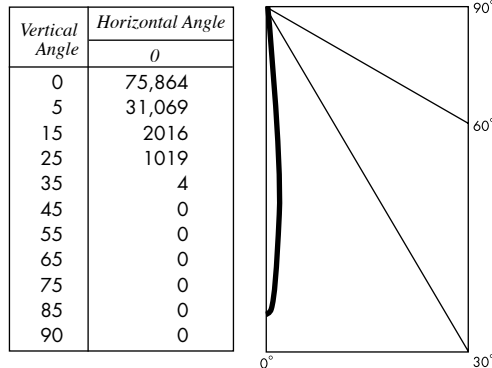
PHOTOMETRIC REPORT (tested per IESNA LM-79-2008)

Prorated from Verification Services Report No. 755333. Original test report furnished upon request.

Luminaire track-mounted LED accent light with a 9° reflector and black lens holder (NO LENS)
 Lamp Citizen LED, 5100 lumens, 3000K CCT
 Lamp Life rated 50.000 hours based on L70/B50 criteria. LM80 report by LED manufacturer furnished upon request



CANDLEPOWER DISTRIBUTION



LUMINAIRE LIGHT OUTPUT AND EFFICACY

LED Module Type	Luminaire Light Output	Luminaire CBCP	Luminaire Efficacy (lumens/watt)	System Wattage
2700 Lumens 80 CRI (L27S)	1766*	40,208*	93*	19
3600 Lumens 80 CRI (L36S)	2366*	53,863*	88*	27
4000 Lumens 80 CRI (L40S)	2599*	59,174*	84*	31
5100 Lumens 80 CRI (L51S)	3332*	75,864*	74*	45
2100 Lumens 97 CRI (L21A)	1466*	33,380*	77*	19
2800 Lumens 97 CRI (L28A)	1799*	40,967*	67*	27
3000 Lumens 97 CRI (L30A)	1999*	45,518*	64*	31
3900 Lumens 97 CRI (L39A)	2566*	58,415*	57*	45

*estimated values

STANDARD DRIVER INFORMATION (UL Class 2, dry and damp location)

Voltage	120	277
Input Watts (L27S/L36S/L40S/L51S/L21A/L28A/L30A/L39A)	19/27/31/45/19/27/31/45	19/27/31/45/19/27/31/45
Input Current(A) (L27S/L36S/L40S/L51S/L21A/L28A/L30A/L39A)	16/23/26/38/16/23/26/38	.07/10/11/16/07/10/11/16
Output Current (mA)	500-1100	500-1100
Min. Power Factor	0.90	0.90
Operating Temperature Range (F)	-4 to 122	-4 to 122

LIGHT OUTPUT MULTIPLIER

(Based on 5100 lumens 80 CRI option)

LED Module Type	Light Output Multiplier
2700 Lumens 80 CRI (L27S)	0.53*
3600 Lumens 80 CRI (L36S)	0.71*
4000 Lumens 80 CRI (L40S)	0.78*
5100 Lumens 80 CRI (L51S)	1
2100 Lumens 97 CRI (L21A)	0.44*
2800 Lumens 97 CRI (L28A)	0.54*
3000 Lumens 97 CRI (L30A)	0.6*
3900 Lumens 97 CRI (L39A)	0.77*