

Project

Type



Date

Product Code

Designer

ARTIMA®/5 CZS O LH-OBM BLUETOOTH

surface mounted LED addressable open-aperture accent light



Artima/5 CZS O LH-OBM Bluetooth is a surface mounted open-aperture accent light capable of 16° to 40° beam spreads. Luminaire is powered by Citizen chip-on-board LED's providing either a CRI of 97 within 2-step MacAdam ellipses or a CRI of 80 within 3-step MacAdam ellipses. See tables on reverse for wattages and efficacies.

- Luminaire is equipped with a Xicato Bluetooth Low Energy Intelligent Driver, controllable via a smart device with iOS or Windows based apps. Features include
 - standard Bluetooth Wireless connectivity
 - addressable individually
 - on/off control
 - dimming to 0.1%
 - data collection and storage for operating history
 - direct listening to switches and sensors
 - embedded Eddystone, iBeacon and/or AltBeacon beacons
- Luminaire is designed for mounting on a 4" octagonal outlet box (by others).
- Beam spread is changed by removing the spring-mounted lens holder, replacing one 'twist and lock' reflector with another, and re-inserting the lens holder assembly. Luminaire is ordered with a single reflector; one or both of the other reflectors may be ordered as accessories.
- Luminaire provides 385° horizontal rotation and vertical adjustment from 0° to 90°. Lamp focus can be locked by tightening two collar clamps using a 9/64" hex key.
- Lens holder assembly accepts one or two of a number of Optical Accessories including spread lenses and color filters. Complimentary Beam Smoother is included. Note that, for enhanced efficiency, cross-baffles are not included. Lens holder assembly is spring-mounted for easy removal and adjustment.
- For more information, [click here](#).

PRODUCT CODE

For complete product code, list basic unit and select one item from each following box.

Basic Unit	A5-CZS2-XID-OB-OH	
Beam Spread Reflector (specify one to ship with fixture)		
16° spot	- 16D	
28° narrow flood.....	- 28D	
40° flood.....	- 40D	
Finish		
white: white paint, white lead cord, matte aluminum heat sink	- WH	
black: black paint, black lead cord, black heat sink	- BL	
Industrial Silver: silver paint, black lead cord, black heat sink	- SI	
custom color: include physical chip with order and select one from below		
• white lead cord, matte aluminum heat sink	- CCW	
• black lead cord, black heat sink	- CCB	
• any other combinations require a special order		
Light Source Output (Lumens)		
2100 lumens/97 CRI	2700K & 3000K only	- L21A
2800 lumens/97 CRI	2700K & 3000K only	- L28A
3000 lumens/97 CRI	2700K & 3000K only	- L30A
3900 lumens/97 CRI	2700K & 3000K only	- L39A
2700 lumens/80 CRI		- L27S
3600 lumens/80 CRI		- L36S
4000 lumens/80 CRI		- L40S
5100 lumens/80 CRI		- L51S
Light Color		
2700 K	- 27K	
3000 K	- 30K	
3500 K	not available with all Light Outputs (see above)	- 35K
4000 K	not available with all Light Outputs (see above)	- 40K
5000 K	not available with all Light Outputs (see above)	- 50K
Circuit Limitations		
Luminaire operates only on circuits with		
• no dimmer on the circuit – or –		
• a 0-10V dimmer on the circuit.		

EXTRA REFLECTORS *Specify as separate line items.*

16° spot reflector	A5-CZS-REF16
28° narrow flood reflector	A5-CZS-REF28
40° flood reflector.....	A5-CZS-REF40

OPTICAL ACCESSORIES ▼ *See next page*

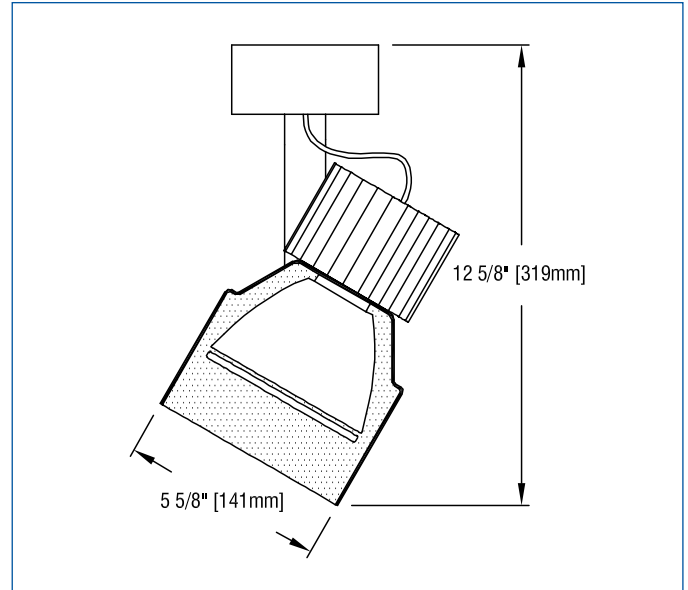
USB Key
To address this fixture from a Windows-based PC, laptop or tablet, a USB key (dongle) is required. Contact factory for USB key.
Warranty Details
• This fixture is not suitable for use in direct sunlight, as under a skylight. Fixtures used in this way are not covered by our warranty.
• Our 5-year warranty does not include the provision of extraordinary means of access, e.g. scaffolding or Genie lifts, to service a product.



OPTICAL ACCESSORIES

Specify as separate line items; only for use with one of the above.
All are 4 3/4" (121 mm) diameter. Lenses and filters are glass; screens are aluminum.

30° spread lens	LENS/4.75-30
20° x 55° spread lens	LENS/4.75
70° spread lens	LENS/4.75-70
prismatic lens (Solite)	PLS/4.75
40° x 70° spread lens	LENS/4.75-4070
beam smoother	included with fixture..... CLR/4.75
color filters	
Daylight Blue	DAY/4.75
Surprise Pink	PNK/4.75
amber	AMB/4.75
blue	BLU/4.75
green	GRN/4.75
red	RED/4.75
33% light reduction screen	SCR33/4.75
50% light reduction screen	SCR50/4.75



BARN DOORS

Specify as separate line items.
Specify with one optical accessory (not included), see above.

white	BD-A5-WH
black	BD-A5-BL
silver	BD-A5-SI
custom color	BD-A5-CC



APPLICATIONS

Luminaire is suitable for highlighting vertical or horizontal surfaces, as well as objects in museums, galleries, showrooms, residences, offices and stores.

Luminaire is listed for mounting on a standard 4" octagonal outlet box (by others).

– see below for photometric reports –

PHOTOMETRIC REPORT with 16° reflector (tested per IESNA LM-79-2008)

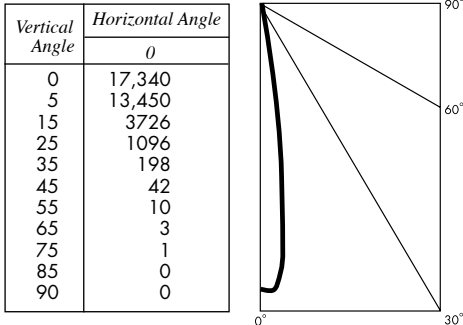
Prorated from Verification Services Report No. 12186406.03. Original test report furnished upon request.

Luminaire surface-mounted LED accent light with a 16° reflector and black lens holder (NO LENS)

Lamp Citizen LED, 5100 lumens, 3000K CCT

Lamp Life rated 50,000 hours based on L70/B50 criteria. LM80 report by LED manufacturer furnished upon request

CANDLEPOWER DISTRIBUTION



LUMINAIRE LIGHT OUTPUT AND EFFICACY

LED Module Type	Luminaire Light Output	Luminaire CBCP	Luminaire Efficacy (lumens/watt)	System Wattage
2700 Lumens 80 CRI (L27S)	1527*	9190*	80*	19
3600 Lumens 80 CRI (L36S)	2046*	12,311*	76*	27
4000 Lumens 80 CRI (L40S)	2247*	13,525*	72*	31
5100 Lumens 80 CRI (L51S)	2881	17,340	64	45
2100 Lumens 97 CRI (L21A)	1268*	7630*	67*	19
2800 Lumens 97 CRI (L28A)	1556*	9364*	58*	27
3000 Lumens 97 CRI (L30A)	1729*	10,404*	56*	31
3900 Lumens 97 CRI (L39A)	2218*	13,352*	49*	45

*estimated values

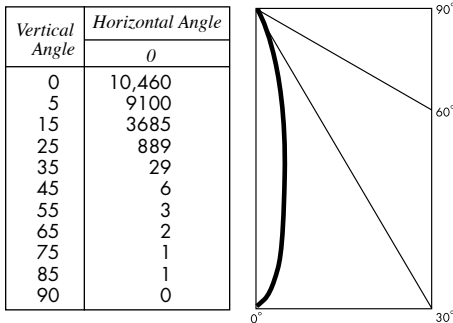
PHOTOMETRIC REPORT with 28° reflector (tested per IESNA LM-79-2008)

Verification Services Report No. 12186406.05. Original test report furnished upon request.

Luminaire surface-mounted LED accent light with a 28° reflector and black lens holder (NO LENS)

Lamp Citizen LED, 5100 lumens, 3000K Lamp Life see above

CANDLEPOWER DISTRIBUTION



LUMINAIRE LIGHT OUTPUT AND EFFICACY

LED Module Type	Luminaire Light Output	Luminaire CBCP	Luminaire Efficacy (lumens/watt)	System Wattage
2700 Lumens 80 CRI (L27S)	1225*	5544*	64*	19
3600 Lumens 80 CRI (L36S)	1642*	7427*	61*	27
4000 Lumens 80 CRI (L40S)	1803*	8159*	58*	31
5100 Lumens 80 CRI (L51S)	2312	10,460	52	45
2100 Lumens 97 CRI (L21A)	1017*	4602*	54*	19
2800 Lumens 97 CRI (L28A)	1248*	5648*	46*	27
3000 Lumens 97 CRI (L30A)	1387*	6276*	45*	31
3900 Lumens 97 CRI (L39A)	1780*	8054*	40*	45

*estimated values

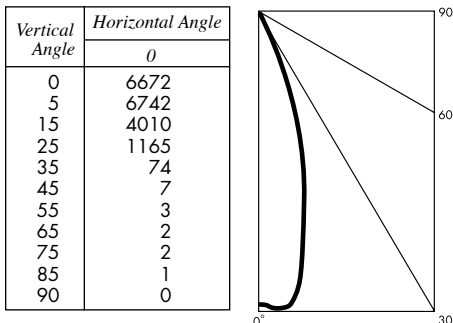
PHOTOMETRIC REPORT with 40° reflector (tested per IESNA LM-79-2008)

Verification Services Report No. 12186406.07. Original test report furnished upon request.

Luminaire surface-mounted LED accent light with a 40° reflector and black lens holder (NO LENS)

Lamp Citizen LED, 5100 lumens, 3000K Lamp Life see above

CANDLEPOWER DISTRIBUTION



LUMINAIRE LIGHT OUTPUT AND EFFICACY

LED Module Type	Luminaire Light Output	Luminaire CBCP	Luminaire Efficacy (lumens/watt)	System Wattage
2700 Lumens 80 CRI (L27S)	1256*	3582*	66*	19
3600 Lumens 80 CRI (L36S)	1682*	4798*	62*	27
4000 Lumens 80 CRI (L40S)	1848*	5271*	60*	31
5100 Lumens 80 CRI (L51S)	2369	6758	53	45
2100 Lumens 97 CRI (L21A)	1042*	2974*	55*	19
2800 Lumens 97 CRI (L28A)	1279*	3649*	47*	27
3000 Lumens 97 CRI (L30A)	1421*	4055*	46*	31
3900 Lumens 97 CRI (L39A)	1824*	5204*	41*	45

*estimated values

STANDARD DRIVER INFORMATION (UL Class 2, dry and damp location)

Voltage	120	277
Input Watts (L27S/L36S/L40S/L51S/L21A/L28A/L30A/L39A)	19/27/31/45/19/27/31/45	19/27/31/45/19/27/31/45
Input Current(A) (L27S/L36S/L40S/L51S/L21A/L28A/L30A/L39A)	16/23/26/38/16/23/26/38	.07/10/11/16/07/10/11/16
Output Current (mA)	500-1100	500-1100
Min. Power Factor	0.90	0.90
Operating Temperature Range (F)	-4 to 122	-4 to 122

LIGHT OUTPUT MULTIPLIER

LED Module Type	Light Output Multiplier
2700 Lumens 80 CRI (L27S)	0.53*
3600 Lumens 80 CRI (L36S)	0.71*
4000 Lumens 80 CRI (L40S)	0.78*
5100 Lumens 80 CRI (L51S)	1
2100 Lumens 97 CRI (L21A)	0.44*
2800 Lumens 97 CRI (L28A)	0.54*
3000 Lumens 97 CRI (L30A)	0.6*
3900 Lumens 97 CRI (L39A)	0.77*