

Project

Type



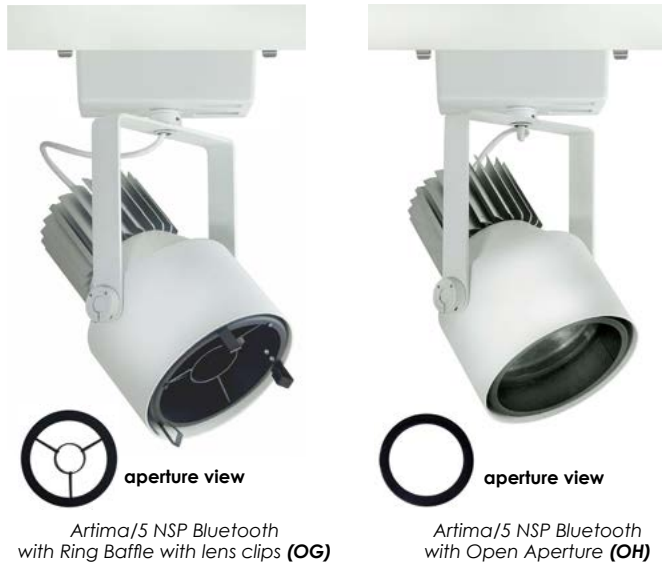
Date

Product Code

Designer

# ARTIMA®/5 NSP BLUETOOTH

track mounted LED addressable 9° spotlight



- **Luminaire is equipped with a Xicato Bluetooth Low Energy Intelligent Driver**, controllable via a smart device with iOS or Windows based apps. Features include
  - standard Bluetooth Wireless connectivity
  - addressable individually
  - on/off control
  - dimming to 0.1%
  - data collection and storage for operating history
  - direct listening to switches and sensors
  - embedded Eddystone, iBeacon and/or AltBeacon beacons
- **Bluetooth controls and integral rotary dimmer can be specified together in the same fixture.** Users can dim by the protocol of their choice, switching between the two options as desired.
- **Luminaire may be configured to mount to any of eighteen 20-amp, 120-volt track systems** – or – to any of six 277-volt track systems.
- **Fixture appearance and performance can be changed with your choice of Aperture Assembly.**
- **Aperture Assembly choices**
  - **Ring Baffle (OP)** for enhanced glare control (not shown above).
  - **Ring Baffle with lens clips (OG)** for enhanced glare control; clips accept one or two [Optical Accessories](#) including spread lenses, filters and screens.
  - **Open Aperture (OH)** for maximum efficacy; concealed lens holder accepts one or two [Optical Accessories](#).
- **Optical Accessories:** Both **OG** and **OH** Aperture Assemblies accept one or two of a number of spread lenses or color filters. A complimentary beam smoother is included with either assembly.
- **Luminaire provides 385° horizontal rotation and vertical adjustment from 0° to 90°.** Lamp focus can be locked by tightening two collar clamps using a 9/64" hex key.
- **For more information, [click here](#).**

### USB Key

To address this fixture from a Windows-based PC, laptop or tablet, a USB key (dongle) is required. Contact factory for USB key.

For the outlet box mounted version of luminaire, see [Artima/5 NSP-OBM Bluetooth](#).

### Warranty Details

- This fixture is not suitable for use in direct sunlight, as under a skylight. Fixtures used in this way are not covered by our warranty.
- Our 5-year warranty does not include the provision of extraordinary means of access, e.g. scaffolding or Genie lifts, to service a product.

Artima/5 NSP Bluetooth is a track mounted 9° spotlight powered by Citizen chip-on-board LED's providing either a CRI of 97 within 2-step MacAdam ellipses or a CRI of 80 within 3-step MacAdam ellipses, capable of CBCP as high as 78,410. See tables on reverse for wattages and efficacies.

## PRODUCT CODE

For complete product code, list basic unit and select one item from each following box.

**Basic Unit** ..... A5-CZS2-XID

### Track Configuration

120-volt track (e.g. SightLine) ..... +2C  
277-volt track (e.g. HighLine) ..... +HC

### Aperture Assembly

Ring Baffle without lens clips (not shown) ..... - OP  
Ring Baffle with lens clips ..... - OG  
Open Aperture ..... - OH

### Beam Spread Reflector

9° narrow spot ..... - 9D

### Finish

white: white paint, white lead cord, matte aluminum heat sink ..... - WH  
black: black paint, black lead cord, black heat sink ..... - BL  
Industrial Silver: silver paint, black lead cord, black heat sink ..... - SI  
custom color: include paint number or physical chip with order and select one from below  
• white lead cord, matte aluminum heat sink ..... - CCW  
• black lead cord, black heat sink ..... - CCB  
• any other combinations require a special order

### Light Source Output (Lumens)

2100 lumens / 97 CRI ..... 2700K & 3000K only ..... - L21A  
2800 lumens / 97 CRI ..... 2700K & 3000K only ..... - L28A  
3000 lumens / 97 CRI ..... 2700K & 3000K only ..... - L30A  
3900 lumens / 97 CRI ..... 2700K & 3000K only ..... - L39A  
2700 lumens / 80 CRI ..... - L27S  
3600 lumens / 80 CRI ..... - L36S  
4000 lumens / 80 CRI ..... - L40S  
5100 lumens / 80 CRI ..... - L51S

### Light Color

2700 K ..... - 27K  
3000 K ..... - 30K  
3500 K ..... not available with all Light Outputs (see above) ..... - 35K  
4000 K ..... not available with all Light Outputs (see above) ..... - 40K  
5000 K ..... not available with all Light Outputs (see above) ..... - 50K

### Circuit Limitations

Luminaire operates only on track circuits with no dimmer on the circuit

► For luminaires modified for 50A or 60A track systems, contact factory.

## OPTION

**Integral Dimmer:** rotary dimmer located in side of driver case; dims to 1% on 120 or 277 volt track; see detail below ..... - ID

## OPTICAL ACCESSORIES ▼ See next page



41-50 22<sup>ND</sup> STREET, LIC NY 11101 TEL 718.685.0700 FAX 718.786.8530 www.epl.com

©Copyright, Edison Price Lighting 2020

Artima is a registered trademark of Edison Price Lighting.

TF 11-184.3 2:20

## INTEGRAL DIMMER OPTION (ID)

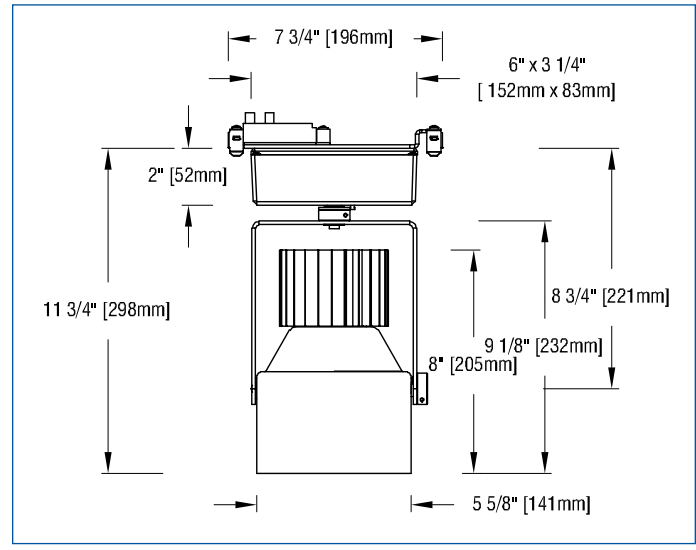
Integral rotary dimmer located in one side of the driver case: Dimmer control shaft is spring loaded, permitting shaft to be exposed for adjustment then depressed flush to conserve dimmer setting. "Clock face" markings permit registration of dimmer setting.



### OPTICAL ACCESSORIES

*Suitable for use only with 'OG' or 'OH' models.  
Specify as separate items.  
All are 4 3/4" (121 mm) diameter. Lenses and filters are glass; screens are aluminum.*

<b>30° spread lens</b> .....	LENS/4.75-30
<b>20° x 55° spread lens</b> .....	LENS/4.75
<b>70° spread lens</b> .....	LENS/4.75-70
<b>prismatic lens (Solite)</b> .....	PLS/4.75
<b>40° x 70° spread lens</b> .....	LENS/4.75-4070
<b>beam smoother</b> .....	CLR/4.75
<b>color filters</b>	
Daylight Blue .....	DAY/4.75
Surprise Pink .....	PNK/4.75
amber .....	AMB/4.75
blue .....	BLU/4.75
green .....	GRN/4.75
red .....	RED/4.75
<b>33% light reduction screen</b> .....	SCR33/4.75
<b>50% light reduction screen</b> .....	SCR50/4.75



## APPLICATIONS

Luminaire is suitable for spotlighting objects in museums, galleries, showrooms, residences, offices and stores.

Luminaire is listed for mounting on Edison Price Lighting 120-volt or 277-volt track.

**Fixture Spacing Requirements** The track adapter of this fixture is 7 3/4" long. For this reason 1) it cannot be track-mounted closer than 8" on center and 2) it cannot be used with 2 of our 7 **Unicep** single-fixture track units.

– see below for photometric reports –



## PHOTOMETRIC REPORT (tested per IESNA LM-79-2008)

OG/OP



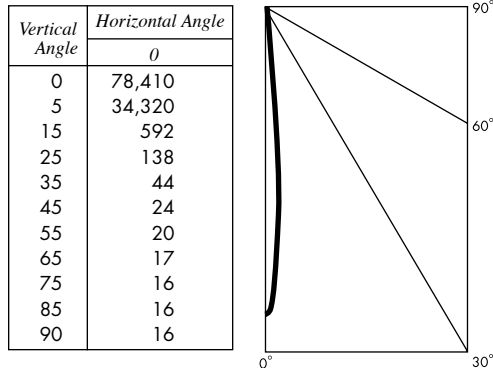
Verification Services Report No. 12186406.02. Original test report furnished upon request.

Luminaire ..... track-mounted LED accent light with a 9° reflector and black ring baffle (NO LENS)

Lamp ..... Citizen LED, 5100 lumens, 3000K CCT

Lamp Life ..... rated 50,000 hours based on L70/B50 criteria. LM80 report by LED manufacturer furnished upon request

### CANDLEPOWER DISTRIBUTION



### LUMINAIRE LIGHT OUTPUT AND EFFICACY

LED Module Type	Luminaire Light Output	Luminaire CBCP	Luminaire Efficacy (lumens/watt)	System Wattage
2700 Lumens 80 CRI (L27S)	1476*	41,557*	78*	19
3600 Lumens 80 CRI (L36S)	1977*	55,671*	73*	27
4000 Lumens 80 CRI (L40S)	2172*	61,160*	70*	31
5100 Lumens 80 CRI (L51S)	2784	78,410	62	45
2100 Lumens 97 CRI (L21A)	1225*	34,500*	64*	19
2800 Lumens 97 CRI (L28A)	1503*	42,341*	56*	27
3000 Lumens 97 CRI (L30A)	1670*	47,046*	54*	31
3900 Lumens 97 CRI (L39A)	2144*	60,376*	48*	45

\*estimated values

## PHOTOMETRIC REPORT (tested per IESNA LM-79-2008)

OH



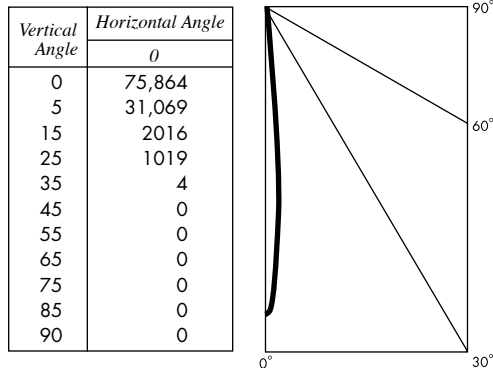
Prorated from Verification Services Report No. 755333. Original test report furnished upon request.

Luminaire ..... track-mounted LED accent light with a 9° reflector and black lens holder (NO LENS)

Lamp ..... Citizen LED, 5100 lumens, 3000K CCT

Lamp Life ..... rated 50,000 hours based on L70/B50 criteria. LM80 report by LED manufacturer furnished upon request

### CANDLEPOWER DISTRIBUTION



### LUMINAIRE LIGHT OUTPUT AND EFFICACY

LED Module Type	Luminaire Light Output	Luminaire CBCP	Luminaire Efficacy (lumens/watt)	System Wattage
2700 Lumens 80 CRI (L27S)	1766*	40,208*	93*	19
3600 Lumens 80 CRI (L36S)	2366*	53,863*	88*	27
4000 Lumens 80 CRI (L40S)	2599*	59,174*	84*	31
5100 Lumens 80 CRI (L51S)	3332*	75,864*	74*	45
2100 Lumens 97 CRI (L21A)	1466*	33,380*	77*	19
2800 Lumens 97 CRI (L28A)	1799*	40,967*	67*	27
3000 Lumens 97 CRI (L30A)	1999*	45,518*	64*	31
3900 Lumens 97 CRI (L39A)	2566*	58,415*	57*	45

\*estimated values

### STANDARD DRIVER INFORMATION (UL Class 2, dry and damp location)

Voltage	120	277
Input Watts (L27S/L36S/L40S/L51S/L21A/L28A/L30A/L39A)	19/27/31/45/19/27/31/45	19/27/31/45/19/27/31/45
Input Current(A) (L27S/L36S/L40S/L51S/L21A/L28A/L30A/L39A)	16/23/26/38/16/23/26/38	.07/10/11/16/07/10/11/16
Output Current (mA)	500-1100	500-1100
Min. Power Factor	0.90	0.90
Operating Temperature Range (F)	-4 to 122	-4 to 122

### LIGHT OUTPUT MULTIPLIER

(Based on 5100 lumens 80 CRI option)

LED Module Type	Light Output Multiplier
2700 Lumens 80 CRI (L27S)	0.53*
3600 Lumens 80 CRI (L36S)	0.71*
4000 Lumens 80 CRI (L40S)	0.78*
5100 Lumens 80 CRI (L51S)	1
2100 Lumens 97 CRI (L21A)	0.44*
2800 Lumens 97 CRI (L28A)	0.54*
3000 Lumens 97 CRI (L30A)	0.6*
3900 Lumens 97 CRI (L39A)	0.77*