

ARTIMA®/5 CZS W-OBM

surface mounted LED wallwasher



Artima/5 CZS W-OBM is a surface mounted wallwasher powered by Citizen chip-on-board LED's providing either a CRI of 97 within 2-step MacAdam ellipses or a CRI of 80 within 3-step MacAdam ellipses. See tables on reverse for wattages and efficacies.

- Luminaire is designed for mounting on a 4" octagonal outlet box (by others).
- Luminaire may be ordered with one of a number of drivers. Driver case measures 5 1/2" long x 4" wide x 2" high.
- The optical assembly for Artima LED/5 CZS W-OBM consists of an aluminum reflector and a 40° x 70° spread lens. In addition, the assembly can accept one of a number of optional [Optical Accessories](#) including color filters and screens. Assembly is keyed relative to luminaire housing, to retain critical lens orientation.
- Luminaire provides 385° horizontal rotation and vertical adjustment from 0° to 90°. Lamp focus can be locked by tightening two collar clamps using a 9/64" hex key.
- For more information, [click here](#).

Warranty Details

- This fixture is not suitable for use in direct sunlight, as under a skylight. Fixtures used in this way are not covered by our warranty.
- Our 5-year warranty does not include the provision of extraordinary means of access, e.g. scaffolding or Genie lifts, to service a product.

PRODUCT CODE

For complete product code, list basic unit and select one item from each following box.

Basic Unit	A5*CZS2-OB-W
Finish	
white: white paint, white lead cord, matte aluminum heat sink	- WH
black: black paint, black lead cord, black heat sink	- BL
Industrial Silver: silver paint, black lead cord, black heat sink	- SI
custom color: include physical chip with order and select one from below	
• white lead cord, matte aluminum heat sink	- CCW
• black lead cord, black heat sink	- CCB
• any other combinations require a special order	
Driver	
dimmable to 1% by a 0-10V dimmer on 120 or 277-volt service	- DMV
dimmable to 5% by either an incandescent or ELV dimmer; 120-volt service only	- DMP
dimmable to 1% (see Light Source Output box below) by a Lutron (2-wire) incandescent dimmer	- DM1LU
dimmable to 1% (see Light Source Output box below) by a Lutron EcoSystem control	- ECO-LU
eldoLED 0-10V (Logarithmic) driver dimmable to 0.1% with a 0-10V dimmer on 120 or 277-volt service.....	- DV0ELG
eldoLED 0-10V (Linear) driver dimmable to 0.1% with a 0-10V dimmer on 120 or 277-volt service	- DV0ELN
eldoLED driver dimmable to 0.1%, compatible with Dali control system	- DA0-EL
Moons' driver dimmable to 0.1% by DMX controllers	- DX0-MN
Light Source Output (Lumens)	
2100 lumens/97 CRI ... 2700K & 3000K only.....	DM1LU ECO-LU..... - L21A
2800 lumens/97 CRI ... 2700K & 3000K only.....	DM1LU ECO-LU... - L28A
3000 lumens/97 CRI ... 2700K & 3000K only.....	DM1LU ECO-LU ... - L30A
3900 lumens/97 CRI ... 2700K & 3000K only.....	DM1LU ECO-LU..... - L39A
2700 lumens/80 CRI	DM1LU ECO-LU..... - L27S
3600 lumens/80 CRI	DM1LU ECO-LU..... - L36S
4000 lumens/80 CRI	DM1LU ECO-LU..... - L40S
5100 lumens/80 CRI	DM1LU ECO-LU..... - L51S
Light Color	
2700 K	not available with all Light Outputs (see above)..... - 27K
3000 K - 30K
3500 K	not available with all Light Outputs (see above)..... - 35K
4000 K	not available with all Light Outputs (see above)..... - 40K
5000 K	not available with all Light Outputs (see above)..... - 50K

OPTICAL ACCESSORIES ▼ See next page



41-50 22ND STREET, LIC NY 11101 TEL 718.685.0700 FAX 718.786.8530 www.epl.com

©Copyright, Edison Price Lighting 2018

Artima is a registered trademark of Edison Price Lighting.

LED 0-252.2 3:19

OPTICAL ACCESSORIES

Specify as separate line items; only for use with one of the above.
 All are 4 3/4" (121 mm) diameter. Lenses and filters are glass; screens are aluminum.

40° x 70° spread lens included with fixture LENS/4.75-4070

color filters

Daylight Blue DAY/4.75

Surprise Pink PNK/4.75

amber AMB/4.75

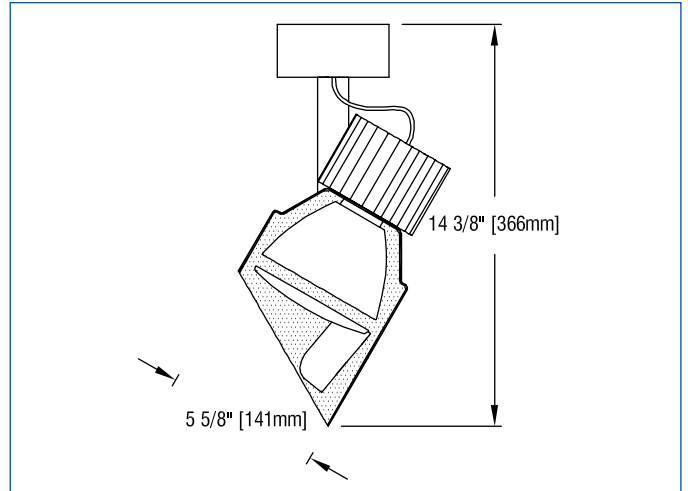
blue BLU/4.75

green GRN/4.75

red RED/4.75

33% light reduction screen SCR33/4.75

50% light reduction screen SCR50/4.75



APPLICATIONS

Luminaire is suitable for highlighting vertical surfaces, as well as objects in museums, galleries, showrooms, residences, offices and stores.

Luminaire is listed for mounting on a standard 4" octagonal outlet box (by others).

– see below for photometric reports –



PHOTOMETRIC REPORT (tested per IESNA LM-79-2008)

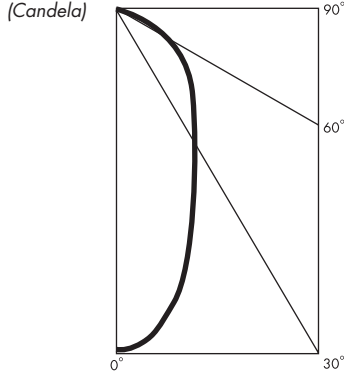
Prorated from Verification Services Report No. Verification Services Report No. 12186406.01. Original test report furnished upon

Luminairesurface-mounted LED lensed wallwasher with a 40° internal reflector, a 40° x 70° spread lens and a specular aluminum kicker reflector

LampCitizen LED, 5100 lumens, 3000K CCT

Lamp Liferated 50,000 hours based on L70/B50 criteria. LM80 report by LED manufacturer furnished upon request

CANDLEPOWER DISTRIBUTION



STANDARD DRIVER INFORMATION (UL Class 2, dry and damp location)

Voltage	120	277
Input Watts (L27S/L36S/L40S/L51S/L21A/L28A/L30A/L39A)	19/27/31/45/19/27/31/45	19/27/31/45/19/27/31/45
Input Current(A) (L27S/L36S/L40S/L51S/L21A/L28A/L30A/L39A)	16/23/26/38/16/23/26/38	.07/10/11/16/07/10/11/16
Output Current (mA)	500-1100	500-1100
Min. Power Factor	0.90	0.90
Operating Temperature Range (F)	-4 to 122	-4 to 122

WALLWASH INFORMATION

Distance From Ceiling (Feet)	5' from wall; 5' O.C.		5' 6" from wall; 5' 6" O.C.		6' from wall; 6' O.C.	
	Below Fixture	Between Fixtures	Below Fixture	Between Fixtures	Below Fixture	Between Fixtures
1	19	15	15	13	13	11
2	29	24	23	19	19	16
3	38	32	30	25	25	20
4	39	37	32	30	27	25
5	36	34	31	31	26	26
6	34	30	29	29	25	25
7	31	27	27	27	23	23
8	28	24	25	24	22	21
9	25	21	23	22	20	20
10	22	18	20	18	19	18
11	19	15	18	19	17	16
12	16	13	15	17	15	14
13	14	11	13	15	13	13
14	12	10	12	13	11	11
15	10	8	10	11	10	10
16	9	7	9	10	9	9
17			8	9	8	8
18			7	8	7	7
19					6	6
20					5	5

This table lists initial illuminance values at the center of a row of at least 5 fixtures with no contribution from ceiling or floor reflectance. Fixtures were modeled with maximum candlepower at 20° above vertical.

LUMINAIRE LIGHT OUTPUT AND EFFICACY

LED Module Type	Luminaire Light Output	Luminaire Efficacy (lumens/watt)	System Wattage
2700 Lumens 80 CRI (L27S)	1357*	71*	19
3600 Lumens 80 CRI (L36S)	1818*	67*	27
4000 Lumens 80 CRI (L40S)	1998*	64*	31
5100 Lumens 80 CRI (L51S)	2561*	57*	45
2100 Lumens 97 CRI (L21A)	1127*	59*	19
2800 Lumens 97 CRI (L28A)	1383*	51*	27
3000 Lumens 97 CRI (L30A)	1537*	50*	31
3900 Lumens 97 CRI (L39A)	1972*	44*	45

*estimated values

LIGHT OUTPUT MULTIPLIER

(Based on 5100 lumens 80 CRI option)

LED Module Type	Light Output Multiplier
2700 Lumens 80 CRI (L27S)	0.53*
3600 Lumens 80 CRI (L36S)	0.71*
4000 Lumens 80 CRI (L40S)	0.78*
5100 Lumens 80 CRI (L51S)	1
2100 Lumens 97 CRI (L21A)	0.44*
2800 Lumens 97 CRI (L28A)	0.54*
3000 Lumens 97 CRI (L30A)	0.6*
3900 Lumens 97 CRI (L39A)	0.77*