

ARTIMA®/5 W

track mounted LED wallwasher



- Luminaire may be configured to mount to any of eighteen 20-amp, 120-volt [track systems](#) – or – to any of six 277-volt track systems.
- Luminaire may be ordered with one of a number of drivers. Driver case measures 6 1/8" long x 3 5/8" wide x 2" high. An on-off rocker switch, mounted in the driver case, is included standard on luminaires equipped for 120-volt track only.
- The optical assembly for Artima/5 CZS W consists of an aluminum [reflector](#) and a 40° x 70° spread lens. In addition, the assembly can accept one of a number of optional [Optical Accessories](#) including color filters and screens. Assembly is keyed relative to luminaire housing, to retain critical lens orientation.
- Luminaire provides 385° horizontal rotation and vertical adjustment from 0° to 90°. Lamp focus can be locked by tightening two collar clamps using a 9/64" hex key.
- For more information, [click here](#).

For an outlet box mounted model, see [Artima/5 W-OBM](#).

Warranty Details

- This fixture is not suitable for use in direct sunlight, as under a skylight. Fixtures used in this way are not covered by our warranty.
- Our 5-year warranty does not include the provision of extraordinary means of access, e.g. scaffolding or Genie lifts, to service a product.

Artima/5 W is a track mounted wallwasher powered by Citizen chip-on-board LED's providing either a CRI of 97 within 2-step MacAdam ellipses or a CRI of 80 within 3-step MacAdam ellipses. See tables on reverse for wattages and efficacies.

PRODUCT CODE

For complete product code, list basic unit and select one item from each following box.

Basic Unit A5*CZS2-W

Track Configuration

120-volt track (e.g. SightLine) +2C
277-volt track (e.g. HighLine) no switch; not dimmable +HC

Finish

white: white paint, white lead cord, matte aluminum heat sink; white switch - WH
black: black paint, black lead cord, black heat sink; black switch - BL
Industrial Silver: silver paint, black lead cord, black heat sink; black switch - SI
custom color: include paint number or physical chip with order and select one from below
• white lead cord, matte aluminum heat sink; white switch - CCW
• black lead cord, black heat sink; black switch - CCB
• any other combinations require a special order

Driver

dimmable to 5% with either incandescent or electronic low voltage (ELV) dimmer on 120-volt track - DMP
dimmable to 1% (see Light Source Output box below) with a Lutron® incandescent dimmer on 120-volt track - DMI-LU

For a model that dims wirelessly; see [Artima/5 W Bluetooth](#)

For a model with an integral dimmer; see [IDM Artima/5 W](#)

Light Source Output (Lumens)

2100 lumens/97 CRI ... 2700K, 3000K & 4000K only - L21A
2800 lumens/97 CRI ... 2700K, 3000K & 4000K only - L28A
3000 lumens/97 CRI ... 2700K, 3000K & 4000K only - L30A
3900 lumens/97 CRI ... 2700K, 3000K & 4000K only DMP only .. - L39A
2700 lumens/80 CRI - L27S
3600 lumens/80 CRI - L36S
4000 lumens/80 CRI - L40S
5100 lumens/80 CRI DMP only .. - L51S

Light Color

2700 K - 27K
3000 K - 30K
3500 K not available with all Light Outputs (see above) - 35K
4000 K not available with all Light Outputs (see above) - 40K
5000 K not available with all Light Outputs (see above) - 50K

► For luminaires modified for 50A or 60A track systems, contact factory.

OPTICAL ACCESSORIES ▼ See next page



OPTICAL ACCESSORIES

Specify as separate line items.

All are 4 3/4" (121 mm) diameter. Lenses and filters are glass; screens are aluminum.

40° x 70° spread lens included with fixture..... LENS/4.75-4070

color filters

Daylight Blue DAY/4.75

Surprise Pink PNK/4.75

amber AMB/4.75

blue BLU/4.75

green GRN/4.75

red RED/4.75

33% light reduction screen SCR33/4.75

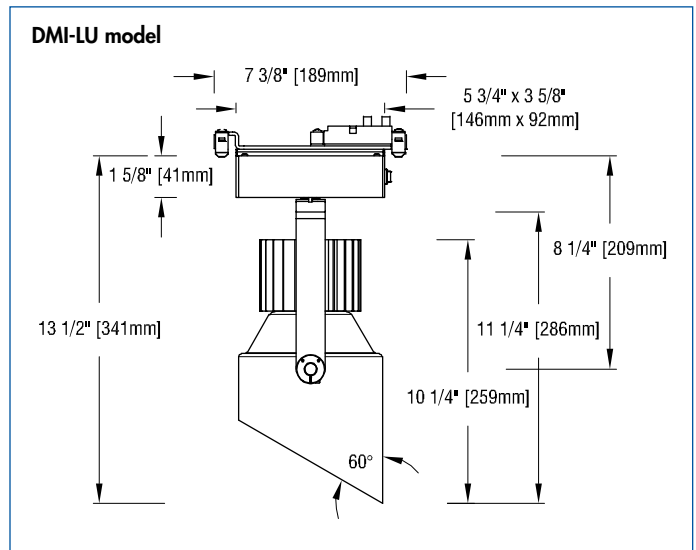
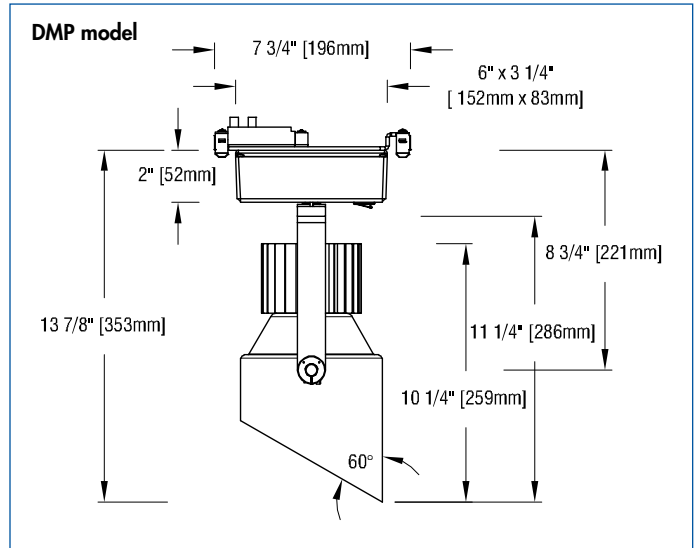
50% light reduction screen SCR50/4.75

APPLICATIONS

Luminaire is suitable for highlighting vertical surfaces, as well as objects in museums, galleries, showrooms, residences, offices and stores.

Luminaire is listed for mounting on Edison Price Lighting 120-volt or 277-volt track.

Fixture Spacing Requirements The track adapter of this fixture is 7 3/4" long. For this reason 1) it cannot be track-mounted closer than 8" on center and 2) it cannot be used with 2 of our 7 **Unicep** single-fixture track units.



– see below for photometric reports –



PHOTOMETRIC REPORT (tested per IESNA LM-79-2008)

Prorated from Verification Services Report No. 12186406.01. Original test report furnished upon

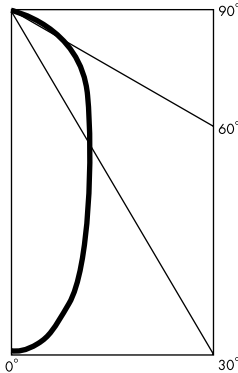
Luminairetrack-mounted LED lensed wallwasher with a 40° internal reflector, a 40° x 70° spread lens and a specular aluminum kicker reflector

LampCitizen LED, 5100 lumens, 3000K CCT

Lamp Liferated 50,000 hours based on L70/B50 criteria. LM80 report by LED manufacturer furnished upon request

CANDLEPOWER DISTRIBUTION

(Candela)



STANDARD DRIVER INFORMATION (UL Class 2, dry and damp location)

Voltage	120	277
Input Watts (L27S/L36S/L40S/L51S/L21A/L28A/L30A/L39A)	19/27/31/45/19/27/31/45	19/27/31/45/19/27/31/45
Input Current(A) (L27S/L36S/L40S/L51S/L21A/L28A/L30A/L39A)	16/23/26/38/16/23/26/38	.07/10/11/16/07/10/11/16
Output Current (mA)	500-1100	500-1100
Min. Power Factor	0.90	0.90
Operating Temperature Range (F)	-4 to 122	-4 to 122

WALLWASH INFORMATION

Distance From Ceiling (Feet)	5' from wall; 5' O.C.		5' 6" from wall; 5' 6" O.C.		6' from wall; 6' O.C.	
	Below Fixture	Between Fixtures	Below Fixture	Between Fixtures	Below Fixture	Between Fixtures
1	19	15	15	13	13	11
2	29	24	23	19	19	16
3	38	32	30	25	25	20
4	39	37	32	30	27	25
5	36	34	31	31	26	26
6	34	30	29	29	25	25
7	31	27	27	27	23	23
8	28	24	25	24	22	21
9	25	21	23	22	20	20
10	22	18	20	18	19	18
11	19	15	18	19	17	16
12	16	13	15	17	15	14
13	14	11	13	15	13	13
14	12	10	12	13	11	11
15	10	8	10	11	10	10
16	9	7	9	10	9	9
17			8	9	8	8
18			7	8	7	7
19					6	6
20					5	5

This table lists initial illuminance values at the center of a row of at least 5 fixtures with no contribution from ceiling or floor reflectance. Fixtures were modeled with maximum candlepower at 20° above vertical.

LUMINAIRE LIGHT OUTPUT AND EFFICACY

LED Module Type	Luminaire Light Output	Luminaire Efficacy (lumens/watt)	System Wattage
2700 Lumens 80 CRI (L27S)	1357*	71*	19
3600 Lumens 80 CRI (L36S)	1818*	67*	27
4000 Lumens 80 CRI (L40S)	1998*	64*	31
5100 Lumens 80 CRI (L51S)	2561*	57*	45
2100 Lumens 97 CRI (L21A)	1127*	59*	19
2800 Lumens 97 CRI (L28A)	1383*	51*	27
3000 Lumens 97 CRI (L30A)	1537*	50*	31
3900 Lumens 97 CRI (L39A)	1972*	44*	45

*estimated values

LIGHT OUTPUT MULTIPLIER

(Based on 5100 lumens 80 CRI option)

LED Module Type	Light Output Multiplier
2700 Lumens 80 CRI (L27S)	0.53*
3600 Lumens 80 CRI (L36S)	0.71*
4000 Lumens 80 CRI (L40S)	0.78*
5100 Lumens 80 CRI (L51S)	1
2100 Lumens 97 CRI (L21A)	0.44*
2800 Lumens 97 CRI (L28A)	0.54*
3000 Lumens 97 CRI (L30A)	0.6*
3900 Lumens 97 CRI (L39A)	0.77*