

Project

Type



Date

Product Code

Designer

ARTIMA®/5 O BLUETOOTH

track mounted LED addressable accent light



aperture view

Artima/5 O Bluetooth with Cross Baffle (OX)



aperture view

Artima/5 O Bluetooth with Open Aperture (OH)

- **Luminaire is equipped with a Xicato Bluetooth Low Energy Intelligent Driver**, controllable via a smart device with iOS or Windows based apps. Features include
 - standard Bluetooth Wireless connectivity
 - addressable individually
 - on/off control
 - dimming to 0.1%
 - data collection and storage for operating history
 - direct listening to switches and sensors
 - embedded Eddystone, iBeacon and/or AltBeacon beacons
- **Bluetooth controls and integral rotary dimmer can be specified together in the same fixture.** Users can dim by the protocol of their choice, switching between the two options as desired.
- **Luminaire may be configured to mount to any of eighteen 20-amp, 120-volt track systems** – or – to any of six 277-volt track systems.
- **Fixture function can be changed with your choice of Aperture Assembly** and your choice of 'twist and lock' reflector.
- **Aperture Assembly / Reflector choices**
 - **Cross Baffle (OX)** for enhanced glare control; for use with interchangeable 16°, 28° and 40° reflectors.
 - **Open Aperture (OH)** for maximum efficacy; for use with interchangeable 16°, 28° and 40° reflectors.
- Fixture is provided with a single Aperture Assembly and a single reflector. Additional reflectors may be ordered as accessories.
- **Optical Accessories:** Both OX and OH Aperture Assemblies accept one or two of a number of spread lenses or color filters. With the OX assembly lens orientation may be adjusted by rotating the cross baffle. A complimentary beam smoother is included with either assembly.
- **Luminaire provides 385° horizontal rotation and vertical adjustment from 0° to 90°.** Lamp focus can be locked by tightening two collar clamps using a 1/64" hex key.
- **For more information, [click here.](#)**

USB Key

To address this fixture from a Windows-based PC, laptop or tablet, a USB key (dongle) is required. Contact factory for USB key.

For the outlet box mounted version of luminaire, see [Artima/5 O-OBM Bluetooth.](#)

Artima/5 O Bluetooth is a track mounted accent light capable of 16° to 40° beam spreads. Luminaire is powered by Citizen chip-on-board LED's providing either a CRI of 97 within 2-step MacAdam ellipses or a CRI of 80 within 3-step MacAdam ellipses. See tables on reverse for wattages and efficacies.

PRODUCT CODE

For complete product code, list basic unit and select one item from each following box.

Basic Unit	A5-CZS2-XID	
Track Configuration		
120-volt track (e.g. SightLine)	+2C	
277-volt track (e.g. HighLine)	+HC	
Aperture Assembly		
Cross Baffle	- OX	
Open Aperture	- OH	
Beam Spread Reflector (specify one to ship with fixture)		
16° spot	- 16D	
28° narrow flood	- 28D	
40° flood	- 40D	
Finish		
white: white paint, white lead cord, matte aluminum heat sink	- WH	
black: black paint, black lead cord, black heat sink	- BL	
Industrial Silver: silver paint, black lead cord, black heat sink	- SI	
custom color: include paint number or physical chip with order and select one from below		
• white lead cord, matte aluminum heat sink	- CCW	
• black lead cord, black heat sink	- CCB	
• any other combinations require a special order		
Light Source Output (Lumens)		
2100 lumens / 97 CRI	2700K & 3000K only	- L21A
2800 lumens / 97 CRI	2700K & 3000K only	- L28A
3000 lumens / 97 CRI	2700K & 3000K only	- L30A
3900 lumens / 97 CRI	2700K & 3000K only	- L39A
2700 lumens / 80 CRI		- L27S
3600 lumens / 80 CRI		- L36S
4000 lumens / 80 CRI		- L40S
5100 lumens / 80 CRI		- L51S
Light Color		
2700 K	- 27K	
3000 K	- 30K	
3500 K	not available with all Light Outputs (see above)	- 35K
4000 K	not available with all Light Outputs (see above)	- 40K
5000 K	not available with all Light Outputs (see above)	- 50K
Circuit Limitations		
Luminaire operates only on track circuits with <u>no</u> dimmer on the circuit		

OPTION

Integral Dimmer: rotary dimmer located in side of driver case; dims to 1% on 120 or 277 volt track; see detail below

EXTRA APERTURES & REFLECTORS

Specify as separate line items.

Aperture Assembly		
Cross Baffle	RK-A5-CZ-OX	
Open Aperture	RK-A5-CZ-OH	
16° spot reflector		A5-CZS-REF16
28° narrow flood reflector		A5-CZS-REF28
40° flood reflector		A5-CZS-REF40

OPTICAL ACCESSORIES ▼ See next page



41-50 22ND STREET, LIC NY 11101 TEL 718.685.0700 FAX 718.786.8530 www.epl.com

©Copyright, Edison Price Lighting 2020
Artima is a registered trademark of Edison Price Lighting.

TF 11-180.7 2:20

INTEGRAL DIMMER OPTION (ID)

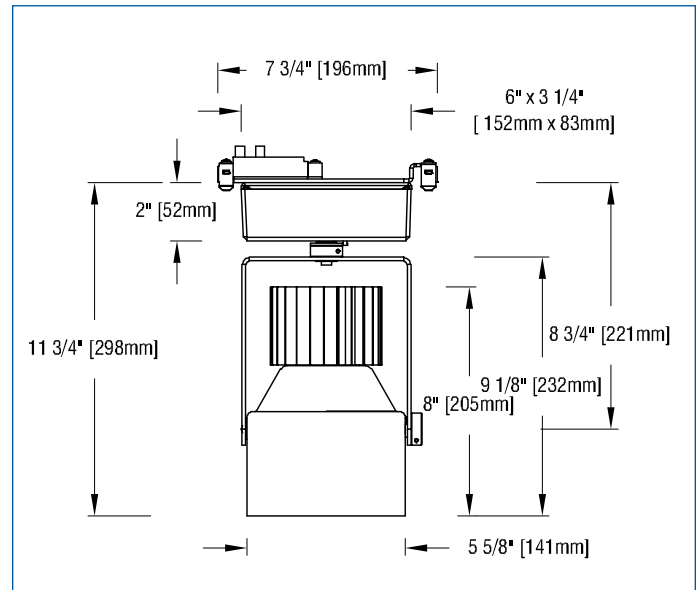
Integral rotary dimmer located in one side of the driver case: Dimmer control shaft is spring loaded, permitting shaft to be exposed for adjustment then depressed flush to conserve dimmer setting. "Clock face" markings permit registration of dimmer setting.



OPTICAL ACCESSORIES

Specify as separate line items.
All are 4 3/4" (121 mm) diameter. Lenses and filters are glass; screens are aluminum.

30° spread lens	LENS/4.75-30
20° x 55° spread lens	LENS/4.75
70° spread lens	LENS/4.75-70
prismatic lens (Solite)	PLS/4.75
40° x 70° spread lens	LENS/4.75-4070
beam smoother	CLR/4.75
color filters	
Daylight Blue	DAY/4.75
Surprise Pink	PNK/4.75
amber	AMB/4.75
blue	BLU/4.75
green	GRN/4.75
red	RED/4.75
33% light reduction screen	SCR33/4.75
50% light reduction screen	SCR50/4.75



BARN DOORS

Specify as separate line items.
Specify with one optical accessory (not included), see above.

white	BD-A5-WH
black	BD-A5-BL
silver	BD-A5-SI
custom color	BD-A5-CC



APPLICATIONS

Luminaire is suitable for highlighting vertical or horizontal surfaces, as well as objects in museums, galleries, showrooms, residences, offices and stores.

Luminaire is listed for mounting on Edison Price Lighting 120-volt or 277-volt track.

Fixture Spacing Requirements The track adapter of this fixture is 7 3/4" long. For this reason 1) it cannot be track-mounted closer than 8" on center and 2) it cannot be used with 2 of our 7 **Unicep** single-fixture track units.

Warranty Details

- This fixture is not suitable for use in direct sunlight, as under a skylight. Fixtures used in this way are not covered by our warranty.
- Our 5-year warranty does not include the provision of extraordinary means of access, e.g. scaffolding or Genie lifts, to service a product.

– see below for photometric reports –



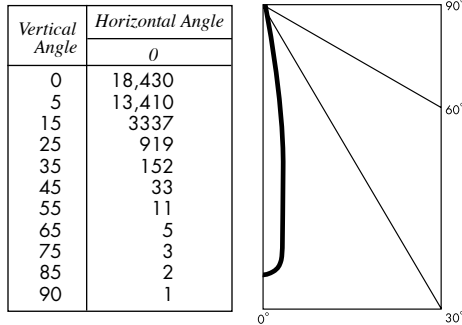
PHOTOMETRIC REPORT with 16° reflector (tested per IESNA LM-79-2008)

Prorated from Verification Services Report No. 12186406.04. Original test report furnished upon request.



Luminaire track-mounted LED accent light with a 16° reflector and black cross-baffle (NO LENS)
 Lamp Citizen LED, 5100 lumens, 3000K CCT
 Lamp Life rated 50,000 hours based on L70/B50 criteria. LM80 report by LED manufacturer furnished upon request

CANDLEPOWER DISTRIBUTION



LUMINAIRE LIGHT OUTPUT AND EFFICACY

LED Module Type	Luminaire Light Output	Luminaire CBCP	Luminaire Efficacy (lumens/watt)	System Wattage
2700 Lumens 80 CRI (L27S)	1396*	9768*	73*	19
3600 Lumens 80 CRI (L36S)	1870*	13,085*	69*	27
4000 Lumens 80 CRI (L40S)	2055*	14,375*	66*	31
5100 Lumens 80 CRI (L51S)	2634	18,430	59	45
2100 Lumens 97 CRI (L21A)	1159*	8109*	61*	19
2800 Lumens 97 CRI (L28A)	1422*	9952*	53*	27
3000 Lumens 97 CRI (L30A)	1580*	11,058*	51*	31
3900 Lumens 97 CRI (L39A)	2028*	14,191*	45*	45

*estimated values

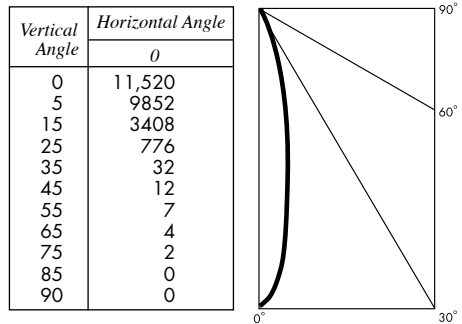
PHOTOMETRIC REPORT with 28° reflector (tested per IESNA LM-79-2008)

Verification Services Report No. 12186406.06. Original test report furnished upon request.



Luminaire track-mounted LED accent light with a 28° reflector and black cross-baffle (NO LENS)
 Lamp Citizen LED, 5100 lumens, 3000K Lamp Life..... see above

CANDLEPOWER DISTRIBUTION



LUMINAIRE LIGHT OUTPUT AND EFFICACY

LED Module Type	Luminaire Light Output	Luminaire CBCP	Luminaire Efficacy (lumens/watt)	System Wattage
2700 Lumens 80 CRI (L27S)	1205*	6106*	63*	19
3600 Lumens 80 CRI (L36S)	1614*	8179*	60*	27
4000 Lumens 80 CRI (L40S)	1773*	8986*	57*	31
5100 Lumens 80 CRI (L51S)	2273	11,520	51	45
2100 Lumens 97 CRI (L21A)	1000*	5069*	53*	19
2800 Lumens 97 CRI (L28A)	1227*	6221*	45*	27
3000 Lumens 97 CRI (L30A)	1364*	6912*	44*	31
3900 Lumens 97 CRI (L39A)	1750*	8870*	39*	45

*estimated values

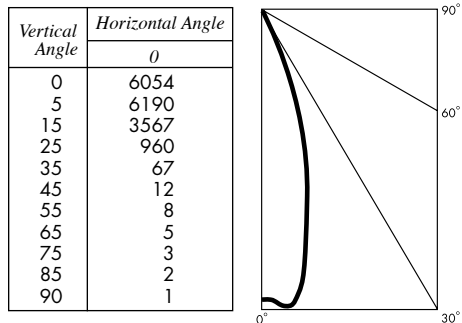
PHOTOMETRIC REPORT with 40° reflector (tested per IESNA LM-79-2008)

Verification Services Report No. 12186406.08. Original test report furnished upon request.



Luminaire track-mounted LED accent light with a 40° reflector and black cross-baffle (NO LENS)
 Lamp Citizen LED, 5100 lumens, 3000K Lamp Life..... see above

CANDLEPOWER DISTRIBUTION



LUMINAIRE LIGHT OUTPUT AND EFFICACY

LED Module Type	Luminaire Light Output	Luminaire CBCP	Luminaire Efficacy (lumens/watt)	System Wattage
2700 Lumens 80 CRI (L27S)	1118*	3281*	59*	19
3600 Lumens 80 CRI (L36S)	1497*	4395*	55*	27
4000 Lumens 80 CRI (L40S)	1645*	4828*	53*	31
5100 Lumens 80 CRI (L51S)	2109	6190	47	45
2100 Lumens 97 CRI (L21A)	928*	2724*	49*	19
2800 Lumens 97 CRI (L28A)	1139*	3343*	42*	27
3000 Lumens 97 CRI (L30A)	1265*	3714*	41*	31
3900 Lumens 97 CRI (L39A)	1624*	4766*	36*	45

*estimated values

PHOTOMETRIC REPORT with 16° reflector (tested per IESNA LM-79-2008)

Prorated from Verification Services Report No. 12186406.03. Original test report furnished upon request.

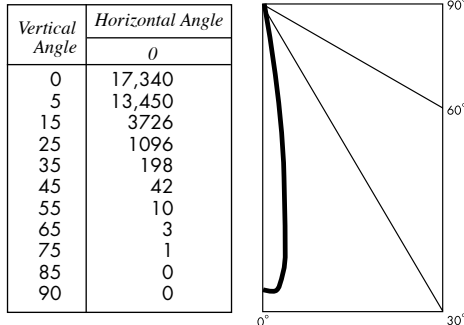
Luminaire track-mounted LED accent light with a 16° reflector and black lens holder (NO LENS)

Lamp Citizen LED, 5100 lumens, 3000K CCT

Lamp Life rated 50.000 hours based on L70/B50 criteria. LM80 report by LED manufacturer furnished upon request



CANDLEPOWER DISTRIBUTION



LUMINAIRE LIGHT OUTPUT AND EFFICACY

LED Module Type	Luminaire Light Output	Luminaire CBCP	Luminaire Efficacy (lumens/watt)	System Wattage
2700 Lumens 80 CRI (L27S)	1527*	9190*	80*	19
3600 Lumens 80 CRI (L36S)	2046*	12,311*	76*	27
4000 Lumens 80 CRI (L40S)	2247*	13,525*	72*	31
5100 Lumens 80 CRI (L51S)	2881	17,340	64	45
2100 Lumens 97 CRI (L21A)	1268*	7630*	67*	19
2800 Lumens 97 CRI (L28A)	1556*	9364*	58*	27
3000 Lumens 97 CRI (L30A)	1729*	10,404*	56*	31
3900 Lumens 97 CRI (L39A)	2218*	13,352*	49*	45

*estimated values

PHOTOMETRIC REPORT with 28° reflector (tested per IESNA LM-79-2008)

Verification Services Report No. 12186406.05. Original test report furnished upon request.

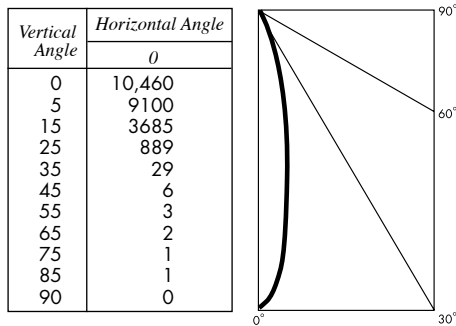
Luminaire track-mounted LED accent light with a 28° reflector and black lens holder (NO LENS)

Lamp Citizen LED, 5100 lumens, 3000K

Lamp Life see above



CANDLEPOWER DISTRIBUTION



LUMINAIRE LIGHT OUTPUT AND EFFICACY

LED Module Type	Luminaire Light Output	Luminaire CBCP	Luminaire Efficacy (lumens/watt)	System Wattage
2700 Lumens 80 CRI (L27S)	1225*	5544*	64*	19
3600 Lumens 80 CRI (L36S)	1642*	7427*	61*	27
4000 Lumens 80 CRI (L40S)	1803*	8159*	58*	31
5100 Lumens 80 CRI (L51S)	2312	10,460	52	45
2100 Lumens 97 CRI (L21A)	1017*	4602*	54*	19
2800 Lumens 97 CRI (L28A)	1248*	5648*	46*	27
3000 Lumens 97 CRI (L30A)	1387*	6276*	45*	31
3900 Lumens 97 CRI (L39A)	1780*	8054*	40*	45

*estimated values

PHOTOMETRIC REPORT with 40° reflector (tested per IESNA LM-79-2008)

Verification Services Report No. 12186406.07. Original test report furnished upon request.

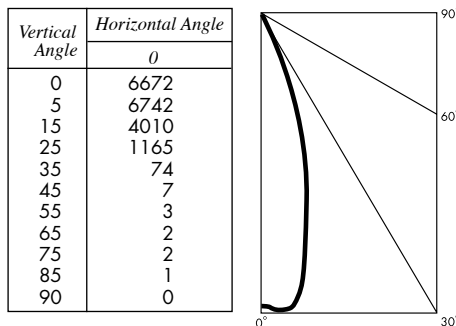
Luminaire track-mounted LED accent light with a 40° reflector and black lens holder (NO LENS)

Lamp Citizen LED, 5100 lumens, 3000K

Lamp Life see above



CANDLEPOWER DISTRIBUTION



LUMINAIRE LIGHT OUTPUT AND EFFICACY

LED Module Type	Luminaire Light Output	Luminaire CBCP	Luminaire Efficacy (lumens/watt)	System Wattage
2700 Lumens 80 CRI (L27S)	1256*	3582*	66*	19
3600 Lumens 80 CRI (L36S)	1682*	4798*	62*	27
4000 Lumens 80 CRI (L40S)	1848*	5271*	60*	31
5100 Lumens 80 CRI (L51S)	2369	6758	53	45
2100 Lumens 97 CRI (L21A)	1042*	2974*	55*	19
2800 Lumens 97 CRI (L28A)	1279*	3649*	47*	27
3000 Lumens 97 CRI (L30A)	1421*	4055*	46*	31
3900 Lumens 97 CRI (L39A)	1824*	5204*	41*	45

*estimated values

STANDARD DRIVER INFORMATION (UL Class 2, dry and damp location)

Voltage	120	277
Input Watts (L27S/L36S/L40S/L51S/L21A/L28A/L30A/L39A)	19/27/31/45/19/27/31/45	19/27/31/45/19/27/31/45
Input Current(A) (L27S/L36S/L40S/L51S/L21A/L28A/L30A/L39A)	16/23/26/38/16/23/26/38	.07/10/11/16/07/10/11/16
Output Current (mA)	500-1100	500-1100
Min. Power Factor	0.90	0.90
Operating Temperature Range (F)	-4 to 122	-4 to 122

LIGHT OUTPUT MULTIPLIER

LED Module Type	Light Output Multiplier
2700 Lumens 80 CRI (L27S)	0.53*
3600 Lumens 80 CRI (L36S)	0.71*
4000 Lumens 80 CRI (L40S)	0.78*
5100 Lumens 80 CRI (L51S)	1
2100 Lumens 97 CRI (L21A)	0.44*
2800 Lumens 97 CRI (L28A)	0.54*
3000 Lumens 97 CRI (L30A)	0.6*
3900 Lumens 97 CRI (L39A)	0.77*