

Project

Type



Date

Product Code

Designer

ARTIMA® MRE W-OBMX

surface mounted MR16 LED wallwasher



- Fixture is designed for mounting on a 4" octagonal outlet box (by others) and includes an integral 120/12-volt electronic transformer mounted on top of the outlet box cover.
- The optical assembly consists of an integral specular reflector and 40° x 70° spread lens.
- A socket cap prevents any backsplash of light onto the ceiling.
- Fixture provides 385° horizontal rotation and vertical adjustment from 0° to 90°. Lamp focus can be locked by tightening two collar clamps using 3/32" and 7/64" hex keys.
- Standard finish is matte white with a white socket lead; also available in black and Industrial Silver matte paint finishes.
- For more information, [click here](#).

APPLICATIONS

Fixture is suitable for wallwashing vertical surfaces in museums, galleries, showrooms, residences, offices and stores.

Fixture is suitable for 120-volt electrical service and cULus listed for mounting on a standard 4" octagonal outlet box (by others).

Lamp (By Others) Dimming Info

Edison Price Lighting does not include lamps and does not sell either lamps or their accessories. For dimming compatibility consult the lamp manufacturer's website.

Artima MRE W-OBMX is a wallwasher designed for use with 12-volt, GU5.3 base, MR16-shaped retrofit LED lamps (supplied by others) including:

- Philips 6.6 watt 6.6MR16/LED
7.0 watt 7MR16/LED
- Philips 6.5 watt WarmGlow
6.5MR16, dim-to-warm
- Soraa 7.5 watt Brilliant or Vivid LED
- Additional lamps may be suitable. Contact factory with inquiries.

PRODUCT CODE

Complete Product Code..... ART-MRE-W-OBMX
standard finish: matte white with white socket lead

OPTIONS

Specify by adding to the product code.

matte black housing finish

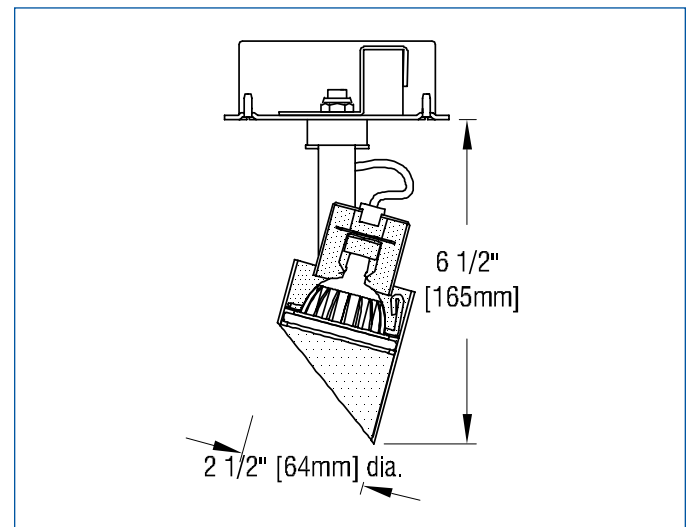
black socket lead standard – BLK

Industrial Silver housing finish

black socket lead standard – SIL

custom color paint housing finish

specify white or black socket lead – WSLV or – BSLV
and identify color in specification CCH



ARTIMA MRE W-OBMX

For current lamp performance data, consult lamp manufacturer's website.