

Project

Type

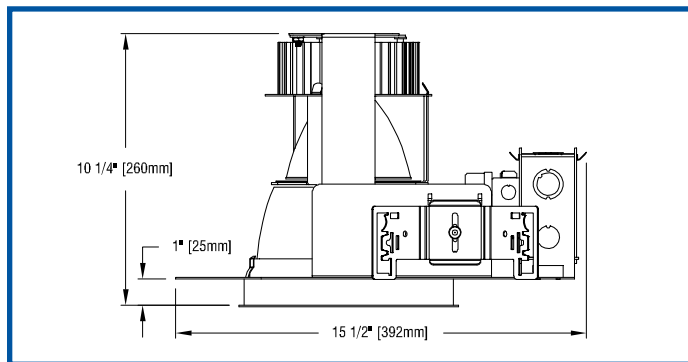
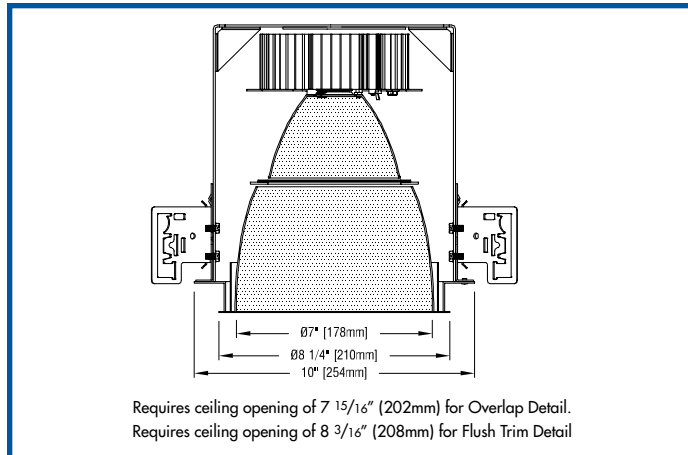


Date Product Code

Designer

ATRIUM DL/7 NSP recessed 9° LED downlight

HIGH OUTPUT - HIGH OUTPUT - HIGH OUTPUT - HIGH OUTPUT - HIGH OUTPUT - HIGH OUTPUT - HIGH OUTPUT - HIGH OUTPUT



Atrium DL/7 NSP is a 7" aperture 9° LED downlight capable of CBCP as high as 95,120! Luminaire is powered by Citizen chip-on-board LED's providing CRI's of 80+ or 97. See tables below for wattages and efficacies.

PRODUCT CODE

For complete product code, list basic unit and select one item from each following box.

Basic Unit	
standard	ATR-CZS2-7DL-9D
option: includes 5° diffuser	ATR-CZS2-7DL-9D-DF5
option: includes holder for Optical Accessories	ATR-CZS2-7DL-9D-LH

Driver	
dimable to 1% by a 0-10V dimmer on 120 or 277-volt service	DMV
dimable to 5% by either an incandescent or ELV dimmer;	
120-volt service only	DMP

Light Source Output (Lumens)	
2100L / 97CRI	L21A
2800L	L28A
3000L	L30A
3900L	L39A
4500L	L45A
2700L / 80+ CRI	L27S
3600L	L36S
4000L	L40S
5100L	L51S
6000L	L60S

Light Color	
2700 K	27K
3000 K	30K
3500 K	not available with L22A, L32A, L43A or L54A
4000 K	40K
5000 K	not available with L22A, L32A, L43A or L54A
	50K

Voltage	
120 volt service	120
277 volt service	277

External Reflector Color and Detail	<i>Overlap</i>	<i>Trim Flush*</i>
Semi-specular Clear	COL	CTF
Slightly diffuse Clear	VOL	VTF
Fully diffuse Clear	ECOL	ECTF
Champagne Gold	GOL	GTF
Black	BOL	BTF
White	WOL	WTF

Standard reflector flange continues reflector finish. White painted flanges and custom painted flanges are available on special order. Add WF (white flange) or CCF (custom color flange).

*Trim Flush reflector trim requires the use of a plaster ring Accessory (see below).

▶ Reflectors detailed for metal or wood ceilings available on special order.

FEATURES

- **Precise external reflector design** minimizes aperture brightness and provides a shielding angle of 40°.
- **Luminaire may be ordered with one of two options**
 - an integral, highly efficient, 5° plastic diffuser to soften the edges of the beam [DF5] – or –
 - an integral holder for one or two of a number of **Optical Accessories** including lenses and color filters (LH).
- **External reflectors are available in clear natural aluminum finishes** — semi-specular (C), slightly diffuse (V) or fully diffuse (EC) — as well as champagne gold, black Alzak® or white. Other finishes available on special order.
- **Housing is constructed from 14-gauge electro-zinc plated steel and 20-gauge electro-zinc, polyester-coated steel** in Edison Price Lighting's American factory. Heavy-gauge metals and American manufacturing guarantee long-lasting durability.
- **Luminaire includes a pair of mounting bars** (3/4" x 27" C channel).
- **For more information, [click here](#).**

APPLICATIONS

Luminaire is listed for Damp Location. Fixture is prewired with an insulation detecting thermal protector. Luminaire is approved for eight #12 wire 90° C branch circuit pull through wiring. Removal of the external reflector allows access to the LED module and junction box.



ACCESSORIES *Specify as separate line items.*

Plaster ring allows use of 7 7/8" OD Trim Flush (TF) reflector in sheetrock ceiling; 8 3/16" dia hole required.....TF RING/7

Warranty Detail

Our 5-year warranty does not include the provision of scaffolding, man-lifts, 'cherry pickers' or other extraordinary means of access to a product requiring maintenance.



OPTICAL ACCESSORIES

For use only with the "holder for Optical Accessories" fixture model; see Product Code / Basic Unit above.
All are 4 3/4" (121mm) diameter.

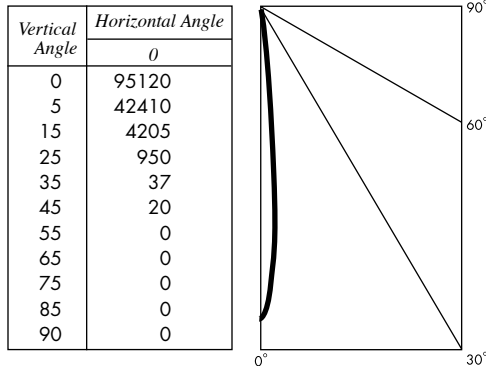
30° spread lens	LENS/4.75-30	color filters	
20° x 55° spread lens	LENS/4.75	Surprise Pink	PNK/4.75
prismatic lens (Solite)	PLS/4.75	Daylight Blue.....	DAY/4.75

PHOTOMETRIC REPORT with 9° reflector (TESTED PER IESNA LM-79-2008)

Verification Services Report No. 12846481.02. Original test report furnished upon request.

Luminaire recessed LED round downlight with semi-specular clear aluminum reflector
Lamp CITIZEN LED, 6000 lumens, 3000K CCT, 80 CRI, with 9° beam spread integral reflector (NO LENS)
Lamp Life rated 50,000 hours based on L70/B50 criteria. LM80 report by LED manufacturer furnished upon request
Spacing Criteria 0.18

CANDLEPOWER DISTRIBUTION (Candela)



LUMINAIRE LIGHT OUTPUT AND EFFICACY

(3000K LED, 15° beam spread integral reflector)

LED Light Engine	Luminaire Light Output	Luminaire CBCP	Luminaire Efficacy (lms/watt)	System Wattage
2100 Lumens 97 CRI (L21A)	1697*	33292*	81*	21
2800 Lumens 97 CRI (L28A)	2279*	44706*	76*	30
3000 Lumens 97 CRI (L30A)	2424*	47560*	71*	34
3900 Lumens 97 CRI (L39A)	3151*	61828*	66*	48
4500 Lumens 97 CRI (L45A)	3636*	71340*	64*	57
2700 Lumens 80 CRI (L27S)	2182*	42804*	104*	21
3600 Lumens 80 CRI (L36S)	2909*	57072*	97*	30
4000 Lumens 80 CRI (L40S)	3248*	63730*	96*	34
5100 Lumens 80 CRI (L51S)	4121*	80852*	86*	48
6000 Lumens 80 CRI (L60S)	4848	95120	85	57

*estimated values

LUMINANCE DATA

Vertical Angle	Candela/m ²
45	1139
55	0
65	0
75	0
85	0

ZONAL LUMEN SUMMARY

Zone	Lumens	% Fixture
0 - 40°	4833	99.7
0 - 60°	4848	100.0
0 - 90°	4848	100.0
90 - 180°	0	0.0

LIGHT OUTPUT MULTIPLIER (based on 6000 lumens, 3000K LED)

LED Light Engine	Light Output Multiplier
2100 Lumens 97 CRI (L21A)	0.35*
2800 Lumens 97 CRI (L28A)	0.47*
3000 Lumens 97 CRI (L30A)	0.50*
3900 Lumens 97 CRI (L39A)	0.65*
4500 Lumens 97 CRI (L45A)	0.75*
2700 Lumens 80 CRI (L27S)	0.45*
3600 Lumens 80 CRI (L36S)	0.60*
4000 Lumens 80 CRI (L40S)	0.67*
5100 Lumens 80 CRI (L51S)	0.85*
6000 Lumens 80 CRI (L60S)	1

*estimated values

STANDARD DRIVER INFORMATION

UL Class 2, dry and damp location

Voltage	120	277
Input Watts (L21A/L28A/L30A/L39A/L45A/L27S/L36S/L40S/L51S/L60S lumens)	21/30/34/48/57	21/30/34/48/57
Input Current (A) (L21A/L28A/L30A/L39A/L45A/L27S/L36S/L40S/L51S/L60S lumens)	.18/25/28/40/48	.08/11/12/17/21
Min. Power Factor	>0.9	>0.9
Operating Temperature Range (F)	-4 to 122	-4 to 122

REFLECTOR COLOR MULTIPLIERS

Semi-specular clear (C)	1
Slightly diffuse clear (V)	.95
Fully diffuse clear (EC)	.88
Champagne gold clear (G)	.95
Black (B)	.49

LED CCT MULTIPLIERS

2700K	.96
3000K	1
3500K	1.02
4000K	1.03
5000K	1.04