

Project

Date Product Code

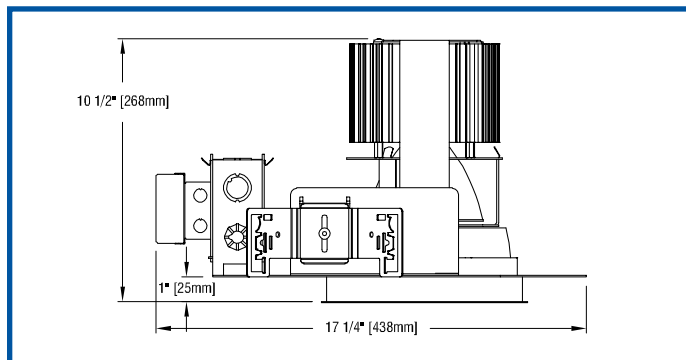
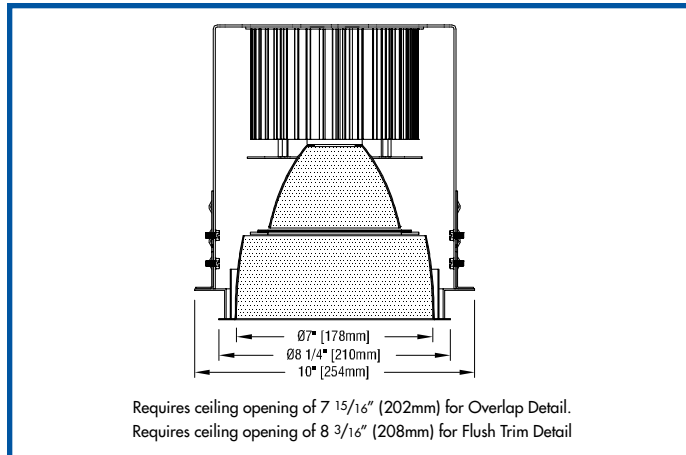
Type

Designer



ATRIUM DL/7 HI recessed LED downlight

HIGH OUTPUT - HIGH OUTPUT - HIGH OUTPUT - HIGH OUTPUT - HIGH OUTPUT - HIGH OUTPUT - HIGH OUTPUT - HIGH OUTPUT



FEATURES

- Luminaire employs an internal 'twist and lock' reflector to produce an initial beamspread of 15°, 21° or 38°. To allow beamspread to be changed in installed luminaires, internal reflectors are available as accessories.
- Precise external reflector design minimizes aperture brightness and provides a shielding angle of 40°.
- Luminaire may be ordered with integral, highly efficient, 5° plastic diffuser to soften the edges of the beam [F].
- External reflectors are available in clear natural aluminum finishes — semi-specular (C), slightly diffuse (V) or fully diffuse (EC) — as well as champagne gold, black Alzak® or white. Other finishes available on special order.
- Housing is constructed from 14-gauge electro-zinc plated steel and 20-gauge electro-zinc, polyester-coated steel in Edison Price Lighting's American factory. Heavy-gauge metals and American manufacturing guarantee long-lasting durability.
- Luminaire includes a pair of mounting bars (3/4" x 27" C channel).
- For more information, [click here](#).

APPLICATIONS

Luminaire is listed for Damp Location. Fixture is prewired with an insulation detecting thermal protector. Luminaire is approved for eight #12 wire 90° C branch circuit pull through wiring. Removal of the external reflector allows access to the LED module and junction box.



For lower pricing, see [LED FTF DL](#)

Atrium DL/7 HI is a 7" aperture LED downlight with light source outputs as high as 8000 lumens. Luminaire is powered by Citizen chip-on-board LED's providing CRI's of 80+ or 97. See tables below for wattages and efficacies.

PRODUCT CODE

For complete product code, list basic unit and select one item from each following box.

Basic Unit	
standard	ATR-CZL2-7DL
option: includes 5° diffuser	ATR-CZL2-7DL-F

Internal Reflector	
15° initial beam spread	15D
21° initial beam spread	21D
38° initial beam spread	38D

Driver	
eldoLED 0-10V (Logarithmic) driver dimmable to 1% with a 0-10V dimmer on 120 or 277-volt service	- DMVELG
eldoLED 0-10V (Linear) driver dimmable to 1% with a 0-10V dimmer on 120 or 277-volt service	- DMVELN
eldoLED 0-10V (Logarithmic) driver dimmable to 0.1% with a 0-10V dimmer on 120 or 277-volt service	- DVOELG
eldoLED 0-10V (Linear) driver dimmable to 0.1% with a 0-10V dimmer on 120 or 277-volt service	- DVOELN

Light Source Output (Lumens)	
6000L / 97CRI	- L60A
8000L / 80+ CRI	- L80S

Light Color	
2700 K	- 27K
3000 K	- 30K
3500 K	- 35K
4000 K	- 40K
5000 K	- 50K

Voltage	
120 volt service	- 120
277 volt service	- 277

External Reflector Color and Detail	<i>Overlap</i>	<i>Trim Flush*</i>
Semi-specular Clear	COL	CTF
Slightly diffuse Clear	VOL	VTF
Fully diffuse Clear	ECOL	ECTF
Champagne Gold	GOL	GTF
Black	BOL	BTF
White	WOL	WTF

Standard reflector flange continues reflector finish. White painted flanges and custom painted flanges are available on special order. Add WF (white flange) or CCF (custom color flange).
*Trim Flush reflector trim requires the use of a plaster ring Accessory (see below).
▶ Reflectors detailed for metal or wood ceilings available on special order.

ACCESSORIES Specify as separate line items.

Plaster ring allows use of 7 7/8" OD Trim Flush (-TF) reflector in sheetrock ceiling; 8 3/16" dia hole required	TF RING/7
--	-----------

EXTRA REFLECTORS Specify as separate line items.

15° initial beam spread	RK-MX-CZL2-REF-15D
21° initial beam spread	RK-MX-CZL2-REF-21D
38° initial beam spread	RK-MX-CZL2-REF-38D

Warranty Detail
Our 5-year warranty does not include the provision of scaffolding, man-lifts, 'cherry pickers' or other extraordinary means of access to a product requiring maintenance.

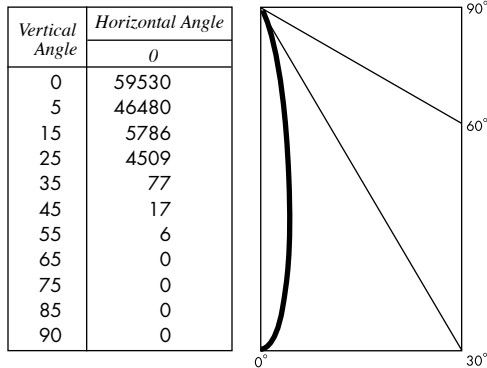


PHOTOMETRIC REPORT with 15° reflector (TESTED PER IESNA LM-79-2008)

Verification Services Report No. 12988161.01A. Original test report furnished upon request.

Luminaire recessed LED round downlight with semi-specular clear aluminum reflector
 Lamp CITIZEN LED, 8000 lumens, 3000K CCT, 80 CRI, with 15° beam spread integral reflector (NO LENS)
 Lamp Life rated 50,000 hours based on L70/B50 criteria. LM80 report by LED manufacturer furnished upon request
 Spacing Criteria 0.26

CANDLEPOWER DISTRIBUTION (Candela)



LUMINAIRE LIGHT OUTPUT AND EFFICACY

(3000K LED, 15° beam spread integral reflector)

LED Light Engine	Luminaire Light Output	Luminaire CBCP	Luminaire Efficacy (lms/watt)	System Wattage
8000 Lumens 80+ CRI (L80S)	7138	59530	108	66
6000 Lumens 97 CRI (L60A)	5425*	45243*	82*	66

*estimated values

LUMINANCE DATA

Vertical Angle	Candela/m ²
45	969
55	421
65	0
75	0
85	0

ZONAL LUMEN SUMMARY

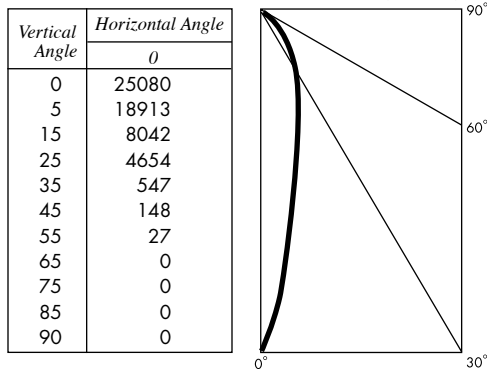
Zone	Lumens	% Fixture
0 - 40°	7119	99.7
0 - 60°	7138	100.0
0 - 90°	7138	100.0
90 - 180°	0	0.0

PHOTOMETRIC REPORT with 21° reflector (TESTED PER IESNA LM-79-2008)

Verification Services Report No. 13033600.01. Original test report furnished upon request.

Luminaire recessed LED round downlight with semi-specular clear aluminum reflector
 Lamp CITIZEN LED, 8000 lumens, 3000K CCT, 80 CRI, with 21° beam spread integral reflector (NO LENS)
 Lamp Life rated 50,000 hours based on L70/B50 criteria. LM80 report by LED manufacturer furnished upon request
 Spacing Criteria 0.36

CANDLEPOWER DISTRIBUTION (Candela)



LUMINAIRE LIGHT OUTPUT AND EFFICACY

(3000K LED, 21° beam spread integral reflector)

LED Light Engine	Luminaire Light Output	Luminaire CBCP	Luminaire Efficacy (lms/watt)	System Wattage
8000 Lumens 80+ CRI (L80S)	6665	25080	101	66
6000 Lumens 97 CRI (L60A)	5065*	19061*	77*	66

*estimated values

LUMINANCE DATA

Vertical Angle	Candela/m ²
45	8432
55	1896
65	0
75	0
85	0

ZONAL LUMEN SUMMARY

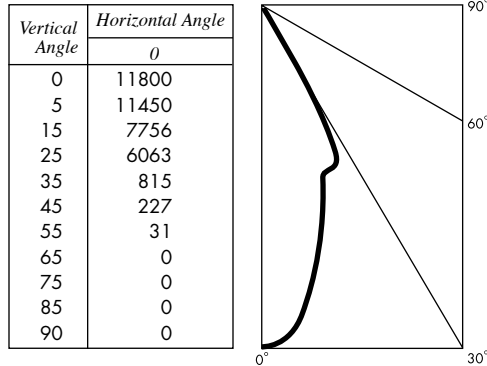
Zone	Lumens	% Fixture
0 - 40°	6513	97.7
0 - 60°	6665	100.0
0 - 90°	6665	100.0
90 - 180°	0	0.0

PHOTOMETRIC REPORT with 38° reflector (TESTED PER IESNA LM-79-2008)

Verification Services Report No. 13000046.02. Original test report furnished upon request.

Luminaire recessed LED round downlight with semi-specular clear aluminum reflector
 Lamp CITIZEN LED, 8000 lumens, 3000K CCT, 80 CRI, with 38° beam spread integral reflector (NO LENS).
 Lamp Life rated 50,000 hours based on L70/B50 criteria. LM80 report by LED manufacturer furnished upon request
 Spacing Criteria 0.64

CANDLEPOWER DISTRIBUTION (Candela)



LUMINAIRE LIGHT OUTPUT AND EFFICACY

(3000K LED, 38° beam spread integral reflector)

	Luminaire Light Output	Luminaire CBCP	Luminaire Efficacy (lms/watt)	System Wattage
LED Light Engine				
8000 Lumens 80+ CRI (L80S)	6725	11800	102	66
6000 Lumens 97 CRI (L60A)	5111	8968	77	66

LUMINANCE DATA ZONAL LUMEN SUMMARY

Vertical Angle	Candelam ²	Zone	Lumens	% Fixture
45	12,932	0 - 40°	6500	96.7
55	2177	0 - 60°	6725	100.0
65	0	0 - 90°	6725	100.0
75	0	90 - 180°	0	0.0
85	0			

LIGHT OUTPUT MULTIPLIER (based on 8000 lumens, 3000K LED)

LED Light Engine	Light Output Multiplier
8000 Lumens 80+ CRI (L80S)	1
6000 Lumens 97 CRI (L60A)	0.76*

*estimated values

STANDARD DRIVER INFORMATION

UL Class 2, dry and damp location

Voltage	120	277
Input Watts (L60A/L80S lumens)	66/66	66/66
Input Current (A) (L60A/L80S lumens)	.55/55	.24/24
Min. Power Factor	>0.9	>0.9
Operating Temperature Range (F)	-4 to 122	-4 to 122

REFLECTOR COLOR MULTIPLIERS

Semi-specular clear (C)	1
Slightly diffuse clear (V)	.95
Fully diffuse clear (EC)	.88
Champagne gold clear (G)	.95
Black (B)	.49

LED CCT MULTIPLIERS

2700K	.96
3000K	1
3500K	1.02
4000K	1.03
5000K	1.04