

Project

Type



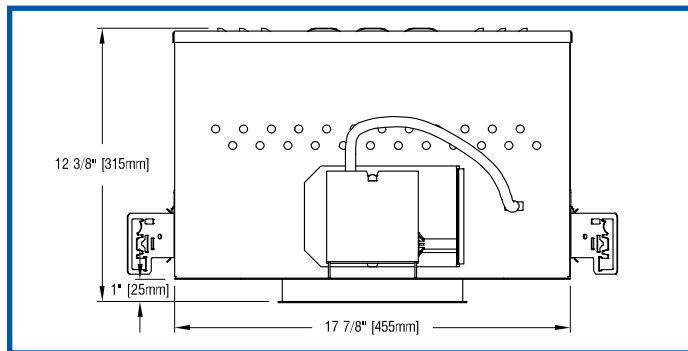
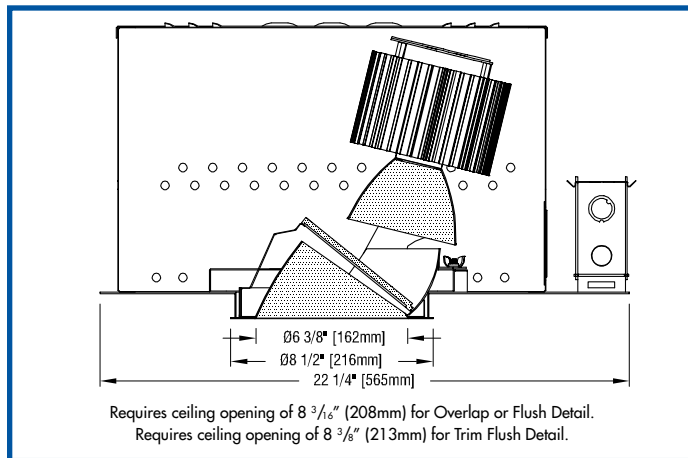
Date

Product Code

Designer

ATRIUM WL/7 HI recessed LED wallwasher

HIGH OUTPUT - HIGH OUTPUT - HIGH OUTPUT - HIGH OUTPUT - HIGH OUTPUT - HIGH OUTPUT - HIGH OUTPUT - HIGH OUTPUT



ATRIUM WL/7 HI is a 7" aperture LED wallwasher with light source outputs as high as 8000 lumens. Luminaire is powered by Citizen chip-on-board LED's providing CRI's of 80+ or 97. See tables below for wattages and efficacies.

PRODUCT CODE

For complete product code, list basic unit and select one item from each following box.

Basic Unit	ATR-H-CZL2-7WL	
Driver		
eldoLED 0-10V (Logarithmic) driver dimmable to 1% with a 0-10V dimmer on 120 or 277-volt service	-	DMVELG
eldoLED 0-10V (Linear) driver dimmable to 1% with a 0-10V dimmer on 120 or 277-volt service	-	DMVELN
eldoLED 0-10V (Logarithmic) driver dimmable to 0.1% with a 0-10V dimmer on 120 or 277-volt service	-	DVOELG
eldoLED 0-10V (Linear) driver dimmable to 0.1% with a 0-10V dimmer on 120 or 277-volt service	-	DVOELN
Light Source Output (Lumens)		
6000L / 97CRI	-	L60A
8000L / 80+ CRI	-	L80S
Light Color		
2700 K	-	27K
3000 K	-	30K
3500 K	not available with L60A	35K
4000 K	-	40K
5000 K	not available with L60A	50K
Voltage		
120 volt service	-	120
277 volt service	-	277
External Reflector Color and Detail	<i>Overlap</i>	<i>Trim Flush*</i>
Semi-specular Clear	COL	CTF
Slightly diffuse Clear	VOL	VTF
Fully diffuse Clear	ECOL	ECTF
Champagne Gold	GOL	GTF
Black	BOL	BTF
White	WOL	WTF
Standard reflector flange continues reflector finish. White painted flanges and custom painted flanges are available on special order. Add WF (white flange) or CCF (custom color flange).		
*Trim Flush reflector trim requires the use of a plaster ring Accessory (see below).		
▶ Reflectors detailed for metal or wood ceilings available on special order.		

FEATURES

- **Precise reflectors design provides uniform illumination** on vertical surfaces up to the ceiling line and minimizes aperture brightness. The optical assembly consists of two internal reflectors, a 40° x 70° glass spread lens, and an external trim. Assembly may be rotated 359°, oriented as desired and locked in place.
- **External reflectors are available in clear natural aluminum finishes** — semi-specular (C), slightly diffuse (V) or fully diffuse (EC) — or champagne gold, black Alzak® or white. Other finishes available on special order.
- **Luminaire includes a pair of mounting bars** (3/4" x 27" C channel).
- **For more information, [click here](#).**

APPLICATIONS

Luminaire is listed for Damp Location. Fixture is prewired with an insulation detecting thermal protector. Luminaire approved for eight #12 wire 90° C branch circuit pull through wiring and is suitable for use in a fire rated ceiling. Removal of external reflector allows access to LED and junction box.



ACCESSORIES *Specify as separate line items.*

Plaster ring allows use of 8 1/8" OD Trim Flush (-TF) reflector in sheetrock ceiling; 8 3/8" dia hole requiredTF RING/6WL

Warranty Detail Our 5-year warranty does not include the provision of scaffolding, man-lifts, 'cherry pickers' or other extraordinary means of access to a product requiring maintenance.

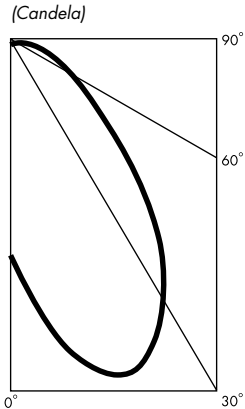


PHOTOMETRIC REPORT (tested per IESNA LM-79-2008)

Prorated Verification Services Report No. 13138033.01. Original test report furnished upon request.

Luminaire recessed LED round lensed wallwasher with semi-specular clear aluminum reflector
 Lamp CITIZEN LED, 8000 lumens, 3000K CCT, 80 CRI, with 38° beam spread integral reflector
 Lamp Life rated 50,000 hours based on L70/B50 criteria. LM80 report by LED manufacturer furnished upon request

CANDLEPOWER DISTRIBUTION



WALLWASH INFORMATION

(Based on 8000 Lumens 3000K 80 CRI LED)

Distance From Ceiling (Feet)	5' 0" From Wall; 5' 0" O.C.		6' 0" From Wall; 6' 0" O.C.	
	Below Fixture	Between Fixtures	Below Fixture	Between Fixtures
1	17	14	9	8
2	25	23	16	15
3	31	28	20	18
4	35	31	22	20
5	39	33	25	22
6	40	35	27	23
7	37	34	27	24
8	33	32	26	24
9	30	28	24	23
10	26	25	22	21
11	23	22	20	19
12	20	20	18	18
13	17	17	16	16
14	15	15	15	14
15	13	13	13	13
16	12	12	12	11
17	10	10	10	10
18	9	9	9	9
19	8	8	8	8
20	7	7	7	7
21	6	6	7	7
22	6	6	6	6

This table lists initial illuminance values at the center of a row of at least 5 fixtures with no contribution from ceiling or floor reflectance.

LUMINAIRE LIGHT OUTPUT AND EFFICACY

LED Light Engine	Luminaire Light Output	Luminaire CBCP	Luminaire Efficacy (lms/watt)	System Wattage
L80S	3779	4343	57	66
L60A	2872*	3225*	44*	66

*estimated values

STANDARD DRIVER INFORMATION

UL Class 2, dry and damp location

Voltage	120	277
Input Watts (L60A/L80S lumens)	66/66	66/66
Input Current (A) (L60A/L80S lumens)	.55/55	.24/24
Min. Power Factor	>0.9	>0.9
Operating Temperature Range (F)	-4 to 122	-4 to 122

LIGHT OUTPUT MULTIPLIER (based on 8000 lumens, 3000K LED)

LED Light Engine	Light Output Multiplier
8000 Lumens 80+ CRI (L80S)	1
6000 Lumens 97 CRI (L60A)	0.76*

*estimated values

REFLECTOR COLOR MULTIPLIERS

Semi-specular clear (C)	1
Slightly diffuse clear (V)	.95
Fully diffuse clear (EC)	.88
Champagne gold clear (G)	.95
Black (B)	.49

LED CCT MULTIPLIERS

2700K	.96
3000K	1
3500K	1.02
4000K	1.03
5000K	1.04