

AURA (AUR)

AI TRACK LIGHTING



LIGHT WITH INSIGHT

Aura's AI-powered track fixture automatically adapts its full color spectrum to anything it illuminates, delivering perfect color, contrast, and vibrancy without manual adjustments. Ideal for galleries, retail, hospitality, and high-end interiors, it ensures every artwork, display, or space is always displayed in its best light.



HOW IT WORKS

1. Place Your Subject

From vibrant artwork to textured materials, simply position your piece under the fixture.

2. AI Scene Detection

Aura analyzes the full range of tones, textures, and colors in real time.

Behind the scenes: Aura uses patented COB LEDs (WW + RGB) and a built-in color sensor to detect the color of the illuminated object. Its integrated AI algorithm calculates the optimal color output from the lighting application library for precise results.

3. Automatic Color Optimization

Light output adjusts instantly across the entire spectrum to enrich contrast, depth, and vibrancy, ensuring true-to-life presentation.

Technical details: The AI precisely controls the driving current of each LED, producing a wider color gamut, improved saturation, and more accurate color temperature and chromaticity coordinates for natural and impactful presentation.

4. App Control

The companion app gives you full flexibility to:

- Adjust light manually when desired
- Switch between automatic and manual modes
- Schedule timed adjustments (e.g., every 5 minutes) to maintain peak color vibrancy throughout the day

5. Smart Analytics

Built-in sensors track how people interact with your displays:

- Visitor Counting – measures how many people view a specific item or area
- Hot Spot Detection – identifies high-traffic zones in real time
- Data Collection – all insights are stored in the app for marketing, merchandising, or curatorial decisions

Download App Here

COMING SOON

THE BENEFIT

As your displays, interiors, or collections change, the fixture adapts—automatically or by your direction. And with built-in analytics, you gain valuable data to optimize presentation, track engagement, and maximize impact.



INTRODUCTION

This track fixture features built-in AI that automatically adjusts across the full color spectrum to enhance anything it illuminates. Equipped with an AI-powered color sensor, it continuously adapts its light spectrum, including CCT and chromaticity coordinates, based on what it detects. The result is lighting that requires no manual settings or guesswork, ensuring artwork, displays, or interiors are always shown in their best light.

APPLICATIONS

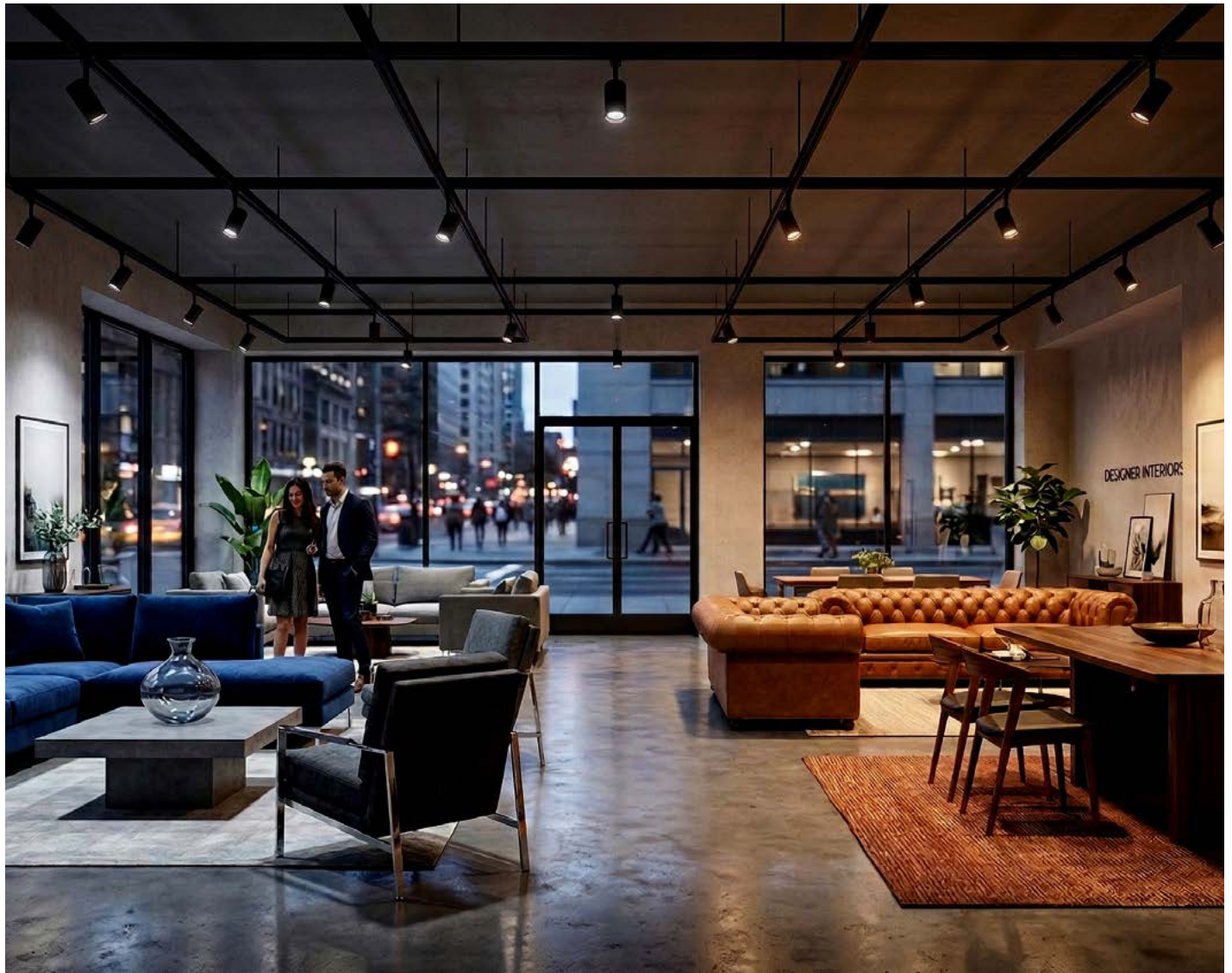
Ideal for galleries, retail, hospitality, and residential settings where accurate color rendering and visual comfort are essential. Its adaptive spectrum makes it especially suited for environments that demand precise presentation, such as exhibitions and high-end interior spaces.

FEATURES

- **Intelligent Lighting:** AI Scene Detection and Automatic Color Optimization adjust light in real time.
- **Vivid, Accurate Colors:** Wide color gamut ($R_a > 95$, $R_f > 97$, $R_g > 100$) for true-to-life presentation.
- **Visual Comfort:** Dark Light optics and glare control ($UGR \leq 19$ standard, ≤ 16 optional) reduce eye strain.
- **Flexible Control:** Companion application allows manual adjustments, automatic mode, and scheduled changes.
- **Actionable Insights:** Built-in sensors track visitor interaction and provide data for display optimization.

SPECIFICATIONS

LUMENS	2500L
INPUT VOLTAGE	120 Vac
CCT	RGB + 2700K-6500K
CRI	90+, Add $R_f > 97$, $R_g > 100$
COLOR QUALITY	2 SDCM
OPTICS	24°, 36°, 50°
WATTAGE	35W
FINISHES	White (WH), Black (BK)
ROTATION	355°
ADJUSTABILITY	90°
DIMMING & CONTROL	Bluetooth MESH (BLE Mesh)
TECHNOLOGIES	RGB + Tunable White
PHOTOMETRIC TEST	In Accordance with IES LM79-08, LM80 and TM-30, TM-21
CBCP	4500cd
LUMEN MAINTENANCE FACTOR	L70>102000H
GLARE RATING (UGR)	UGR>19 standard, >16 optional up to 9 UGR<9
LISTINGS	ETL, FCC, JA8, ROHS Certified to UL standard 1574 and CSA C22.2 No. 9.0 for dry locations
DECIBEL RATING	<21 db
IDEAL TEMPERATURE	14°F-86°F
WARRANTY	5 Years



FROM COOL TO WARM, WITHOUT INTERVENTION.

Aura continuously adjusts its spectrum to reflect what's in front of it maintaining balance across the entire scene and enhancing the true color of every surface.

Driven by an integrated color sensor, Aura continuously adjusts CCT and chromaticity in real time.



ORDERING GUIDE

Example: AUR-2500L-27K-65K-90-24D-BLE-120V

FAMILY-	LUMENS	CCT	CRI	OPTICS	DRIVERS	VOLTAGE	FINISH	OPTICAL ACCESSORIES
AUR AURA AI TRACK LIGHTING	2700L	27K-65K	90	24D 24° 36D 36° 50D 50°	BLE	120V	WH White BK Black	HCL-1 Honey Comb Louver 0.1" (UGR<9) HCL-2 Honey Comb Louver 0.2" (UGR<16)

AI-Driven Intelligence

AURA is powered by an AI-enabled track system that allows the lighting to respond dynamically to its surroundings. Using integrated sensors and real-time data, the system can adjust light levels based on occupancy, movement, or changes in the environment — delivering the right amount of light where and when it's needed. This adaptive functionality improves energy efficiency, enhances comfort, and supports human-centric lighting strategies by responding intelligently to people and objects in the space.

Performance & Flexibility

AURA delivers high-output performance with exceptional consistency, producing clean lines of uniform light. Designed to integrate seamlessly into the AI Track system, AURA provides scalable illumination solutions ideal for commercial, retail, and hospitality settings. Available in a range of CCTs and CRI options, it balances powerful output with excellent color rendering and long-term efficiency.

Construction & Compatibility

AURA is built with a precision-extruded aluminum housing and features a seamless opal lens for a clean, architectural finish. Designed specifically for the AI Track platform, it installs easily via magnetic connection and integrated busbars — allowing for tool-free installation, quick repositioning, and compatibility with various mounting configurations including recessed and surface-mount options. Its flexible structure offers 355° horizontal rotation and 90° vertical swing angle, ensuring precise aiming and adaptability in any space.

Visual Comfort & Optics

Optimized for visual comfort, AURA incorporates a high-transmission diffuser that minimizes glare while maintaining consistent light distribution. The low UGR (Unified Glare Rating) ensures reduced eye strain, making it well-suited for workspaces, lounges, and public areas. Select optics configurations, including three interchangeable beam angle lenses that can be swapped on site to reduce SKU, are available for applications requiring wall washing, grazing, or accent lighting.

Electrical & Controls

Powered through the AI Track's low-voltage system, AURA uses integrated busbars to distribute both power and control signals. This infrastructure allows for streamlined wiring and advanced control compatibility with wireless Bluetooth mesh protocol. AURA supports intelligent lighting strategies including grouping, zoning, and occupancy-based response.

Compliance & Reliability

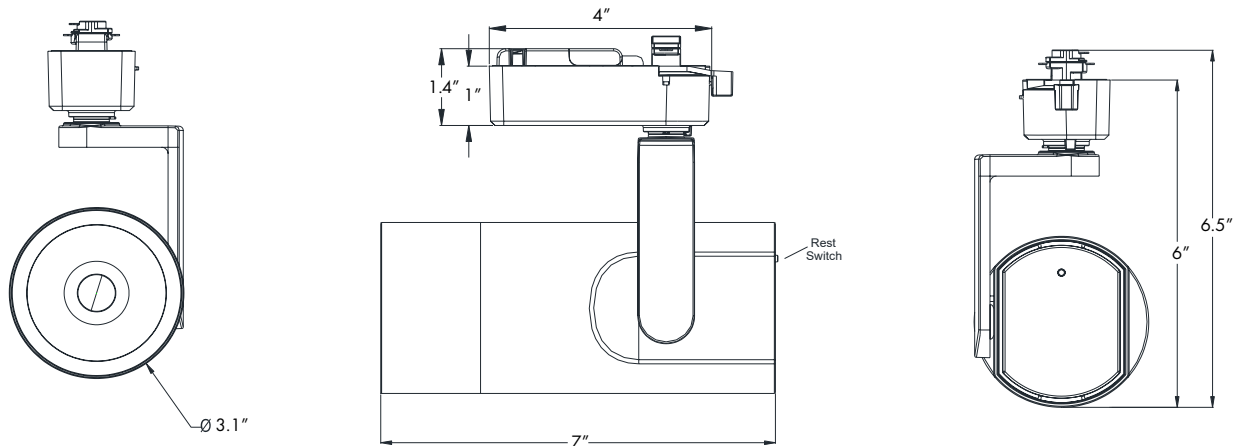
AURA is engineered to meet rigorous industry standards for safety, performance, and longevity. The system is UL-listed and complies with all relevant electrical and environmental regulations, ensuring safe operation in commercial and architectural settings. Components undergo extensive quality assurance testing, including thermal management, impact resistance, and continuous run performance. Built with long-life LEDs and robust materials, AURA is designed for years of reliable, maintenance-free operation in demanding environments.

Dimming & Driver Information

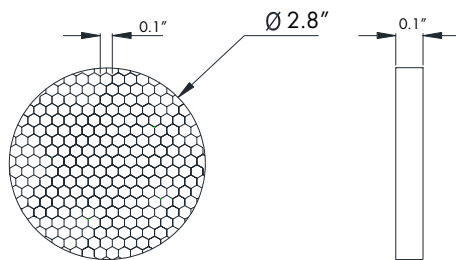
AURA features a high-efficiency constant-current driver engineered for smooth, flicker-free dimming down to 1%. The BLE (Bluetooth Low Energy) driver is remotely housed within the AI Track system, reducing the physical footprint of the fixture and simplifying maintenance. BLE enables wireless dimming control and seamless integration with modern lighting control systems.

Factory Reset

Press the top button on the fixture for 5 seconds to restore factory settings.



ACCESSORIES

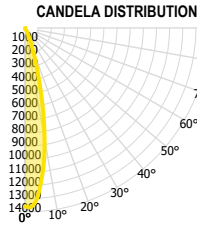


HCL-1
UGR<9

AUR-2500-27K-65K-90-24D-BLE-BK

TEST NO.: EPL10092509

INPUT WATTS: 36.3 LUMENS: 2344 EFFICACY: 65 BEAM ANGLE: 24 SPACING CRITERIA: 0.40



	0°	90°
0°	13579	13579
10°	8573	8033
20°	1662	1644
30°	178	257
40°	48	62
50°	16	23
60°	4	4
70°	2	1
80°	1	1
90°	0	0

	0.00°	90.00°
0.00°	2701480	2701480
45.00°	8619	10766
55.00°	2339	4043
65.00°	1329	935
75.00°	1447	763
85.00°	1073	1312

ZONE	LUMENS
0° - 10°	964
10° - 20°	996
20° - 30°	279
30° - 40°	65
40° - 50°	26
50° - 60°	9
60° - 70°	2
70° - 80°	2
80° - 90°	1

ZONE	LUMENS	% LUMINAIRE
0° - 20°	1960	84%
0° - 30°	2239	96%
0° - 40°	2304	98%
0° - 60°	2339	100%
0° - 80°	2343	100%
0° - 90°	2344	100%

CONE OF LIGHT

MOUNTING HEIGHT	FC AT BEAM CENTER	BEAM DIA. 0°-180°	BEAM DIA. 90°-270°
6.0 m	377.2 lx	2.2 m	2.3 m
8.0 m	212.2 lx	2.9 m	3.0 m
10.0 m	135.8 lx	3.6 m	3.8 m
12.0 m	94.3 lx	4.4 m	4.5 m
14.0 m	69.3 lx	5.1 m	5.3 m
16.0 m	53.0 lx	5.8 m	6.1 m
18.0 m	41.9 lx	6.6 m	6.8 m
20.0 m	33.9 lx	7.3 m	7.6 m

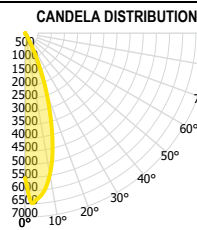
INDOOR COEFFICIENTS OF UTILIZATION

pf	pc	80%																70%																20%																0%
		pw	70%	50%	30%	10%	70%	50%	30%	10%	50%	30%	10%	50%	30%	10%	50%	30%	10%	50%	30%	10%	0%																											
0	119	119	119	119	119	116	116	116	116	111	111	111	106	106	106	102	102	102	102	100	100	100	100	100																										
1	115	113	111	110	113	111	109	108	107	106	105	103	102	101	100	99	99	99	99	97	97	97	97	97																										
2	112	108	105	103	110	106	104	102	103	101	99	100	99	97	98	97	98	97	95	94	94	94	94	94																										
3	108	104	100	98	106	102	99	97	100	97	95	98	96	94	96	94	96	94	92	91	91	91	91	91																										
4	105	100	96	93	104	99	95	93	97	94	92	95	93	91	93	91	93	91	90	89	89	89	89	89																										
5	102	97	93	90	101	96	92	89	94	91	89	93	90	88	91	89	87	87	86	86	86	86	86	86																										
6	100	94	90	87	98	93	89	87	92	88	86	90	88	85	89	87	85	85	84	84	84	84	84	84																										
7	97	91	87	84	96	90	87	84	89	86	84	88	85	83	87	85	83	83	82	82	82	82	82	82																										
8	95	88	84	82	94	88	84	82	87	84	81	86	83	81	85	83	81	81	80	80	80	80	80	80																										
9	92	86	82	80	91	86	82	79	85	82	79	84	81	79	83	81	79	79	78	78	78	78	78	78																										
10	90	84	80	78	89	84	80	78	83	80	77	82	79	77	82	79	77	77	76	76	76	76	76	76																										

AUR-2500-27K-65K-90-36D-BLE-BK

TEST NO.: EPL10092509

INPUT WATTS: 36.4 LUMENS: 1970 EFFICACY: 54 BEAM ANGLE: 36 SPACING CRITERIA: 0.62



	0°	90°
0°	5516	5516
10°	5450	5610
20°	2371	2694
30°	334	555
40°	77	101
50°	18	25
60°	5	4
70°	3	1
80°	2	1
90°	0	0

	0.00°	90.00°
0.00°	1097291	1097291
45.00°	9143	15258
55.00°	2791	4132
65.00°	1673	1033
75.00°	1848	763
85.00°	953	1192

ZONE	LUMENS
0° - 10°	482
10° - 20°	882
20° - 30°	442
30° - 40°	114
40° - 50°	36
50° - 60°	10
60° - 70°	3
70° - 80°	2
80° - 90°	1

ZONE	LUMENS	% LUMINAIRE
0° - 20°	1363	69%
0° - 30°	1805	92%
0° - 40°	1919	97%
0° - 60°	1964	100%
0° - 80°	1969	100%
0° - 90°	1970	100%

CONE OF LIGHT

MOUNTING HEIGHT	FC AT BEAM CENTER	BEAM DIA. 0°-180°	BEAM DIA. 90°-270°
6.0 m	153.2 lx	3.6 m	3.7 m
8.0 m	86.2 lx	4.8 m	5.0 m
10.0 m	55.2 lx	5.9 m	6.2 m
12.0 m	38.3 lx	7.1 m	7.4 m
14.0 m	28.1 lx	8.3 m	8.7 m
16.0 m	21.5 lx	9.5 m	9.9 m
18.0 m	17.0 lx	10.7 m	11.2 m
20.0 m	13.8 lx	11.9 m	12.4 m

INDOOR COEFFICIENTS OF UTILIZATION

pf	pc	80%																70%																20%																0%
		pw	70%	50%	30%	10%	70%	50%	30%	10%	50%	30%	10%	50%	30%	10%	50%	30%	10%	50%	30%	10%	0%																											
0	119	119	119	119	119	116	116	116	116	111	111	111	106	106	106	102	102	102	102	100	100	100	100	100																										
1	115	112	110	108	112	110	108	107	106	105	103	102	101	100	99	98	97	96	94	93	92	92	92	92																										
2	110	106	103	100	108	105	102	99	101	99	97	99	97	95	96	94	93	92	91	90	90	90	90	90																										
3	106	101	97	94	104	100	96	93	97	94	92	95	92	90	93	91	89	88	87	86	86	86	86	86																										
4	102	96	92	89	101	95	91	88	93	90	87	91	89	86	90	87	85	84	83	83	83	83	83	83																										
5	99	92	88	84	97	91	87	84	90	86	83	88	85	82	87	84	82	81	80	80	80	80	80	80																										
6	95	88	84	80	94	88	83	80	86	82	80	85	82	79	84	81	79	78	77	77	77	77	77	77																										
7	92	85	80	77	91	84	80	77	83	79	76	82	79	76	81	78	76	74	73	73	73	73	73	73																										
8	89	82	77	74	88	81	77	74	80	76	73	79	76	73	78	75	73	72	72	72	72	72	72	72																										
9	86	79	74	71	85	78	74	71	77	73	71	77	73	70	76	73	70	69	69	69	69	69	69	69																										
10	83	76	71	68	83	75	71	68	75	71	68	74	70	68	73	70	68	67	67	67	67	67	67	67																										

