

8" EPC

Architectural LED Downlight

EPC-HL-8-PM

Edison Series



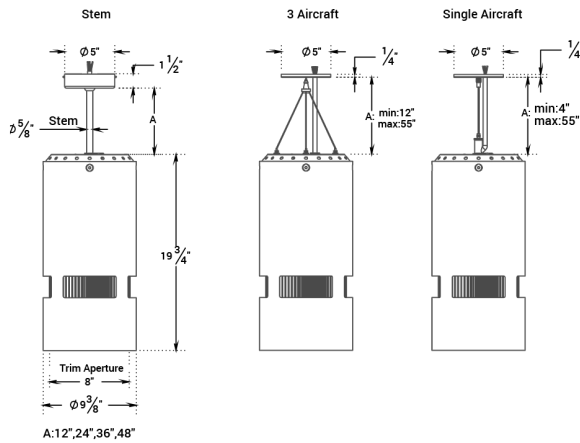
Application

A highly sustainable and exceptionally efficient architectural LED Cylinder that offers even, glare-free lighting. With a variety of mountings, finishes, distributions, and lumen packages available, it is perfectly suited for corporate office spaces, hospitality venues, healthcare facilities, commercial establishments, academic institutions, churches, airports, and retail merchandising.

Features

The reflector features a visual cutoff angle of 45 degrees and is supplied as a standard with a Solite lens boasting a sleek frosted appearance. Crafted from 0.05" thick aluminum and treated with a single-step anodized finish, it can be obtained in a range of colors or personalized with custom RAL finishes. Additionally, numerous distribution options are at your disposal.

Lumens	800L, 1000L, 1600L, 2000L, 2200L, 2400L
CCT	22K, 27K, 30K, 35K, 40K, 50K Tunable White, Dims to Warm
CRI	Standard: 90+ Optional: 98+
Color Quality	2 Step MacAdam Ellipse
Distribution	ND (30°), MD (36°), WD (60°)
Mounting Options	PM (Pendant Mount), SM (Suspended Mount)
Body Color	WH (White), BK (Black), BZ (Bronze), SI (Silver) Custom RAL
Reflector Colors	WH (White), BK (Black), CL (Semi-Specular Chrome), SHZ (Low Iridescent Satin Haze), WT (Wheat)
Dimming	0-10V Flicker Free 1% Dimming Standard (DIM10), LUTH, ELDO10.1, ELDODMX.1, ELDODALI.1, DIMTR
Remote Emergency	10W - Up to 1000L Output (Bodine BSL310) 20W - Up to 2000L Output (Bodine BSL20)
Lifetime	L70 at 102,000 Hours
Photometric Tests	In Accordance with IES LM79-08 and LM80 and TM-30, TM-21



EPC-8-HL-PM

EPC-8-HL-SM

EPC-8-HL-SM

NOMINAL LUMENS	DELIVERED LUMENS	WATTAGE
24000	24030	243 W
22000	22689	226 W
20000	20323	199 W
16000	16529	158 W
10000	10456	98 W
8000	8338	77 W

Based on 4000K, 90 CRI with semi-specular chrome reflector. Actual wattage may vary +/-5%

CONSTRUCTION

Post painted die-formed construction for maximum heat dissipation and rust protection. Matte white finish standard.

THERMAL MANAGEMENT SYSTEM

Die-cast aluminum housing and thermal management system are engineered for extremely long life. Heat sink is attached to top of housing. The LED light engine is attached to the die-cast heat sink and is easily replaceable and upgradeable.

MOUNTING OPTIONS

Ceiling mount bracket provided for direct installation with 3-1/4" to 4" octagonal and square junction box. Pendant mount option is supplied with a 5" diameter canopy cover. Suspended mount option is supplied with an aircraft adjustable cable, and is ideal for sloped ceiling applications up to 45 degrees

DIMMING & DRIVER INFORMATION

DIM10 - 0-10V dimming on either MVOLT 120, 277 or 347V.

Dimmable down to 1% of initial lumens, standard.

DIMTR - Triac & Electronic low voltage dimming. Available in 120V, and up to 16000 lumens only.

LUTH - Lutron LDE1 Hi-Lume Eco System. 1% dimming with Soft in Fade to Black dimming technology.

ELDO10.1 - EldoLED SoloDrive 0-10V. Dimming down to 0.1%.

DALI - DALI DT6, DT8 dimming down to 1%.

ELDODMX - EldoLED PowerDrive dimming down to 0.1%.

Please see EldoLED website for wiring diagrams and a list of compatible DMX and Dali control systems.

LED DYNAMIC PLATFORM OPTIONS

Tunable White: Utilizing the Lumenetix Platform allows you to color tune the luminaire via various controls. Create the perfect environment for the desired use of the space, while maintaining a CRI of 90+ across the tunable range of 8000 to 1650K.

Dims to Warm: At 100% full brightness the luminaire is at 3000K. When dimmed to 1%, the light transitions to 1800K, creating a warm ambiance within the space.

LIGHT ENGINE

Contains a plurality of high brightness white LED's combined with high reflectance upper reflector and convex transitional lens producing even distribution with no pixilation.

Lumen output shall not decrease by more than 30% over the minimum life of 102,000 hours (L70 > 102,000 hours) Color variation within 2-step MacAdam ellipses.

Flexible disconnect allows for tool-less replacement of LED engine from below ceiling Available in 2200K, 2700K, 3000K, 3500K, 4000K and 5000K correlated color temperature (CCT) Available in 90 or 98 color rendering index (CRI)

WARRANTY

Five-year warranty for parts and components. (Labor not included)

LISTINGS

c-UL-us - Listed for Feed Through Wiring.

Energy Star and California Title 24 compliant.

8" EPC

Architectural LED Downlight

EPC-HL-8-PM

Edison Series

PART NUMBER: EPC-8-HL-PM-800L-22K-90-ND-DIM10-120V

Series	Lumens	CCT	CRI	Optics	Drivers	Voltage	Emergency	Mounting
EPC-8-HL-PM	800L	22K	90+	30D (ND)	DIM10	120	EMG-LED-10W	PM 12-12"
	10000L	27K	98+ ⁴	36D (MD)	DIMTR ^{1 6}	277	EMG-LED-20W	PM 18-18"
	16000L	30K		60D (WD)	LUTH ^{2 6}	MVOLT	EMG-LED-G2-10W-SDT	PM 24-24"
	20000L	35K			ELDO10-.1 ²	347	<i>Remote mounted installation</i>	PM 48-48"
	22000L	40K			ELDODALI-.1 ²	(DIM 10 only)	*Consult Factory for Self Diagnostic*	SM- 10' SUSPENDED MOUNT (Single point cable suspension)
	24000L	50K ³			ELDODMX-.1 ²			SM- 10' SUSPENDED MOUNT (3 point cable suspension)

(Consult factory for other sizes)

² LUTH, ELDO10-.1, ELDODALI-.1, AND ELDODMX-.1 are available in 120V and 277V ¹ DIMTR is available in 120V only(160W) 50K series are³ available with 85+ CRI only

⁴ 98+ CRI is available in 27K, 30K and 40K only

⁶ LUTH Available for luminaires up to 22000L and LUT2W, DIMTR Available for luminaires up to 16000L

REFLECTOR COLORS

Clear White
CL-WH



White
WH-WH



Satin Haze White
SHZ-WH



Satin Haze
SHZ-SHZ



Wheat White
WT-WH



Black White
BK-WH



Black
BK-BK



STANDARD FINISHES

White
WH



Silver
SI



Black
BK

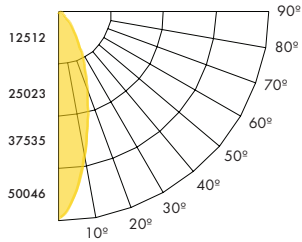


EPC-8-HL-PM-24000L-DIM10-MVOLT-ND-40K-90-HL-8-801-CL-WH

TEST NO: **EPL07012201**

INPUT WATTS: **239.421** LUMENS **23186** CRI: **97** EFFICACY: **97** CCT: **4000K** SPACING CRITERIA: **0.5**

Candle Power Distribution (Candelas)



Zonal Lumens Summary				Luminance (Average candela/M ²)			Lumens Per Zone		Candela Tabulation		
Zone	Lumens	%Lamp	%Fixt	Angle in Degrees	Average 0f	Average 45f	Average 90f	Zone	Lumens	0	
0-20	11782.9	50.8	50.8	45	91815	103532	138171	0-10	4070.58	0	49383.24
0-30	18392.25	79.3	79.3	55	17702	17119	21049	20-Oct	7712.32	5	42969.77
0-40	21955.16	94.7	94.7	65	8490	2594	6378	20-30	6609.35	15	24813.56
0-60	23139.99	99.8	99.8	75	1498	1389	1703	30-40	3562.91	25	12464.42
0-80	23173.84	99.9	99.9	85	461	412	835	40-50	1019.95	35	4895.89
0-90	23175.08	100	100					50-60	164.88	45	758.66
								60-70	27.93	55	118.65
								70-80	5.92	65	41.93
								80-90	1.24	75	4.53
										85	0.47
										90	0.12

Coefficients of Utilization - Zonal Cavity Method
Effective Floor Cavity Reflectance 0.20

RC RW	80%				70%				50%			30%			10%			0%
	70%	50%	30%	10%	70%	50%	30%	10%	50%	30%	10%	50%	30%	10%	50%	30%	10%	0%
0	119	119	119	119	116	116	116	116	111	111	111	106	106	106	102	102	102	100
1	114	111	109	107	112	109	107	105	105	104	102	102	100	99	98	97	96	94
2	109	105	101	98	107	103	99	97	100	97	95	97	94	93	94	92	91	89
3	104	98	94	90	102	97	93	89	94	91	88	92	89	87	90	87	85	84
4	100	93	88	84	98	92	87	83	89		82	88	84	81	86	83	81	79
5	95	88	82	78	94	87	82	78	85		77	83	80	77	82	79	76	75
6	91	83	78	74	90	82	77	73	81		73	79	76	73	78	75	72	71
7	87	79	73	70	86	78	73	69	77		69	76	72	69	75	71	68	67
8	84	75	70	66	82	74	69	66	73		65	72	68	65	71	68	65	64
9	80	71	66	63	79	71	66	62	70		62	69	65	62	68	65	62	61
10	77	68	63	60	76	68	63	59	67		59	66	62	59	66	62	59	58

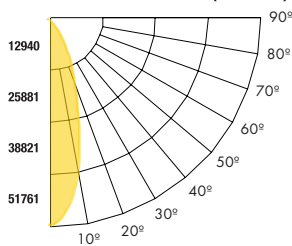
RC - Ceiling Cavity Reflectance RW - Wall Reflectance

EPC-8-HL-PM-24000L-DIM10-MVOLT-MD-40K-90-HL-8-801-CL-WH

TEST NO: **EPL07012201**

INPUT WATTS: **243.523** LUMENS : **24030** CRI: **90** EFFICACY: **99** CCT: **4000K** SPACING CRITERIA: **0.6**

Candle Power Distribution (Candelas)



Zonal Lumens Summary				Luminance (Average candela/M ²)			Lumens Per Zone		Candela Tabulation		
Zone	Lumens	%Lamp	%Fixt	Angle in Degrees	Average 0f	Average 45f	Average 90f	Zone	Lumens	0	
0-20	12904.43	53.7	53.7	45	92375	111919	132121	0-10	4436.44	0	51138.81
0-30	19433.61	80.9	80.9	55	18703	18908	20100	20-Oct	8468	5	47554.69
0-40	22905.02	95.3	95.3	65	6348	2598	4382	20-30	6529.17	15	28230.3
0-60	23985.24	99.8	99.8	75	1617	1366	1316	30-40	3471.42	25	12882.76
0-80	24017.07	99.9	99.9	85	756	609	717	40-50	926.47	35	4974.41
0-90	24018.3	100	100					50-60	153.74	45	763.28
								60-70	26.2	55	125.36
								70-80	5.64	65	31.35
								80-90	1.23	75	0.13
										85	0.77
										90	0.13
										95	0.77
										100	0.13

Coefficients of Utilization - Zonal Cavity Method
Effective Floor Cavity Reflectance 0.20

RC RW	80%				70%				50%			30%			10%			0%
	70%	50%	30%	10%	70%	50%	30%	10%	50%	30%	10%	50%	30%	10%	50%	30%	10%	0%
0	119	119	119	119	116	116	116	116	111	111	111	106	106	106	102	102	102	100
1	114	112	109	107	112	109	107	106	105	104	102	102	100	99	98	97	96	95
2	109	105	101	98	107	103	100	97	100	97	95	97	95	93	94	93	91	89
3	104	99	94	91	103	97	93	90	95	91	89	92	90	87	90	88	86	84
4	100	93	88	85	98	92	88	84	90	86	83	88	85	82	86	84	81	80
5	96	88	83	79	94	87	83	79	86	81	78	84	80	78	83	79	77	76
6	92	84	79	75	90	83	78	74	82	77	74	80	76	73	79	76	73	72
7	88	80	74	71	87	79	74	70	78	73	70	77	73	70	76	72	69	68
8	84	76	71	67	83	75	70	67	74	70	67	73	69	66	72	69	66	65
9	81	73	67	64	80	72	67	64	71	67	63	70	66	63	70	66	63	62
10	78	69	64	61	77	69	64	61	68	64	61	67	63	60	67	63	60	59

RC - Ceiling Cavity Reflectance RW - Wall Reflectance

8" EPC

Architectural LED Downlight

EPC-HL-8-PM

Edison Series

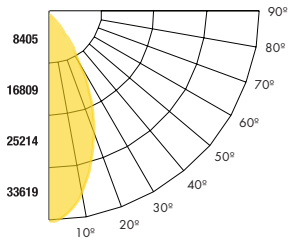
EPC-8-HL-PM-24000L-DIM10-MVOLT-WD-40K-90-HL-8-801-CL-WH

TEST NO: **EPL07012201**



INPUT WATTS: **240.575** LUMENS : **23548** CRI: **90** EFFICACY: **98** CCT: **4000K** SPACING CRITERIA: **0.8**

Candle Power Distribution (Candelas)



Zonal Lumens Summary				Luminance (Average candela/M ²)				Lumens Per Zone		Candela Tabulation	
Zone	Lumens	%Lamp	%Fixt	Angle in Degrees	Average 0°	Average 45°	Average 90°	Zone	Lumens	0	
0-20	10185.15	43.3	43.3					0-10	3012.33	0	33260.18
0-30	17720.76	75.3	75.3	45	134814	125287	137479	5	7172.82	5	31916.65
0-40	22099.69	93.8	93.8	55	23984	24376	24206	15	7535.62	15	24782.57
0-60	23493.15	99.8	99.8	65	7521	3149	8282	25	4378.93	25	15480.5
0-80	23536.22	99.9	99.9	75	1617	1620	1792	35	1186.45	35	6282.04
0-90	23537.67	100	100	85	589	501	805	45	207.01	45	1113.95
								55	36.18	55	160.75
								65	6.89	65	37.14
								75	1.46	75	4.89
								85		85	0.6
								90		90	0.13

Coefficients of Utilization - Zonal Cavity Method

Effective Floor Cavity Reflectance 0.20

RC RW	80%				70%				50%			30%			10%			0%
	70%	50%	30%	10%	70%	50%	30%	10%	50%	30%	10%	50%	30%	10%	50%	30%	10%	0%
0	119	119	119	119	116	116	116	116	111	111	111	106	106	106	102	102	102	100
1	114	111	109	107	111	109	107	105	105	103	102	101	100	99	98	97	96	94
2	108	104	100	97	106	102	98	96	99	96	93	96	93	91	93	91	90	88
3	103	97	92	88	101	96	91	88	93	89	86	91	88	85	88	86	84	82
4	98	91	86	82	97	90	85	81	88	84	80	86	82	79	84	81	78	77
5	94	86	80	76	92	85	79	76	83	78	75	81	77	74	80	76	74	72
6	89	81	75	71	88	80	74	71	78	74	70	77	73	70	76	72	69	68
7	85	76	70	66	84	75	70	66	74	69	66	73	69	65	72	68	65	64
8	81	72	66	62	80	71	66	62	70	65	62	69	65	62	68	64	61	60
9	77	68	63	59	76	68	62	59	67	62	58	66	61	58	65	61	58	57
10	74	65	59	55	73	64	59	55	64	59	55	63	58	55	62	58	55	54

RC - Ceiling Cavity Reflectance RW - Wall Reflectance

