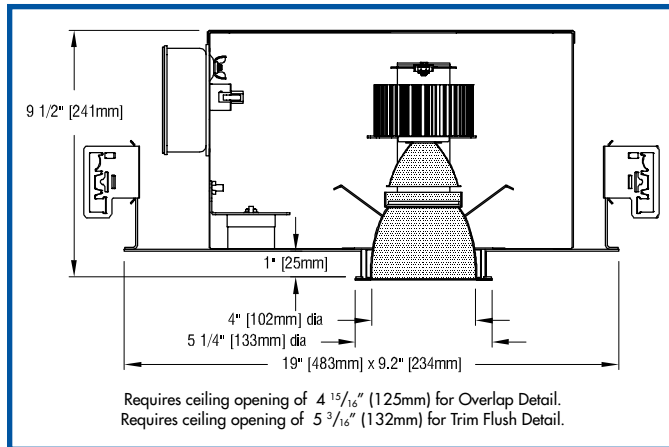


EPIC WET LOCATION XTM/4

recessed IC LED wet location downlight




FEATURES

- **EPIC Wet Location XTM/4 is a wet location LED downlight** designed for insulation contact (IC) and certified airtight under ASTM E283.
- **Luminaire is powered by one of a number of Xicato 19 mm XTM LED modules**, all of which are distinguished by extraordinary color consistency (within 1x2-step MacAdam ellipse). See tables on pages below for wattages and efficacies.
- **Luminaire may be ordered with one of a number of drivers.**
- **Reflector mounts a 5/32" thick plastic prismatic lens which protects the lamp from a direct spray of water.** Reflector assembly is attached to the fixture housing with positive torsion springs that pull the reflector flange tight to the ceiling.
- **Housing is constructed from 20-gauge electro-zinc, polyester-coated steel** in Edison Price Lighting's American factory. Heavy-gauge metals, an additional protective coating, and American manufacturing guarantees long-lasting durability.
- **External reflectors are available in three natural aluminum finishes** – semi-specular, slightly diffuse (V) or fully diffuse (EC) – as well as champagne gold, black Alzak® or white. Other reflector finishes are available on special order.
- **EPIC Wet Location XTM/4 includes a pair of residential mounting bars** extendable to 20" and designed for use in wood joists.
- **For more information, [click here](#).**

APPLICATIONS

Fixture is recommended for use in showers, locker rooms, natatoriums and other spaces where the apertures of recessed downlights may be subject to a direct spray of water.

Fixture is  listed for Wet Location with a covered ceiling only. Fixture is prewired with thermal protector, approved for ten #12 wire 90° branch circuit pull-through wiring and suitable for use in a fire rated ceiling. All fixtures are RoHS and Title 24 compliant. Removal of the reflector allows access to the junction box.



For higher lumen packages and lower pricing, see [EPIC Wet Location LED FT/4](#).

PRODUCT CODE

For complete product code, list basic unit and select one item from each following box.

Basic Unit EPIC-SHW-XTM

Light Source Output (Lumens)

| | |
|---|---------------------|
| 700 lumens/CRI 98 Artist..... | DMP (10%)... - L07A |
| 1000 lumens/CRI 98 Artist | DMP (10%)... - L10A |
| 1000 lumens/CRI 80+ | DMP (10%)... - L10S |
| 1000 lumens/CRI 80+ Vibrant... 3000K only | DMP (10%)... - L10V |
| 1200 lumens/CRI 98 Artist..... | DMP (5%)... - L12A |
| 1300 lumens/CRI 80+ | DMP (10%)... - L13S |
| 1300 lumens/CRI 80+ Vibrant... 3000K only | DMP (10%)... - L13V |
| 1600 lumens/CRI 80+ | DMP (5%)... - L16S |
| 1600 lumens/CRI 80+ Vibrant .. 3000K only | DMP (5%)... - L16V |

Light Color

| | |
|------------|-------|
| 2700K..... | - 27K |
| 3000K..... | - 30K |
| 3500K..... | - 35K |
| 4000K..... | - 40K |

Driver

dimmable to 1% by a 0-10V dimmer on 120 or 277-volt service - DMV
 dimmable to 5% or 10% (see Light Source Output box above) by either an incandescent or ELV dimmer; 120-volt service only - DMP
 eldoLED 0-10V (Logarithmic) driver dimmable to 0.1% with a 0-10V dimmer on 120 or 277-volt service - DV0ELG
 eldoLED 0-10V (Linear) driver dimmable to 0.1% with a 0-10V dimmer on 120 or 277-volt service - DV0ELN
 eldoLED driver dimmable to 0.1%, compatible with Dali control system - DA0-EL

Reflector Color and Detail

| | |
|-----------------------------|------|
| Semi-specular Clear..... | COL |
| Slightly diffuse Clear..... | VOL |
| Fully diffuse Clear..... | ECOL |
| Champagne Gold | GOL |
| Black | BOL |
| White | WOL |

Other reflector finishes available on special order.

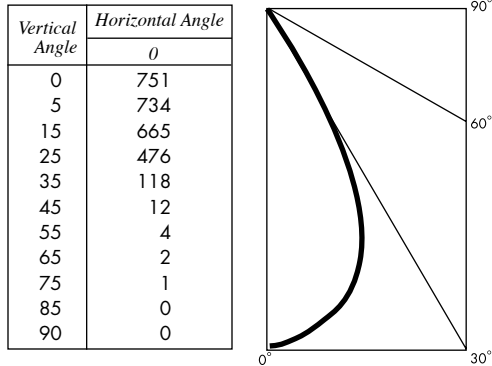
Overlap Flange continues reflector finish. White painted flanges and custom painted flanges are available on special order. Add WF (white flange) or CCF (custom color flange).

PHOTOMETRIC REPORT (tested per IESNA LM-79-2008)

UL Report No.12225204.01. Original Luminaire Testing Laboratories, Inc. (LTL) test reports furnished upon request.

Luminaire recessed LED round downlight with semi-specular clear aluminum reflector
 Lamp Xicato XTM 19mm LED with 54° beam spread integral reflector, 2700K CCT, 1200 lumens
 Lamp Life rated 50,000 hours based on L70/B50 criteria. LM80 report by LED manufacturer furnished upon request
 Spacing Criteria 0.92

CANDLEPOWER DISTRIBUTION (Candela)



STANDARD DMV DRIVER INFORMATION *UL Class 2, dry and damp location*

| Voltage | 120 | 277 |
|--|--------------------|--------------------|
| Input Watts (L07A/L10A/L12A/ L10SV /L13SV /L16SV lumens) | 8/12/12/9/12/14 | 8/12/12/9/12/14 |
| Input Current (A) (L07A/L10A/L12A/ L10SV /L13SV /L16SV lumens) | .07/10/10/08/10/12 | .03/04/04/03/04/05 |
| Output Current (mA) | 350-700 | 350-700 |
| Min. Power Factor | >0.9 | >0.9 |
| Operating Temperature Range (F) | -4 to 122 | -4 to 122 |

ZONAL LUMEN SUMMARY

| Zone | Lumens | % Fixture |
|----------|--------|-----------|
| 0 - 40° | 546 | 96.9 |
| 0 - 60° | 560 | 99.5 |
| 0 - 90° | 563 | 100.0 |
| 90 -180° | 0 | 0.0 |

LIGHT OUTPUT MULTIPLIER

| LED Light Engine | Light Output Multiplier |
|---|-------------------------|
| 700 Lumens Artist (L07A) | 0.61* |
| 1000 Lumens Artist (L10A) | 0.78* |
| 1200 Lumens Artist (L12A) | 1 |
| 1000 Lumens Standard & Vibrant (L10S/V) | 0.82* |
| 1300 Lumens Standard & Vibrant (L13S/V) | 1.05* |
| 1600 Lumens Standard & Vibrant (L16S/V) | 1.21* |

*estimated values

LUMINANCE DATA

| Vertical Angle | Candelam ² |
|----------------|-----------------------|
| 45 | 2031 |
| 55 | 844 |
| 65 | 535 |
| 75 | 353 |
| 85 | 184 |

REFLECTOR COLOR MULTIPLIERS

| | |
|----------------------------|-----|
| Semi-specular clear (C) | 1 |
| Slightly diffuse clear (V) | .95 |
| Fully diffuse clear (EC) | .88 |
| Champagne gold clear (G) | .95 |
| Black (B) | .49 |

LUMINAIRE LIGHT OUTPUT AND EFFICACY

(60° beam spread integral reflector)

| LED Light Engine | Luminaire Light Output | Luminaire Efficacy (lms/watt) | System Wattage |
|---|------------------------|-------------------------------|----------------|
| 700 Lumens Artist (L07A) | 343* | 43* | 8 |
| 1000 Lumens Artist (L10A) | 439* | 37* | 12 |
| 1200 Lumens Artist (L12A) | 563 | 47 | 12 |
| 1000 Lumens Standard & Vibrant (L10S/V) | 462* | 51* | 9 |
| 1300 Lumens Standard & Vibrant (L13S/V) | 591* | 49* | 12 |
| 1600 Lumens Standard & Vibrant (L16S/V) | 681* | 49* | 14 |

*estimated values