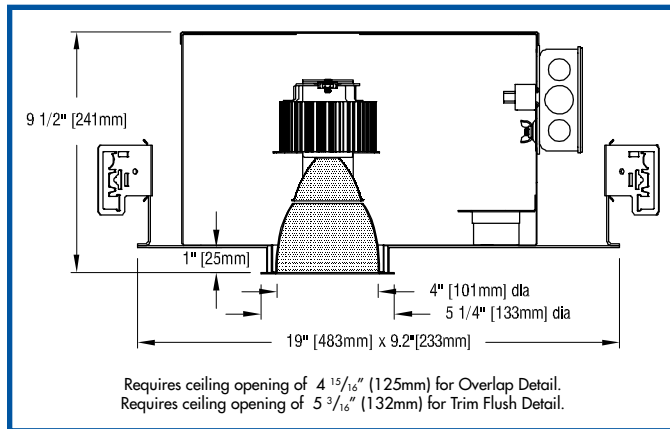


EPIC FOUR HI XTM DL

recessed IC LED downlight

PPRECISE OPTICS - PRECISE OPTICS - PRECISE OPTICS - PRECISE OPTICS - PRECISE OPTICS



FEATURES

- **EPIC FOUR HI XTM DL is a 4" aperture LED downlight** designed for insulation contact (IC) and certified airtight under ASTM E283. Luminaire employs an internal 'twist and lock' reflector to produce an initial beamspread of 20°, 40° or 60°. To allow beamspread to be changed in installed luminaires, internal reflectors are available as accessories.
- **Luminaire is powered by one of a number of Xicato 19 mm XTM LED modules**, all of which are distinguished by extraordinary color consistency (within 1x2-step MacAdam ellipse). See tables on pages below for wattages and efficacies.
- **Luminaire may be ordered with one of a number of drivers.**
- **Housing is constructed from 20-gauge electro-zinc, polyester-coated steel** in Edison Price Lighting's American factory. Heavy-gauge metals, an additional protective coating, and American manufacturing guarantees long-lasting durability.
- **Precise external reflector design** minimizes aperture brightness and provides a shielding angle of 40°.
- **An optional integral holder (DG) permits the use of one or two of a number of Optical Accessories** including lenses and color filters. A complimentary prismatic lens is included with this option.
- **External reflectors are available in three natural aluminum finishes** – semi-specular, slightly diffuse (V) or fully diffuse (EC) – as well as champagne gold, black Alzak® or white. Other reflector finishes are available on special order.
- **LightCharms® or LightPlate™ decorative trims** may be ordered instead of standard reflectors.
- **EPIC FOUR HI XTM DL includes a pair of residential mounting bars** extendable to 20" and designed for use in wood joists.
- **For more information, click here.**

APPLICATIONS

Luminaire is recommended for downlighting in commercial, retail and residential spaces where insulation is specified or likely to be retrofit into the ceiling plenum. Luminaire is listed for direct contact with insulation, certified airtight under ASTM E283, and suitable for damp location. Luminaire is prewired, suitable for use in a fire rated ceiling, and approved for eight #12 wire 75° C branch circuit pull-through wiring. Luminaire is RoHS and Title 24 compliant. Removal of the reflector allows access to the driver and junction box.

For higher lumen packages and lower pricing, see [EPIC FOUR HI CZS DL](#) and [EPIC FTF DL/4](#).
For shallower depths and lower pricing, see [EPIC WAFER/4 DL](#).

PRODUCT CODE

For complete product code, list basic unit and select one item from each following box.

Basic Unit	EPIC-XTM-4DL	
Internal Reflector		
20° initial beamspread.....	- 20D	
40° initial beamspread.....	- 40D	
60° initial beamspread.....	- 60D	
Light Source Output (Lumens)		
700 lumens/CRI 98 Artist.....	- L07A	
1000 lumens/CRI 98 Artist.....	DMP (10%)... - L10A	
1000 lumens/CRI 80+	DMP (10%)... - L10S	
1000 lumens/CRI 80+ Vibrant.....	3000K only DMP (10%)... - L10V	
1200 lumens/CRI 98 Artist.....	DMP (5%)... - L12A	
1300 lumens/CRI 80+	DMP (10%)... - L13S	
1300 lumens/CRI 80+ Vibrant.....	3000K only DMP (10%)... - L13V	
1600 lumens/CRI 80+	DMP (5%)... - L16S	
1600 lumens/CRI 80+ Vibrant	3000K only DMP (5%)... - L16V	
Light Color		
2700K.....	- 27K	
3000K.....	- 30K	
3500K.....	- 35K	
4000K.....	- 40K	
Driver		
dimmable to 1% by a 0-10V dimmer on 120 or 277-volt service	- DMV	
dimmable to 5% or 10% (see Light Source Output box above) by either an incandescent or ELV dimmer; 120-volt service only	- DMP	
eldoLED 0-10V (Logarithmic) driver dimmable to 0.1% with a 0-10V dimmer on 120 or 277-volt service	- DVOELG	
eldoLED 0-10V (Linear) driver dimmable to 0.1% with a 0-10V dimmer on 120 or 277-volt service	- DVOELN	
eldoLED driver dimmable to 0.1%, compatible with Dali control system	- DAO-EL	
Reflector Color and Detail	<i>Overlap Flange</i>	<i>Trim Flush*</i>
Semi-specular Clear.....	COL.....	CTF
Slightly diffuse Clear.....	VOL.....	VTF
Fully diffuse Clear.....	ECOL.....	ECTF
Champagne Gold	GOL.....	GTF
Black	BOL.....	BTF
White	WOL.....	WTF
Other reflector finishes available on special order.		
Overlap Flange continues reflector finish. White painted flanges and custom painted flanges are available on special order. Add WF (white flange) or CCF (custom color flange). <i>*Trim Flush reflector trim requires the use of a plaster ring Accessory (see below).</i> <i>LightCharms or LightPlate may be ordered instead of the standard reflectors above.</i>		
LightCharm Silver Point	LC-SP	
LightCharm Opal	LC-O	
LightCharm Crystal	LC-C	
LightPlate Downlight Spot, white	DP-OL.....	DP-TF
Custom painted trims for LightPlate are available on special order. Add -CC		

OPTION *Specify by adding to product code.*

Holder for one or two Optical Accessories (see over) - DG

ACCESSORIES *Specify as a separate line item.*

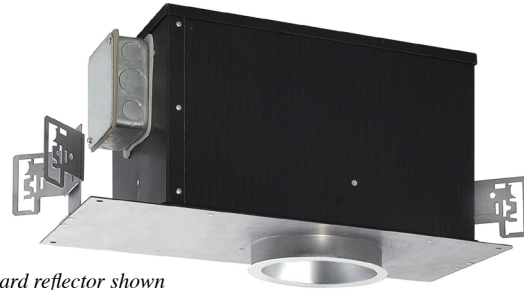
Plaster ring allows use of 4 7/8" OD Trim Flush (TF) reflector in sheetrock ceiling; 5 3/16" dia hole required.....TF RING/4



OPTICAL ACCESSORIES *Specify as separate line*

All are 3 3/4" (95mm) diameter.

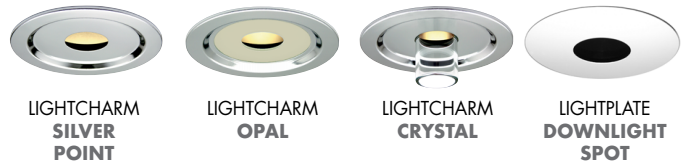
prismatic lens (Solite) (included with - DG option)	PLS/3.75
55° spread lens	LENS/3.75
40° x 70° spread lens	LENS/3.75-4070
beam smoother	DIF05/3.75
33% light reduction screen	SCR33/3.75
50% light reduction screen	SCR50/3.75
color filters	
surprise pink	PNK/3.75
daylight blue.....	DAY/3.75
amber	AMB/3.75
blue	BLU/3.75
green	GRN/3.75
red	RED/3.75



Standard reflector shown

LIGHTCHARMS & LIGHTPLATES

LightCharms and LightPlates may be used instead of standard reflectors.

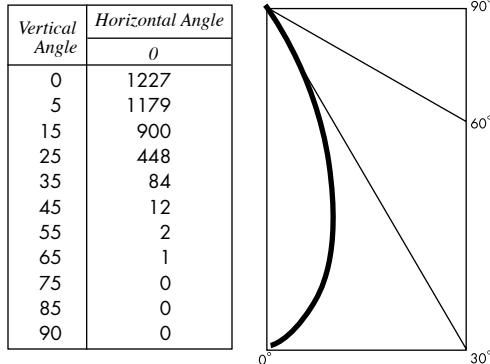


PHOTOMETRIC REPORT (tested per IESNA LM-79-2008)

Report No. 12195374.01. Original Luminaire Testing Laboratories, Inc. (LTL) test reports furnished upon request.

Luminaire	recessed LED round downlight with semi-specular clear aluminum reflector (NO LENS)
Lamp	Xicato XTM 19mm LED with 60° beam spread integral reflector, 2700K CCT, 1200 lumens
Lamp Life	rated 50,000 hours based on L70/B50 criteria. LM80 report by LED manufacturer furnished upon request
Spacing Criteria	0.72

CANDLEPOWER DISTRIBUTION (Candela)



STANDARD DMV DRIVER INFORMATION *UL Class 2, dry and damp location*

Voltage	120	277
Input Watts (L07A/L10A/L12A/ L10SV /L13SV /L16SV lumens)	8/12/12/9/12/14	8/12/12/9/12/14
Input Current (A) (L07A/L10A/L12A/ L10SV /L13SV /L16SV lumens)	.07/.10/.10/.08/.10/.12	.03/.04/.04/.03/.04/.05
Output Current (mA)	350-700	350-700
Min. Power Factor	>0.9	>0.9
Operating Temperature Range (F)	-4 to 122	-4 to 122

ZONAL LUMEN SUMMARY

Zone	Lumens	% Fixture
0 - 40°	618	98.0
0 - 60°	630	99.8
0 - 90°	632	100.0
90 -180°	0	0.0

LIGHT OUTPUT MULTIPLIER

LED Light Engine	Light Output Multiplier
700 Lumens Artist (L07A)	0.61*
1000 Lumens Artist (L10A)	0.78*
1200 Lumens Artist (L12A)	1
1000 Lumens Standard & Vibrant (L10S/V)	0.82*
1300 Lumens Standard & Vibrant (L13S/V)	1.05*
1600 Lumens Standard & Vibrant (L16S/V)	1.21*

*estimated values

LUMINANCE DATA

Vertical Angle	Candelam ²
45	2078
55	366
65	205
75	143
85	142

REFLECTOR COLOR MULTIPLIERS

Semi-specular clear (C)	1
Slightly diffuse clear (V)	.95
Fully diffuse clear (EC)	.88
Champagne gold clear (G)	.95
Black (B)	.49

LUMINAIRE LIGHT OUTPUT AND EFFICACY

(60° beam spread integral reflector)

LED Light Engine	Luminaire Light Output	Luminaire Efficacy (lms/watt)	System Wattage
700 Lumens Artist (L07A)	386*	48*	8
1000 Lumens Artist (L10A)	493*	41*	12
1200 Lumens Artist (L12A)	632	47	12
1000 Lumens Standard & Vibrant (L10S/V)	518*	58*	9
1300 Lumens Standard & Vibrant (L13S/V)	664*	55*	12
1600 Lumens Standard & Vibrant (L16S/V)	765*	55*	14

*estimated values