

Project

Type



MADE IN USA

[Click Here](#)

Date

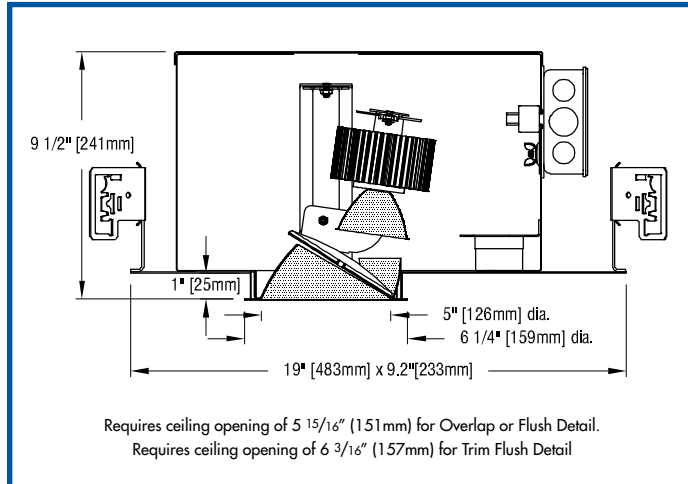
Product Code

Designer

EPIC FIVE HI XTM WL

recessed insulation contact LED wallwasher

PRECISE OPTICS - PRECISE OPTICS - PRECISE OPTICS - PRECISE OPTICS - PRECISE OPTICS



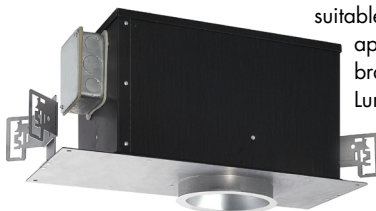
FEATURES

- **EPIC FIVE HI XTM WL is a 5" aperture LED wallwasher designed for insulation contact (IC) and certified airtight under ASTM.** Luminaire is powered by one of a number of Xicato 19 mm XTM LED modules, all of which are distinguished by extraordinary color consistency (within 1x2-step MacAdam ellipse). See tables on pages below for wattages and efficacies.
- **Luminaire may be ordered with one of a number of drivers.**
- **Housing is constructed from 20-gauge electro-zinc, polyester-coated steel** in Edison Price Lighting's American factory. Heavy-gauge metals, an additional protective coating, and American manufacturing guarantees long-lasting durability.
- **The optical assembly consists of two internal reflectors and a 40° x 70° glass spread lens.** Assembly may be rotated 363°, oriented as desired and locked in place. Precise design provides uniform illumination on vertical surfaces up to the ceiling line and minimizes aperture brightness.
- **Reflectors are available in three clear natural aluminum finishes** — semi-specular (C), slightly diffuse (V) or fully diffuse (EC) — as well as champagne gold, black Alzak® or white. Other finishes available on special order.
- **Luminaire includes a pair of residential mounting bars extendable to 20"** and designed for use in wood joists.
- **For more information, [click here](#).**

APPLICATIONS

Luminaire is recommended for downlighting in commercial, retail and residential spaces where insulation is specified or likely to be retrofit into the ceiling plenum.

Luminaire is listed for direct contact with insulation, certified airtight under ASTM E283, and suitable for damp location. Luminaire is prewired, suitable for use in a fire rated ceiling, and approved for eight #12 wire 90° C branch circuit pull-through wiring. Luminaire is RoHS compliant. Removal of the reflector allows access to the driver and junction box.



For **higher lumen packages** and **lower pricing**, see [EPIC FIVE HI CZS WL](#) and [EPIC LED FTW WL/5](#).

PRODUCT CODE

For complete product code, list basic unit and select one item from each following box.

Basic Unit.....	EPIC-XTM-5WL
Driver	
dimble to 1% by a 0-10V dimmer on 120 or 277-volt service	DMV
dimble to 5% or 10% (see Light Source Output box below) by either an incandescent or ELV dimmer; 120-volt service only	DMP
eldoLED 0-10V (Logarithmic) driver dimmable to 0.1% with a 0-10V dimmer on 120 or 277-volt service	DVOELG
eldoLED 0-10V (Linear) driver dimmable to 0.1% with a 0-10V dimmer on 120 or 277-volt service	DVOELN
eldoLED driver dimmable to 0.1%, compatible with DALI control system	DAO-EL
Light Source Output (Lumens)	
700 lumens / CRI 98 Artist.....	DMP (10%) - L07A
1000 lumens / CRI 98 Artist.....	DMP (10%) - L10A
1000 lumens / CRI 80+	DMP (10%) - L10S
1000 lumens / CRI 80+ Vibrant*	DMP (10%) - L10V
1200 lumens / CRI 98 Artist.....	DMP (5%) - L12A
1300 lumens / CRI 80+	DMP (10%) - L13S
1300 lumens / CRI 80+ Vibrant*	DMP (10%) - L13V
1600 lumens / CRI 80+	DMP (5%) - L16S
1600 lumens / CRI 80+ Vibrant*	DMP (5%) - L16V

* Vibrant LED modules are available with 3000K color only.

Light Color	
2700 K	not available with Vibrant LEDs..... - 27K
3000 K - 30K
3500 K	not available with Vibrant LEDs
4000 K	not available with Vibrant LEDs..... - 40K

Voltage	
120 volt service	- 120
277 volt service	- 277

Reflector Color and Detail	Overlap	Trim Flush*
Semi-specular Clear	COL	CTF
Slightly diffuse Clear	VOL	VTF
Fully diffuse Clear	ECOL	ECTF
Champagne Gold	GOL	GTF
Black	BOL	BTF
White	WOL	WTF
Standard reflector flange continues reflector finish. White painted flanges and custom painted flanges are available on special order. Add WF (white flange) or CCF (custom color flange).		
*Trim Flush reflector trim requires the use of a plaster ring Accessory (see below).		
▶ Reflectors detailed for metal or wood ceilings available on special order.		

ACCESSORIES

Specify as separate line item.

Plaster ring allows use of 5 7/8" OD Trim Flush (TF) reflector in sheetrock ceiling: 6 3/16" dia hole required.....	TF RING/5
--	-----------

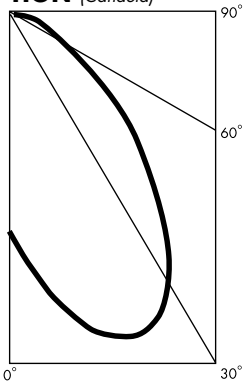


PHOTOMETRIC REPORT (tested per IESNA LM-79-2008)

UL Report No. 227747. Original test report furnished upon request.

Luminaire recessed LED round lensed wallwasher with semi-specular clear aluminum reflector
 Lamp Xicato 19mm XTM LED with 60° beam spread integral reflector, 3000K CCT, 1600 lumens
 Lamp Life rated 50,000 hours based on L70/B50 criteria. LM80 report by LED manufacturer furnished upon request

CANDLEPOWER DISTRIBUTION (Candela)



WALLWASH INFORMATION

Distance From Ceiling (Feet)	2' 6" From Wall; 2' 6" O.C.		3' 0" From Wall; 3' 0" O.C.		3' 6" From Wall; 3' 6" O.C.	
	Below Fixture	Between Fixtures	Below Fixture	Between Fixtures	Below Fixture	Between Fixtures
1	29	22	17	14	12	10
2	50	42	32	26	22	16
3	46	43	35	31	26	22
4	33	33	29	28	24	22
5	23	23	22	22	20	19
6	16	16	16	16	16	15
7	12	12	12	12	12	12
8	8	8	9	9	9	9
9	6	6	7	7	7	7
10	5	5	5	5	6	6

All vertical footcandles are initial values with no contribution from ceiling or floor reflectances. Computation performed with a total of ten wallwashers.

LUMINAIRE LIGHT OUTPUT AND EFFICACY

(60° beam spread integral reflector)

LED Light Engine	Luminaire Light Output	Luminaire Efficacy (lms/watt)	System Wattage
700 Lumens Artist (L07A)	378*	47*	8
1000 Lumens Artist (L10A)	484*	40*	12
1200 Lumens Artist (L12A)	627*	52*	12
1000 Lumens Standard & Vibrant (L10S/V)	514*	57*	9
1300 Lumens Standard & Vibrant (L13S/V)	658*	55*	12
1600 Lumens Standard & Vibrant (L16S/V)	756	54	14

*estimated values

LIGHT OUTPUT MULTIPLIER

LED Light Engine	Light Output Multiplier
700 Lumens Artist (L07A)	0.5*
1000 Lumens Artist (L10A)	0.64*
1200 Lumens Artist (L12A)	0.83*
1000 Lumens Standard & Vibrant (L10S/V)	0.68*
1300 Lumens Standard & Vibrant (L13S/V)	0.87*
1600 Lumens Standard & Vibrant (L16S/V)	1

*estimated values

REFLECTOR COLOR MULTIPLIERS

Semi-specular clear (C)	1
Slightly diffuse clear (V)	.95
Fully diffuse clear (EC)	.88
Champagne gold clear (G)	.95
Black (B)	.49

STANDARD DRIVER INFORMATION *UL Class 2, dry and damp location*

Voltage	120	277
Input Watts (L07A/L10A/L12A/L10SV/L13SV/L16SV lumens)	8/12/12/9/12/14	8/12/12/9/12/14
Input Current (A) (L07A/L10A/L12A/L10SV/L13SV/L16SV lumens)	.07/10/10/08/10/12	.03/04/04/03/04/05
Output Current (mA)	350-700	350-700
Min. Power Factor	>0.9	>0.9
Operating Temperature Range (F)	-4 to 122	-4 to 122