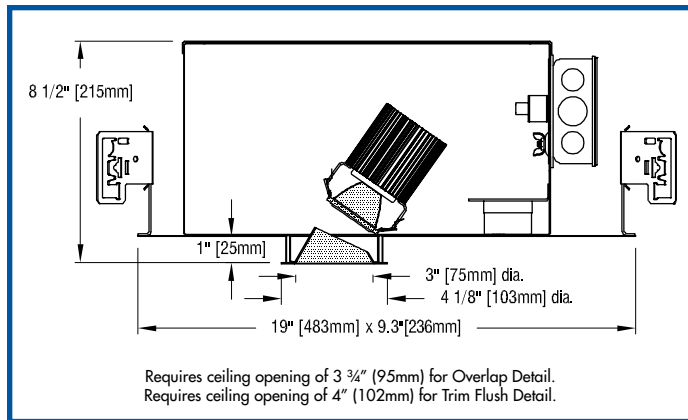


EPIC THREE NSP AA

recessed insulation contact/Chicago Plenum LED narrow spot accent light

PRECISE OPTICS - PRECISE OPTICS - PRECISE OPTICS - PRECISE OPTICS - PRECISE OPTICS



FEATURES

- **EPIC THREE AA NSP is a 3" aperture LED narrow spot accent light designed for insulation contact (IC)**, certified airtight under ASTM, and is suitable for Chicago Plenum. Luminaire is powered by one of a number of Xicato XTS (9mm) LED modules, distinguished by extraordinary color consistency (within 1x2-step MacAdam ellipse). See below for wattages and efficacies.
- **Luminaire provides 362° horizontal rotation and 0°-35° angular adjustment.** Adjustments may be locked by a thumb screw and a wing nut.
- **Luminaire employs an internal 'twist and lock' reflector** to produce an initial beamspread of 14° or 24°. To allow beamspread to be changed in installed luminaires, internal reflectors are available as accessories.
- **Luminaire includes a complimentary Beam Smoother** which may be replaced by one or two [Optical Accessories](#) including lenses, color filters and screens.
- **External reflectors, cut at 25°**, are available in three natural aluminum finishes – semi-specular (C), slightly diffuse (V) or fully diffuse (EC) – as well as black Alzak® and specular white enamel. Other finishes are available on special order. A LightPlate may be used instead of an external reflector.
- **Housing is constructed from 20-gauge electro-zinc, polyester-coated steel** in Edison Price Lighting's American factory. Heavy-gauge metals, an additional protective coating, and American manufacturing guarantees long-lasting durability.
- **Luminaire includes a pair of residential mounting bars** extendable to 20" and designed for use in wood joists.
- **For more information, [click here](#).**

APPLICATIONS

Luminaire is listed for direct contact with insulation, certified airtight under ASTM E283, and suitable for damp location. Luminaire also meets Chicago Plenum (CCEA) requirements and is RoHS compliant.

Luminaire is prewired, suitable for use in a fire rated ceiling, and approved for eight #12 wire 75° C branch circuit pull-through wiring. Removal of the reflector allows access to the driver and junction box.



Standard recessed, see [THREE XTM AA NSP](#)
Install-from-below, see [PRESTO THREE LED AA NSP](#)
For shallower depths and lower pricing, see [EPIC WAFER/3 AA](#)

PRODUCT CODE

For complete product code, list basic unit and select one item from each following box.

Basic Unit	EPIC-XTS-3AA
Internal Reflector <i>Choose one.</i>	
14° initial beamspread	- 14D
24° initial beamspread	- 24D
Driver	
dimmable to 1% by a 0-10V dimmer on 120 or 277-volt service	- DMV
dimmable to 10% by either an incandescent or ELV dimmer; 120-volt service only	- DMP
eldoLED 0-10V (Logarithmic) driver dimmable to 0.1% with a 0-10V dimmer on 120 or 277-volt service	- DVOELG
eldoLED 0-10V (Linear) driver dimmable to 0.1% with a 0-10V dimmer on 120 or 277-volt service	- DVOELN
eldoLED driver dimmable to 0.1%, compatible with DALI control system	- DA0-EL

Light Source Output (Lumens)	
700L / CRI 98 Artist	- L07A
700L / CRI 80+	- L07S
700L / CRI 80+ Vibrant	3000K only - L07V
1000L / CRI 80+	- L10S
1000L / CRI 80+ Vibrant	3000K only - L10V

Light Color	
2700 K	- 27K
3000 K	- 30K
3500 K	- 35K
4000 K	- 40K

External Reflector Color and Trim	Overlap	Trim Flush*
Semi-specular Clear	COL	CTF
Slightly diffuse Clear	VOL	VTF
Fully diffuse Clear	ECOL	ECTF
Champagne Gold	GOL	GTF
Black	BOL	BTF
White	WOL	WTF

Standard reflector flange continues reflector finish. White painted flanges and custom painted flanges are available on special order. Add WF (white flange) or CCF (custom color flange).
*Trim Flush reflector requires the use of a [plaster ring](#) Accessory (see below).
▶ Reflectors detailed for metal or wood ceilings available on special order.
LightPlates may be ordered instead of the external reflectors above (see next page).

LightPlate Downlight Spot , white	DP3-OL	DP3-TF
LightPlate Accent Spot , white	AP3-OL	AP3-TF
LightPlate Accent Slot , white	AL3-OL	AL3-TF

Custom painted LightPlates are available on special order. Add -CC

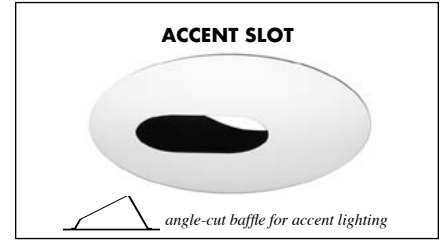
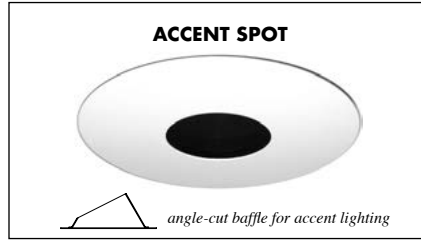
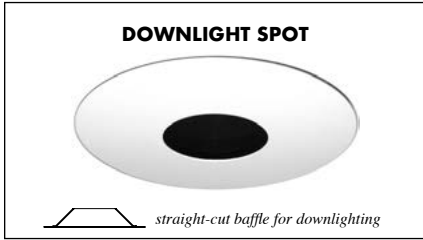
EXTRA REFLECTORS *Specify as separate line items.*

14° internal reflector	XTM-REF14-50
24° internal reflector	XTM-REF24-50

ACCESSORIES *Specify as a separate line item.*

Plaster ring allows use of 3 3/4" OD Trim Flush (-TF) reflector in sheetrock ceiling; 4" dia hole required	TF RING/3
---	-----------

LIGHTPLATES LightPlates may be used instead of standard reflectors.



OPTICAL ACCESSORIES Specify as separate line

All are 2 3/4" (70mm) diameter.

diffuse glass	DGS/2.375
prismatic lens (Solite)	PLS/2.375
55° spread lens	LENS/2.375
40° x 70° spread lens	LENS/2.375-4070
beam smoother (included with fixture)	DIF05/2.375
33% light reduction screen	SCR33/2.375
50% light reduction screen	SCR50/2.375

color filters

surprise pink	PNK/2.375
daylight blue	DAY/2.375
amber	AMB/2.375
blue	BLU/2.375
green	GRN/2.375
red	RED/2.375

See below for photometric reports



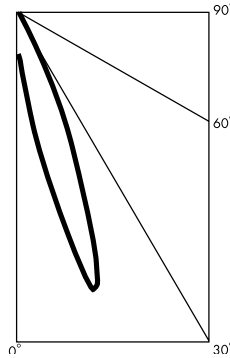
PHOTOMETRIC REPORT with 14° reflector (tested per IESNA LM-79-2008)

Verification Services Report No. 1189690. Original test report furnished upon request.

Luminaire recessed LED round accent light with semi-specular clear aluminum reflector, LED aimed at 15° above vertical
 Light Source one white Xicato XTS 9mm LES LED with 14° beam spread integral reflector, 3000K CCT, 80 CRI, 1000 lumens

CANDLEPOWER DISTRIBUTION (Candela)

Vertical Angle	Horizontal Angle				
	0	45	90	135	180
0	754	754	754	754	754
5	1414	1060	626	418	360
15	5384	1042	191	11	4
25	1254	295	8	3	1
35	48	8	3	1	1
45	3	2	1	0	0
55	0	0	1	0	0
65	0	0	0	0	0
75	0	0	0	0	0
85	0	0	0	0	0
90	0	0	0	0	0



LUMINAIRE LIGHT OUTPUT AND EFFICACY

LED Light Engine	Luminaire Light Output	Luminaire CBCP	Luminaire Efficacy (lms/watt)	System Wattage
700 Lumens Artist	316*	3905*	22*	14
700 Lumens standard & Vibrant	328*	4056*	32*	10
1000 Lumens standard & Vibrant	436	5384	31	14

*estimated values

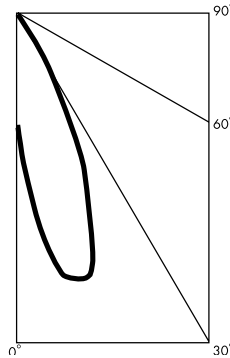
PHOTOMETRIC REPORT with 24° reflector (tested per IESNA LM-79-2008)

Verification Services Report No. 1189691. Original test report furnished upon request.

Luminaire recessed LED round accent light with semi-specular clear aluminum reflector, LED aimed at 15° above vertical
 Light Source one white Xicato XTS 9mm LES LED with 24° beam spread integral reflector, 3000K CCT, 80 CRI, 1000 lumens

CANDLEPOWER DISTRIBUTION (Candela)

Vertical Angle	Horizontal Angle				
	0	45	90	135	180
0	1091	1091	1091	1091	1091
5	1968	1552	938	667	536
15	2755	1322	311	77	43
25	1442	457	31	6	2
35	159	19	3	1	1
45	4	2	1	1	0
55	0	0	0	0	0
65	0	0	1	0	0
75	0	0	0	0	0
85	0	0	0	0	0
90	0	0	0	0	0



LUMINAIRE LIGHT OUTPUT AND EFFICACY

LED Light Engine	Luminaire Light Output	Luminaire CBCP	Luminaire Efficacy (lms/watt)	System Wattage
700 Lumens Artist	336*	1998*	24*	14
700 Lumens standard & Vibrant	349*	2076*	34*	10
1000 Lumens standard & Vibrant	464	2755	33	14

*estimated values

STANDARD DMV DRIVER INFORMATION (UL Class 2, dry and damp location)

Voltage	120	277
Input Watts (I07A/I07S&V/I10S&V)	14/10/14	14/10/14
Input Current (A) (I07A/I07S&V/I10S&V)	.12/.08/.12	.05/.04/.05
Output Current (mA)	350-700	350-700
Min. Power Factor	.99	.99
Operating Temperature Range (F)	-13 to 122	-13 to 122

LIGHT OUTPUT MULTIPLIER

LED Light Engine	Light Output Multiplier
700 Lumens Artist	.73*
1000 Lumens Artist	.94*
700 Lumens standard & Vibrant	.75*
1000 Lumens standard & Vibrant	1.0
1300 Lumens standard & Vibrant	1.32*

*estimated values

REFLECTOR COLOR MULTIPLIERS

Semi-specular clear (C)	1
Slightly diffuse clear (V)	.95
Fully diffuse clear (EC)	.88
Champagne gold clear (G)	.95
Black (B)	.49