

# EPIC FIVE HI XTM AA NSP

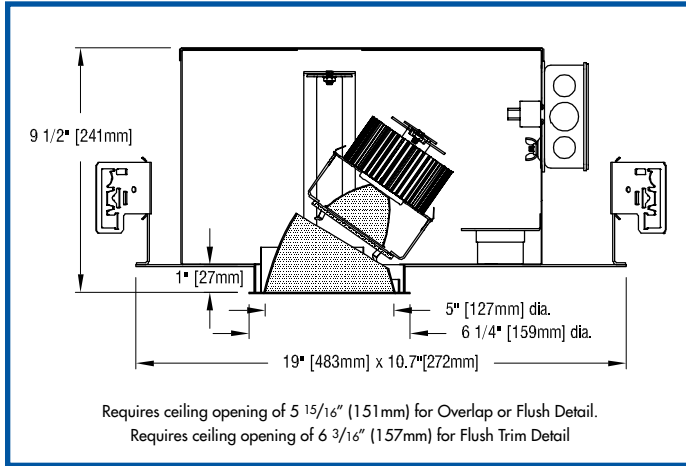
recessed insulation contact LED narrow spot accent light



MADE IN USA

[Click here!](#)

PRECISE OPTICS - PRECISE OPTICS - PRECISE OPTICS - PRECISE OPTICS - PRECISE OPTICS



## FEATURES

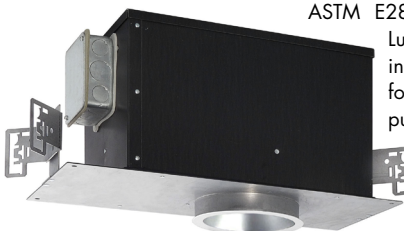
- **EPIC FIVE HI XTM AA NSP is a 5" aperture LED narrow spot accent light designed for insulation contact (IC) and certified airtight under ASTM.** External reflector is cut at a 35° angle. Luminaire provides 362° horizontal rotation and 0°-35° angular adjustment. Once focused, adjustment may be locked by means of a thumb screw and a wing nut.
- **Luminaire is powered by one of a number of Xicato XTM (9mm) LED modules**, all of which are distinguished by extraordinary color consistency (within 1x2-step MacAdam ellipse). See tables on pages below for wattages and efficacies.
- **Luminaire may be ordered with one of a number of drivers.**
- **Housing is constructed from 20-gauge electro-zinc, polyester-coated steel** in Edison Price Lighting's American factory. Heavy-gauge metals, an additional protective coating, and American manufacturing guarantees long-lasting durability.
- **Luminaire employs an internal 'twist and lock' reflector to produce an initial beamspread of 10° or 24°.** To allow beamspread to be changed in installed luminaires, internal reflectors are available as accessories.
- **Luminaire accepts one or two of a number of [Optical Accessories](#) including lenses and color filters.** A complimentary glass 'beam smoother' is included.
- **Luminaire may be converted to a downlight in the field** by re-setting the angular adjustment yoke and replacing the standard external reflector with an optional 0° cut reflector.
- **External [reflectors](#) are available in three clear natural aluminum finishes** — semi-specular (C), slightly diffuse (V) or fully diffuse (EC) — as well as champagne gold, black Alzak® or white. Other finishes available on special order.
- **Luminaire includes a pair of residential mounting bars extendable to 20"** and designed for use in wood joists.
- **For more information, [click here](#).**

## APPLICATIONS

Luminaire is recommended for downlighting in commercial, retail and residential spaces where insulation is specified or likely to be retrofit into the ceiling plenum.

Luminaire is listed for direct contact with insulation, certified airtight under ASTM E283, and suitable for damp location.

Luminaire is prewired, suitable for use in a fire rated ceiling, and approved for eight #12 wire 90° C branch circuit pull-through wiring. Luminaire is RoHS compliant. Removal of the reflector allows access to the driver and junction box.



## PRODUCT CODE

For complete product code, list basic unit and select one item from each following box.

Basic Unit ..... EPIC-XTS-5AA

Internal Reflector  
10° initial beamspread ..... - 10D  
24° initial beamspread ..... - 24D

Driver  
dimmable to 1% by a 0-10V dimmer on 120 or 277-volt service ..... - DMV  
dimmable to 5% by either an incandescent or ELV dimmer;  
120-volt service only ..... - DMP  
eldoLED 0-10V (Logarithmic) driver dimmable to 0.1% with a  
0-10V dimmer on 120 or 277-volt service ..... - DV0ELG  
eldoLED 0-10V (Linear) driver dimmable to 0.1% with a  
0-10V dimmer on 120 or 277-volt service ..... - DV0ELN  
eldoLED driver dimmable to 0.1%, compatible with  
DALI control system ..... - DA0-EL

Light Source Output (Lumens)  
700 lumens / CRI 98 Artist ..... - L07A  
700 lumens / CRI 80+ ..... - L07S  
700 lumens / CRI 80+ Vibrant ..... - L07V  
1000 lumens / CRI 80+ ..... - L10S  
1000 lumens / CRI 80+ Vibrant ..... - L10V

\* Vibrant LED modules are available with 3000K color only.

Light Color  
2700 K ..... *not available with Vibrant LEDs* ..... - 27K  
3000 K ..... - 30K  
3500 K ..... *not available with Vibrant LEDs* ..... - 35K  
4000 K ..... *not available with Vibrant LEDs* ..... - 40K

Voltage  
120 volt service ..... - 120  
277 volt service ..... - 277

External Reflector Color and Detail	Overlap	Trim Flush*
Semi-specular Clear	COL	CTF
Slightly diffuse Clear	VOL	VTF
Fully diffuse Clear	ECOL	ECTF
Champagne Gold	GOL	GTF
Black	BOL	BTF
White	WOL	WTF

Standard reflector flange continues reflector finish. White painted flanges and custom painted flanges are available on special order. Add WF (white flange) or CCF (custom color flange).

\*Trim Flush reflector trim requires the use of a [plaster ring](#) Accessory (see below).

▶ Reflectors detailed for metal or wood ceilings available on special order.

## ACCESSORIES

Specify as separate line item.

**Plaster ring** allows use of 5 7/8" OD Trim Flush (-TF) reflector in sheetrock ceiling: 6 3/16" dia hole required ..... - TF RING/5

## EXTRA REFLECTORS

Specify as separate line items.

10° initial beamspread ..... XTM-REF10-50  
24° initial beamspread ..... XTM-REF24-50

## OPTICAL ACCESSORIES

▼ See next page



## OPTICAL ACCESSORIES *Specify as separate line*

All are 3 3/4" (95mm) diameter.

<b>prismatic lens</b> (Solite) .....	PLS/3.75
<b>55° spread lens</b> .....	LENS/3.75
<b>40° x 70° spread lens</b> .....	LENS/3.75-4070
<b>beam smoother</b> (included with fixture) .....	DIF05/3.75
<b>33% light reduction screen</b> .....	SCR33/3.75
<b>50% light reduction screen</b> .....	SCR50/3.75

### color filters

surprise pink .....	PNK/3.75
daylight blue .....	DAY/3.75
amber .....	AMB/3.75
blue .....	BLU/3.75
green .....	GRN/3.75
red .....	RED/3.75

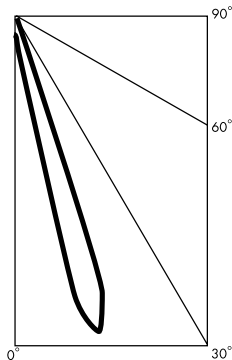
## PHOTOMETRIC REPORT with 10° reflector (tested per IESNA LM-79-2008)

Verification Services Report No. 11480921.04. Original test report furnished upon request.

Luminaire ..... recessed LED round accent light with semi-specular clear aluminum reflector, LED aimed at 15° above vertical  
 Lamp ..... Xicato XTM 9mm LED with 10° beam spread integral reflector, 2000K CCT, 2000 lumens

### CANDLEPOWER DISTRIBUTION (Candela)

Vertical Angle	Horizontal Angle				
	0	22.5	45	67.5	90
0	1322	1322	1322	1322	1322
5	2302	2135	1836	1611	1523
15	26920	10954	3621	1163	1016
25	2270	1353	993	693	600
35	47	39	30	25	14
45	4	4	4	4	5
55	1	1	1	1	2
65	0	0	0	1	1
75	0	0	0	0	0
85	0	0	0	0	0
90	0	0	0	0	0



### LUMINAIRE LIGHT OUTPUT AND EFFICACY

LED Light Engine	Luminaire Light Output	Luminaire CBCP	Luminaire Efficacy (lms/watt)	System Wattage
700 Lumens Artist	579*	9692*	39*	15
1000 Lumens standard & Vibrant	805*	13,461*	54*	15
2000 Lumens standard & Vibrant (test only)	1609	26,922	43	37

\*estimated values

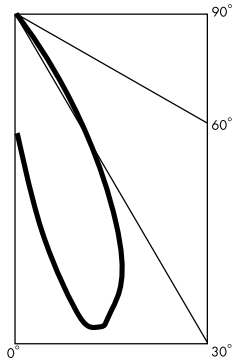
## PHOTOMETRIC REPORT with 24° reflector (tested per IESNA LM-79-2008)

Verification Services Report No. 11480921.02. Original test report furnished upon request.

Luminaire ..... recessed LED round accent light with semi-specular clear aluminum reflector, LED aimed at 15° above vertical  
 Lamp ..... Xicato XTM 9mm LED with 24° beam spread integral reflector, 2000K CCT, 2000 lumens

### CANDLEPOWER DISTRIBUTION (Candela)

Vertical Angle	Horizontal Angle				
	0	22.5	45	67.5	90
0	1774	1774	1774	1774	1774
5	2952	2841	2566	2150	1832
15	5319	4547	3027	1763	1072
25	4063	2864	1572	892	484
35	863	464	180	56	10
45	5	5	4	4	4
55	1	1	1	2	2
65	1	1	1	1	1
75	0	0	0	0	0
85	0	0	0	0	0
90	0	0	0	0	0



### LUMINAIRE LIGHT OUTPUT AND EFFICACY

LED Light Engine	Luminaire Light Output	Luminaire CBCP	Luminaire Efficacy (lms/watt)	System Wattage
700 Lumens Artist	479*	1915*	32*	15
1000 Lumens standard & Vibrant	666*	2660*	44*	15
2000 Lumens standard & Vibrant (test only)	1331	5319	36	37

\*estimated values

## STANDARD DMV DRIVER INFORMATION

(UL Class 2, dry and damp location)

Voltage	120	277
Input Watts (L07A/L10S&V)	15/21/15	15/21/15
Input Current (A) (L07A/L10S&V)	.13/.17/.13	.05/.07/.05
Output Current (mA)	500-1250	500-1250
Min. Power Factor	>0.9	>0.9
Operating Temperature Range (F)	-4 to 122	-4 to 122

## LIGHT OUTPUT MULTIPLIER

LED Light Engine	Light Output Multiplier
700 Lumens Artist	.36*
1000 Lumens standard & Vibrant	.5*
2000 Lumens standard & Vibrant (test only)	1

\*estimated values

## REFLECTOR COLOR MULTIPLIERS

Semi-specular clear (C)	1
Slightly diffuse clear (V)	.95
Fully diffuse clear (EC)	.88
Champagne gold clear (G)	.95
Black (B)	.49