

Crafting ambiance,
Shaping light.

FREEFLOW

EDISON PRICE LIGHTING
NEW YORK | LOS ANGELES



FREEFLOW TRACK OVERVIEW

DESCRIPTION

Unleash limitless creativity with diverse linear modules on a versatile neon track system, in suspended, surface-mounted, and recessed versions, powered by sleek 48VDC, built to last with high-quality black aluminum, offering various track lengths.

FEATURES

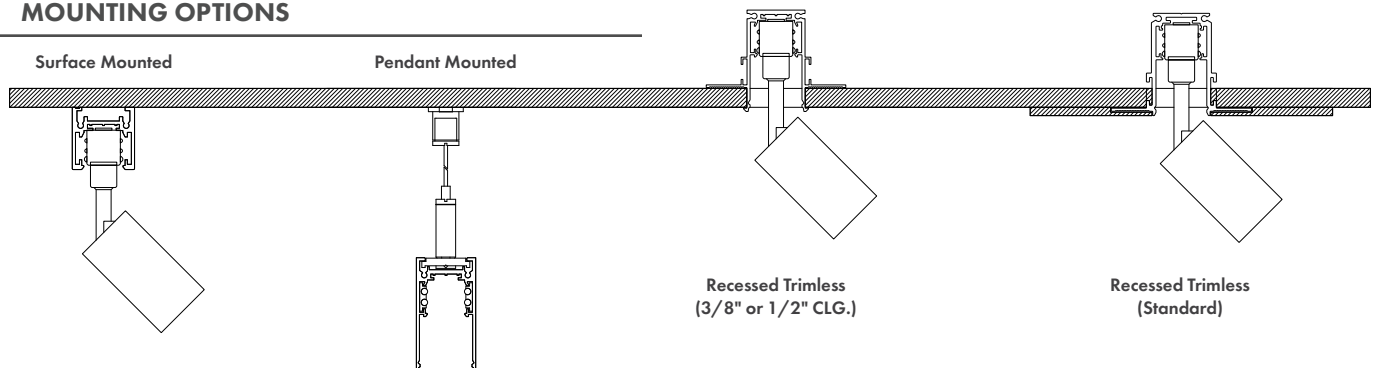
- DC48V magnetic track system
- 0.79-inch width for versatile lighting solutions
- Flexible combination of linear modules, spotlights, pendant lights, and decorative neon
- Accommodates basic flood lighting, accent lighting, and decorative lighting needs
- Available in suspended, surface, and recessed options

FREEFLOW TRACK SYSTEM SPECIFICATIONS

Category	Value
Mounting	Ceiling/Pendant/Recessed Trimless
Material	AL6063-TS
Finish	Black
Lengths	2', 4', 6', 8' Standard (Custom lengths available)
Rated Current	7A
Maximum Load	350W
Input Voltage	DC48V

Revised January 26, 2024 4:07 PM

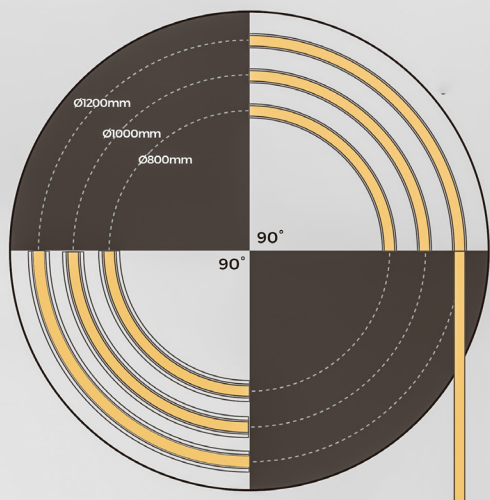
MOUNTING OPTIONS

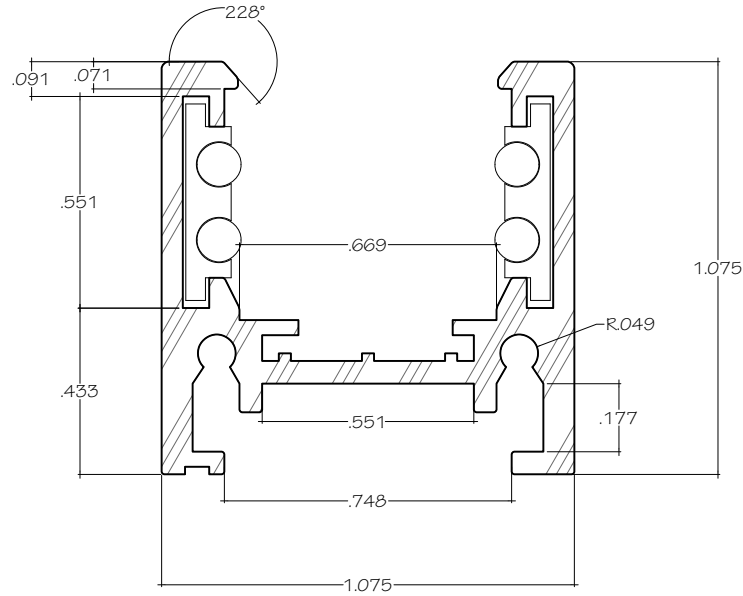


Curve your imagination.

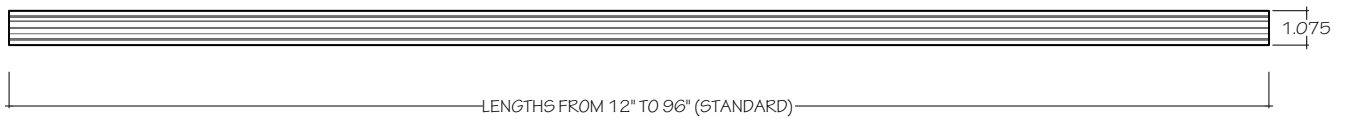
Diameters Available (Ø)
32", 40", 48"

† Available in fixed 90°

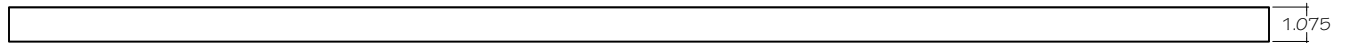




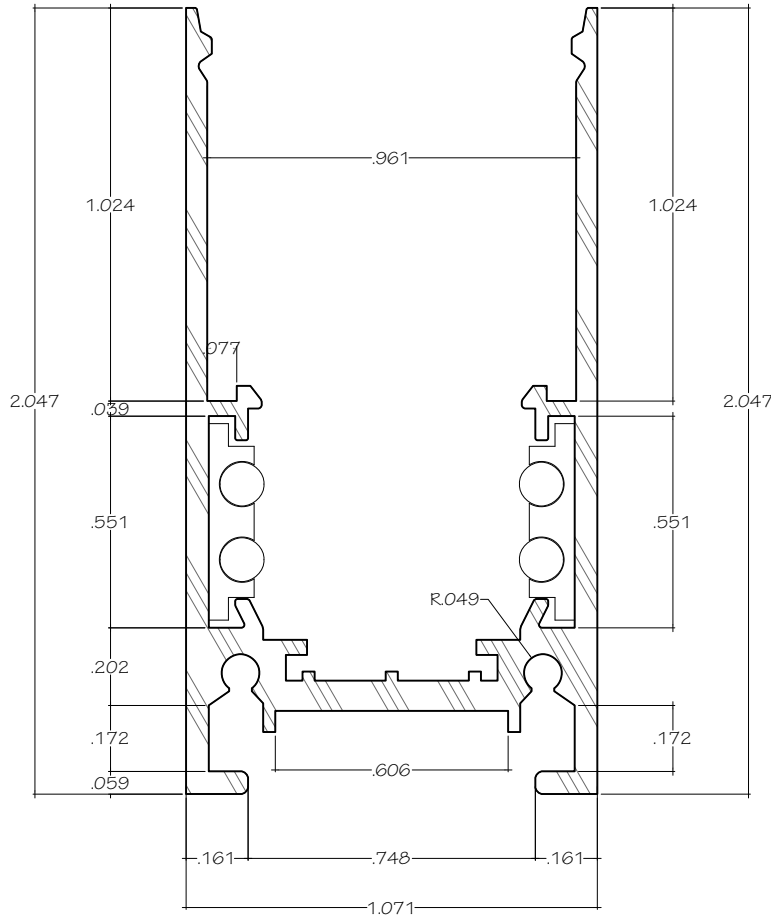
① 2727 - SECTION
1:0.5



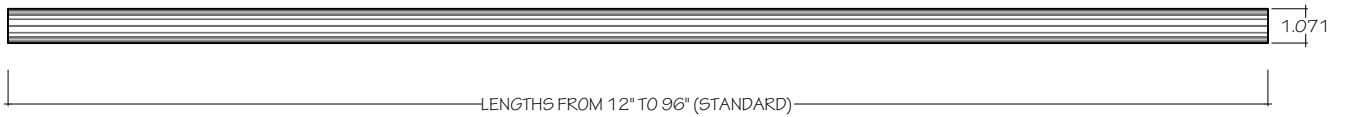
② 2727 - PLAN
1:6



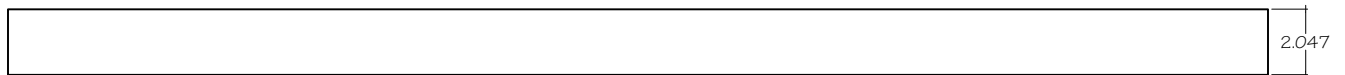
③ 2727 - ELEVATION
1:6



① 2752 - SECTION
1:0.5



② 2752 - PLAN
1:6



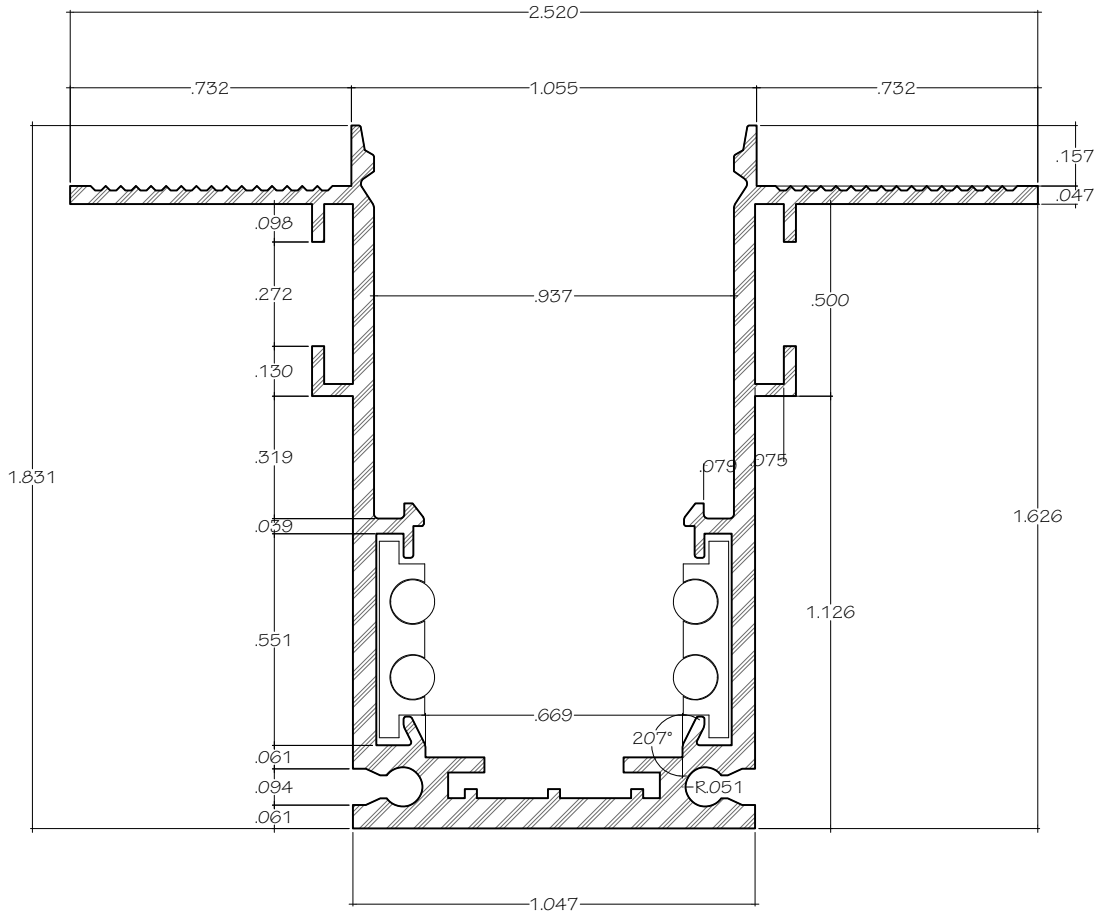
③ 2752 - ELEVATION
1:6



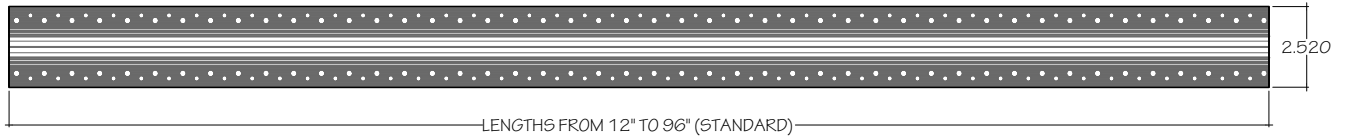
Recessed
brilliance.

Trimless Options

Suited for 1/4", 3/8"
and 1/2" substrates



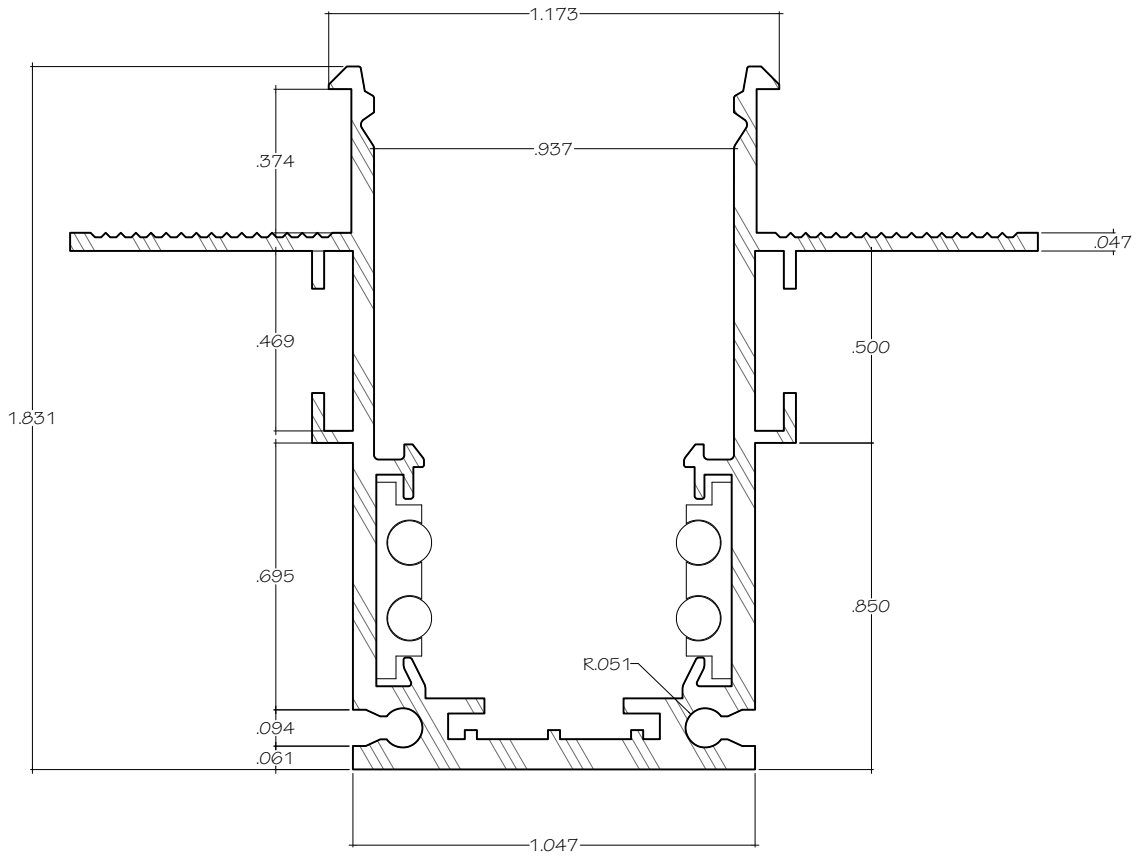
① 2747-4 - SECTION
1:0.5



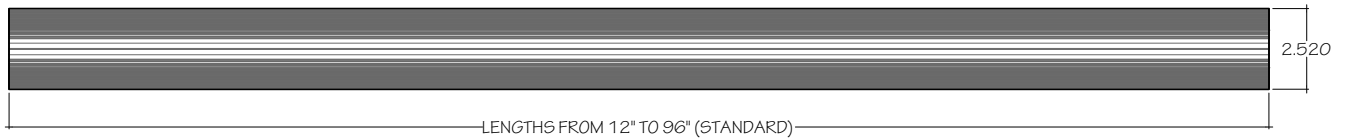
② 2747-4 - PLAN
1:6



③ 2747-4 - ELEVATION
1:6



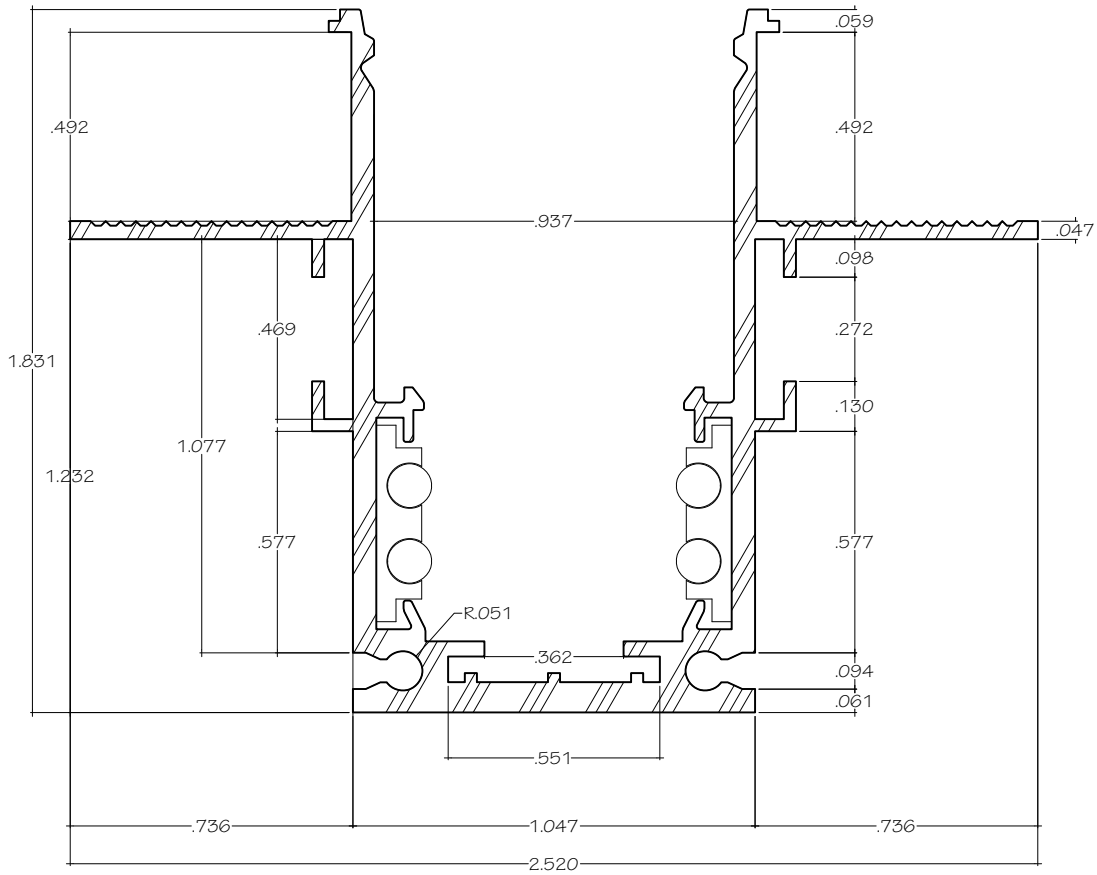
① 2747-95 - SECTION
1:0.5



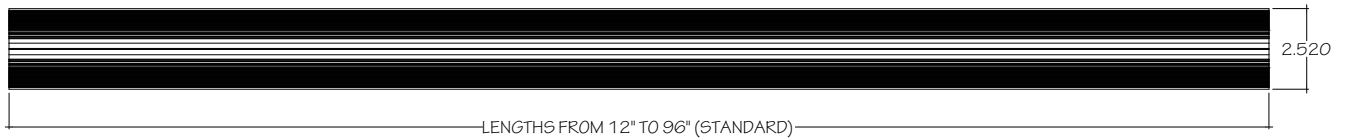
② 2747-95 - PLAN
1:6



③ 2747-95 - ELEVATION
1:6



① 2747-125-SECTION
1:0.5



② 2747-125 - PLAN
1:6

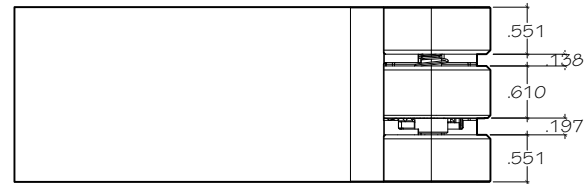
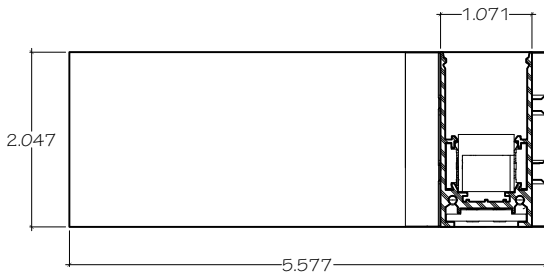
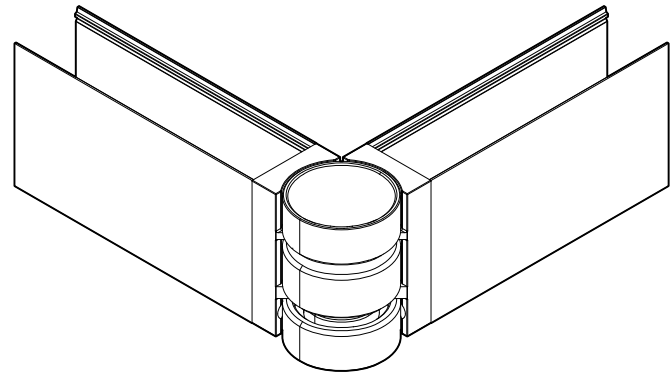
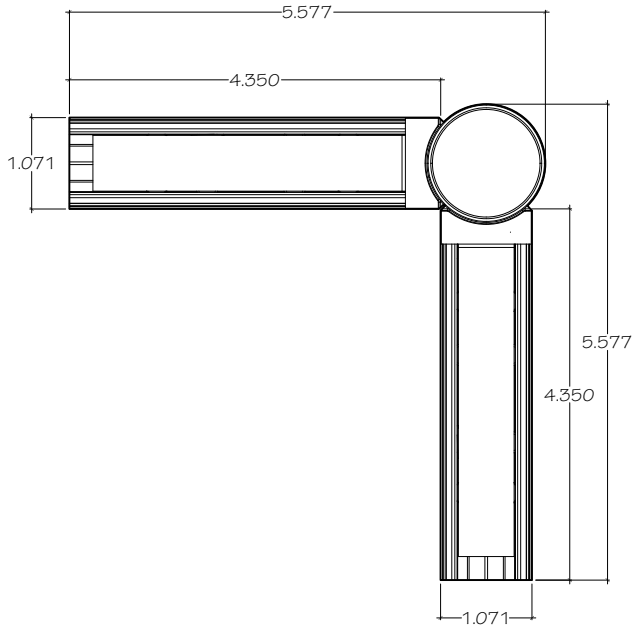


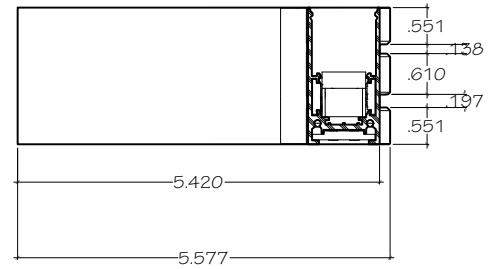
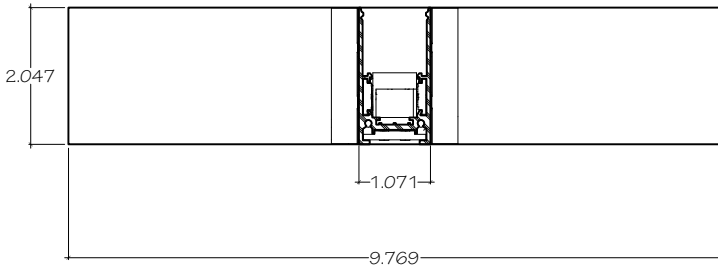
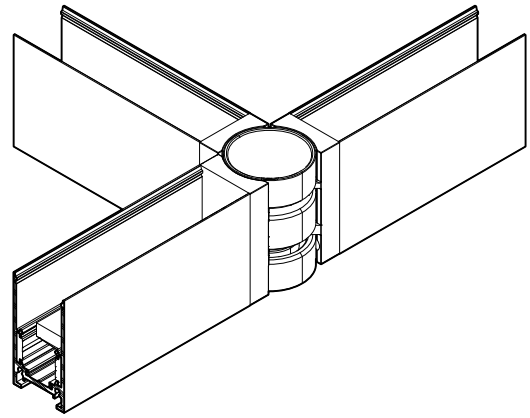
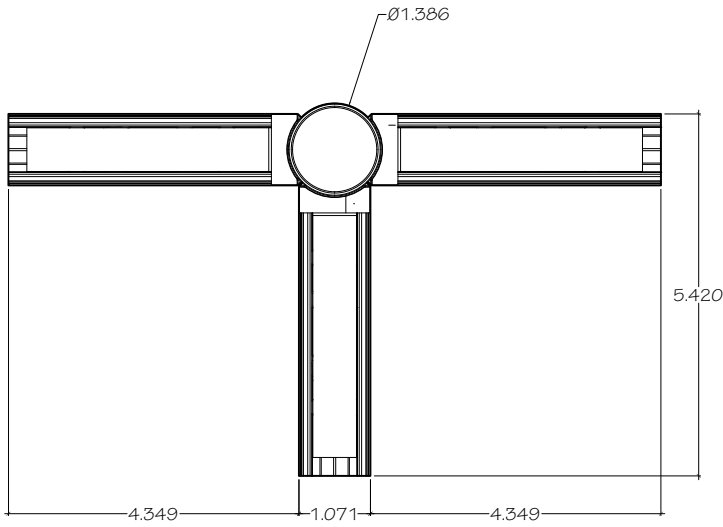
③ 2747-125 - ELEVATION
1:6



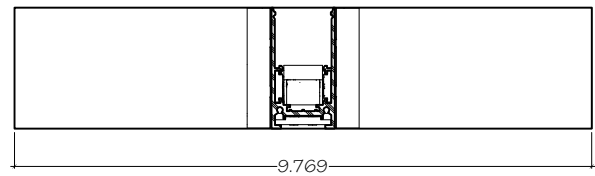
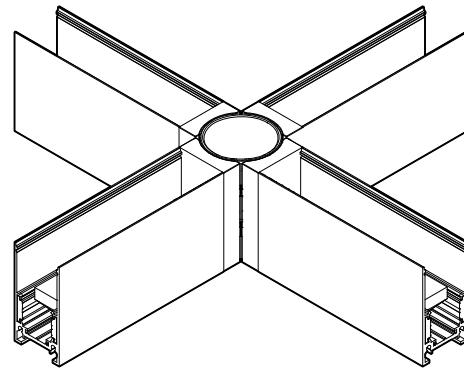
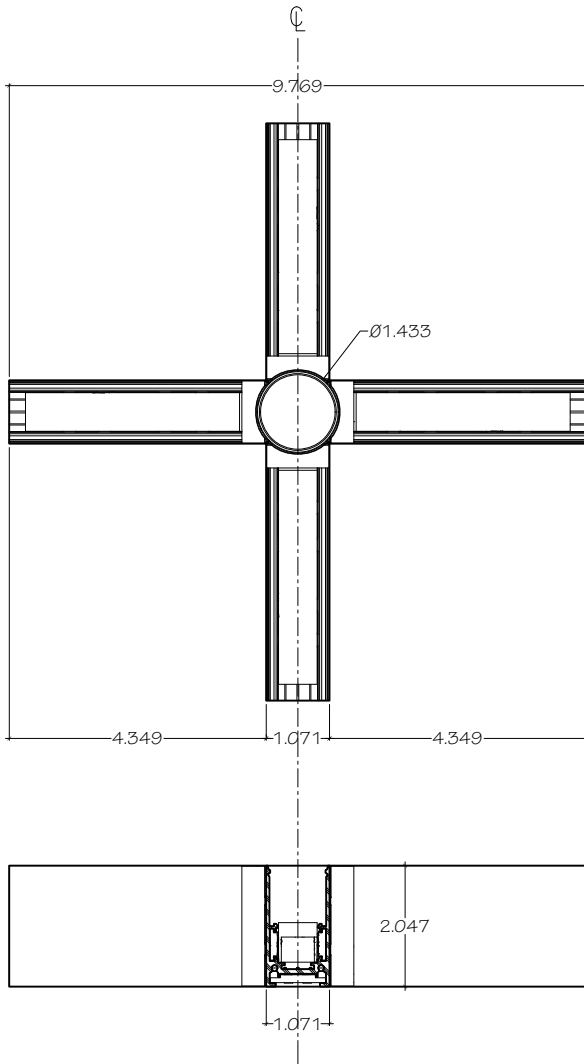
FREEFLOW

48V RECESSED NEO-TRACK





① T-JOINT (ADJUSTABLE)
1:2.875



① X-JOINT (ADJUSTABLE)
1:3.25

TRACK SYSTEM ORDERING GUIDE

EXAMPLE:

FF-TS-P-2752-S-2438-BK

**CUSTOM CONFIGURATIONS REQUIRE APPLICATION ENGINEERING*

1	2	3	4	5	6
---	---	---	---	---	---

1 FAMILY	2 MOUNTING	3 SECTION	4 SHAPE	5 LENGTH	6 FINISH
FF-TS Freeflow 48V Square Track System	P Suspended	2727 1.06" x 1.06"	S Single CRM Continuous Row Mount (> 8'0" Runs) CUST* Custom Shape (Consult factory)	305 12"	BK Black
	S Surface	2752 1.06" x 2.05"		610 24"	
	R Recessed	2747-4 Standard Recessed 2747-95 For 3/8" Gyp. Ceiling 2747-125 For 1/2" Gyp. Ceiling		1219 48" 2438 96" CUST* Custom Length (Consult factory)	



FR-TH-SP-D30
Ø 1.2" Fixed Spotlight



FR-TH-SP-D42
Ø 1.7" Fixed Spotlight



FR-TH-SP-D52
Ø 2.0" Fixed Spotlight



FR-TH-SP-D62
Ø 2.4" Fixed Spotlight



FR-TH-SP-ZM45
Ø 1.8" Zoomable Spotlight



FR-TH-SP-ZM55
Ø 2.2" Zoomable Spotlight



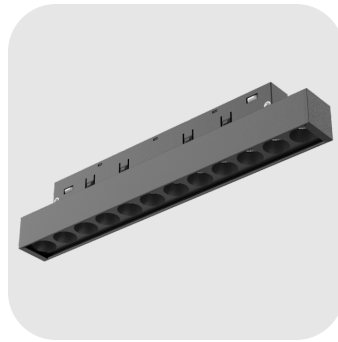
FR-TH-SP-ZM65
Ø 2.6" Zoomable Spotlight



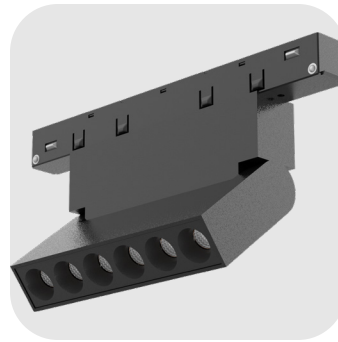
FR-TH-LN-25-DF
Linear Module, Frosted Diffuser Lens



FR-TH-LN-25-PR
Linear Module, Microprismatic Lens



FR-TH-LN-25-GR
Linear Module, Grating Lens



FR-TH-LN-MC
Linear Module, Microcell Lens



FR-TH-LN-25-ASYM
Linear Module, Wallwash Lens



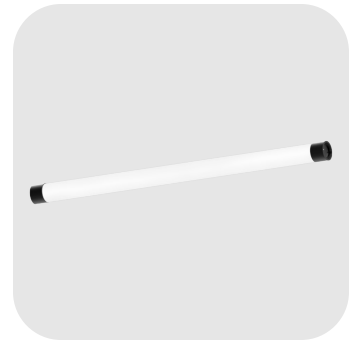
FR-TH-LN-25-DASYM
Linear Module, Batwing Lens



FR-TH-LN-25-BLOC
Linear Module, Block Frosted Lens



FR-TH-NS
Ø 1.25" Flexible Round Neon



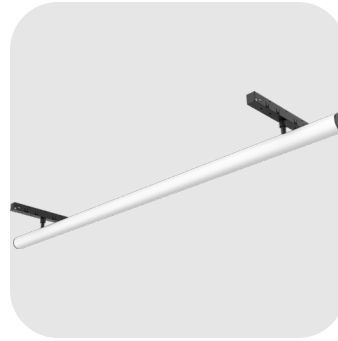
FR-TH-NT
Ø 1.25" Rigid Round Neon



FR-TH-NP
Ø 1.25" Round Neon Pendant



FR-TH-SQ
Flexible Square-Section Neon



FR-TH-CT-D30-NE-1200
Rigid Round Neon Cross-Track, 48" Length



FR-TH-CT-D30-NE-900
Rigid Round Neon Cross-Track, 36" Length



FR-TH-CT-D30-NE-600
Rigid Round Neon Cross-Track, 24" Length



FR-TH-CYL
Ø 1.25", 2" Cylinder Pendant



FR-TH-GL
Ø 3.875" Globe Pendant



FR-TH-SS
Ø 2.125" Sunset Lamp

SKETCH YOUR OWN CONFIGURATION (for reference only — no one's expecting Picasso)



