

Project

Type



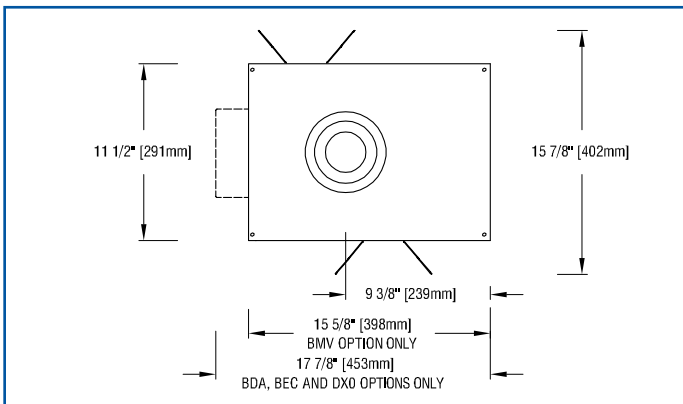
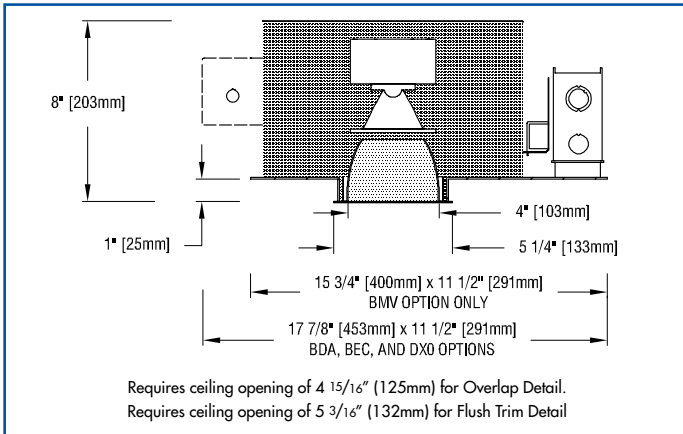
Date

Product Code

Designer

MOOD MASTER™/4 DL

recessed color tuning downlight



- Luminaire is commissioned by Lumenetix Araya Tunable Color 2.0 iOS app. Wireless commissioning of LED array and programming of Sceneset is done via an embedded Bluetooth radio. Tunable parameters include:
 - on / off
 - CCT range of 1650K to 8000K
 - dimming 100% to 0.1% at constant CCT
 - hue (defines color, i.e. red, orange, yellow, green...white)
 - saturation (defines the intensity of the color chosen)
- Luminaire may be equipped for use on a 3-wire circuit controlled by one of a number of dimming protocols.
- Luminaire includes an internal reflector to produce a 20° spot, 40° flood or 60° wide flood beam spread. To allow beam spread to be changed after installation, internal reflectors are also available as accessories.
- An optional integral holder (DG) permits the use of one or two of a number of [Optical Accessories](#) including lenses and color filters. A complimentary prismatic lens is included.
- External reflectors are available in three clear natural aluminum finishes - semi-specular (C), slightly diffuse (V) or fully diffuse (EC) — as well as champagne gold or black Alzak®. Other finishes available on special order. A LightPlate trim may be used instead of an external reflector.
- Housing is constructed from 20-gauge electro-zinc, polyester-coated steel in Edison Price Lighting's American factory. Heavy-gauge metals and American manufacturing guarantee long-lasting durability.
- Luminaire includes a pair of mounting bars (3/4" x 27" C channel). Specialty bars for wood joists and T-bar installations are also available.
- For more information, [click here](#).

APPLICATIONS

Luminaire is suitable for interior spaces wherever control of the color and intensity of light will enhance the experience of the occupants.

Luminaire is listed for Damp Location and is RoHS compliant. Luminaire is prewired with thermal protector, approved for ten #12 wire 90° branch circuit pull-through wiring, and suitable for use in a fire rated ceiling. Removal of the reflector allows access to the junction box.

Mood Master/4 DL is a 4" aperture, color tuning downlight powered by a Lumenetix® araya® LED module that produces 90+CRI white light (within 2-step MacAdam ellipse).

PRODUCT CODE

For complete product code, list basic unit and select one item from each following box.

Basic Unit	no lens holder	FH-CTM2-4DL
	with lens holder	FH-CTM2-4DG

Beam Spread Reflector	20° spot.....	- 20D
	40° flood	- 40D
	60° wide flood.....	- 60D

Light Source Output	1200 lumens	- L12
	2000 lumens	- L20

Control Options	Controlled by two 0-10V dimmers, one for CCT tuning and one for dimming to 1%	- BMV
	Controlled by Lutron ECOSystem for CCT tuning and dimming to 1%	- BEC
	Controlled by DALI controllers for CCT tuning and dimming to 1%	- BDA
	Controlled by a DMX controller for CCT, hue and saturation tuning, and dimming to 0.1; equipped with two CAT5e connectors for "Daisy-Chain" control wire connections using CAT5e cables (150' max cable length) between controller and last fixture in chain	- DX0

Voltage	120 volt service	- 120
	277 volt service	- 277

Reflector Color and Detail	Overlap	Trim Flush*
Semi-specular clear	COL.....	CTF
Slightly diffuse Clear	VOL.....	VTF
Fully diffuse Clear	ECOL.....	ECTF
Champagne Gold	GOL.....	GTF
White	WOL.....	WTF
Black	BOL.....	BTF

Other reflector finishes available on special order.
Standard reflector flange continues reflector finish. White painted flanges and custom painted flanges are available on special order. Add WF (white flange) or CCF (custom color flange).

*Trim Flush reflector trim requires the use of a plaster ring Accessory (see below).
▶ Reflectors detailed for metal or wood ceilings available on special order.

A LightPlate may be ordered instead of a standard reflector above (see next page).
LightPlate Downlight Spot, white.....DP-OL..... DP-TF
Custom painted trims for LightPlate are available on special order. Add -CC

ACCESSORIES *Specify as separate line item.*

Plaster ring allows use of 4 7/8" OD Trim Flush (TF) reflector in sheetrock ceiling: 5 3/16" dia hole required	- TF RING/4
---	-------------

EXTRA REFLECTORS *Specify as separate line items.*

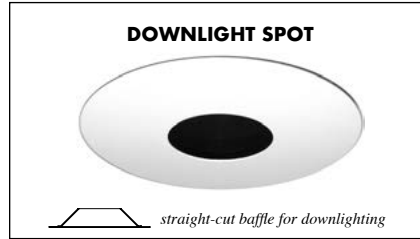
20° spot reflector	CTM2-REF20-72
40° flood reflector	CTM2-REF40-72
60° wide flood reflector	CTM2-REF60-70

OPTICAL ACCESSORIES ▼ *See next page*





LIGHTPLATE *LightPlate may be used instead of standard reflectors.*



OPTICAL ACCESSORIES *Specify as separate line*

For use only with the "lens holder" fixture model; see Product Code / Basic Unit above.
All are 3 3/4" (95mm) diameter. Lenses and filters are glass; screens are aluminum.

prismatic lens (Solite)	<i>included with DG option</i>	PLS/3.75
55° spread lens		LENS/3.75
40° x 70° spread lens		LENS/3.75-4070
33% light reduction screen		SCR33/3.75
50% light reduction screen		SCR50/3.75

color filters

surprise pink	PNK/3.75
daylight blue.....	DAY/3.75
amber.....	AMB/3.75
blue.....	BLU/3.75
green.....	GRN/3.75
red.....	RED/3.75

DRIVER INFORMATION *(UL Class 2, dry and damp location)*

Voltage	120	277
Max. Input Watts (2000 lumens/1200 lumens)	33/22	33/22
Max. Input Current (A) (2000 lumens/1200 lumens)	.28/.18	.12/.08
Min. Power Factor	>0.9	>0.9
Operating Temperature Range (F)	-4 to 122	-4 to 122

REFLECTOR COLOR MULTIPLIERS

Semi-specular clear (C)	1
Slightly diffuse clear (V)	.95
Fully diffuse clear (EC)	.88
Champagne gold clear (G)	.95
Black (B)	.49

LIGHT OUTPUT MULTIPLIER

(Based on 2000 lumens LED)

LED Light Engine	Light Output Multiplier
2000 Lumens	1
1200 Lumens	0.62*

*estimated values

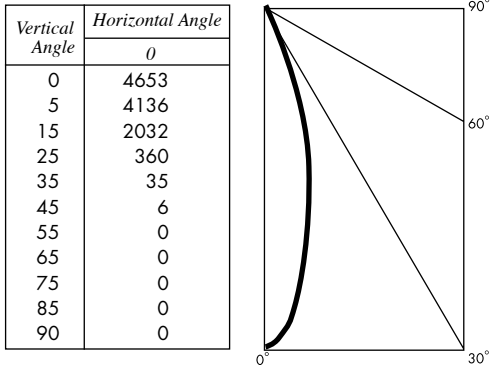
– photometrics continued below –

PHOTOMETRIC REPORT with 20° reflector (TESTED PER IESNA LM-79-2008)

Prorated from Leading Testing Laboratories Report No. UT18080004-01. Original test report furnished upon request.

Luminaire recessed LED round downlight
 Lamp Lumenix CTM2 LED Engine, 2000 lumens, 90+ CRI, with 20° beam spread integral reflector and DIF15 diffuser
 Lamp Life rated 50,000 hours based on L70/B50 criteria. LM80 report by LED manufacturer furnished upon request
 Spacing Criteria 0.5

CANDLEPOWER DISTRIBUTION (Candela)



ZONAL LUMEN SUMMARY

Zone	Lumens	% Fixture
0 - 40°	1117	99.4
0 - 60°	1122	99.9
0 - 90°	1122	99.9
90 -180°	2	0.1

LUMINANCE DATA

Vertical Angle	Candelam ²
45	2128
55	0
65	0
75	0
85	0

LUMINAIRE LIGHT OUTPUT AND EFFICACY

(20° beam spread integral reflector)

	Luminaire Light Output	Luminaire Efficacy (lms/watt)	System Wattage
LED Light Engine			
2000 Lumens	1124	42	33
1200 Lumens	697*	44*	22

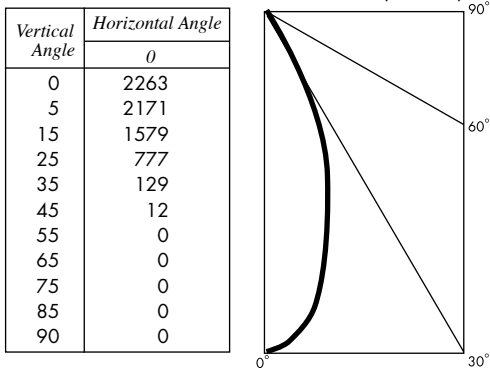
*estimated values

PHOTOMETRIC REPORT with 40° reflector (TESTED PER IESNA LM-79-2008)

Prorated from Leading Testing Laboratories Report No. UT18080004-02. Original test report furnished upon request.

Luminaire recessed LED round downlight
 Lamp Lumenix CTM2 LED Engine, 2000 lumens, 90+ CRI, with 40° beam spread integral reflector and DIF15 diffuser
 Lamp Life rated 50,000 hours based on L70/B50 criteria. LM80 report by LED manufacturer furnished upon request
 Spacing Criteria 0.7

CANDLEPOWER DISTRIBUTION (Candela)



ZONAL LUMEN SUMMARY

Zone	Lumens	% Fixture
0 - 40°	1082	98.7
0 - 60°	1094	99.7
0 - 90°	1094	99.7
90 -180°	3	0.3

LUMINANCE DATA

Vertical Angle	Candelam ²
45	4075
55	0
65	0
75	0
85	0

LUMINAIRE LIGHT OUTPUT AND EFFICACY

(40° beam spread integral reflector)

	Luminaire Light Output	Luminaire Efficacy (lms/watt)	System Wattage
LED Light Engine			
2000 Lumens	1097	41	33
1200 Lumens	680*	43*	22

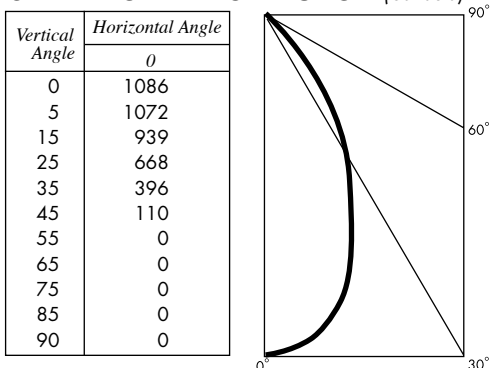
*estimated values

PHOTOMETRIC REPORT with 60° reflector (TESTED PER IESNA LM-79-2008)

Prorated from Leading Testing Laboratories Report No. UT18080004-03. Original test report furnished upon request.

Luminaire recessed LED round downlight
 Lamp Lumenix CTM2 LED Engine, 2000 lumens, 90+ CRI, with 60° beam spread integral reflector and DIF15 diffuser
 Lamp Life rated 50,000 hours based on L70/B50 criteria. LM80 report by LED manufacturer furnished upon request
 Spacing Criteria 0.9

CANDLEPOWER DISTRIBUTION (Candela)



ZONAL LUMEN SUMMARY

Zone	Lumens	% Fixture
0 - 40°	916	90.6
0 - 60°	1010	100.0
0 - 90°	1010	100.0
90 -180°	0	0

LUMINANCE DATA

Vertical Angle	Candelam ²
45	37206
55	0
65	0
75	0
85	0

LUMINAIRE LIGHT OUTPUT AND EFFICACY

(60° beam spread integral reflector)

	Luminaire Light Output	Luminaire Efficacy (lms/watt)	System Wattage
LED Light Engine			
2000 Lumens	1010	37	33
1200 Lumens	626*	39*	22

*estimated values