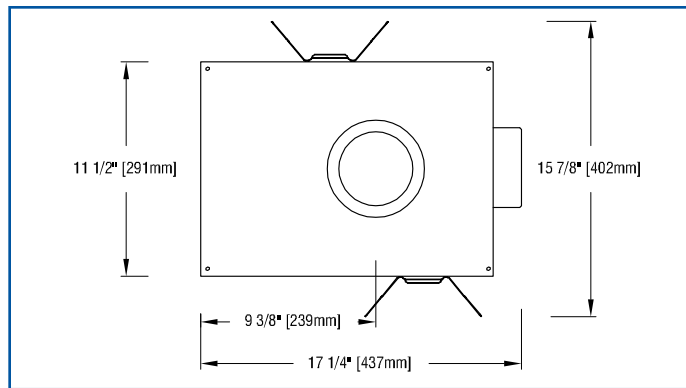
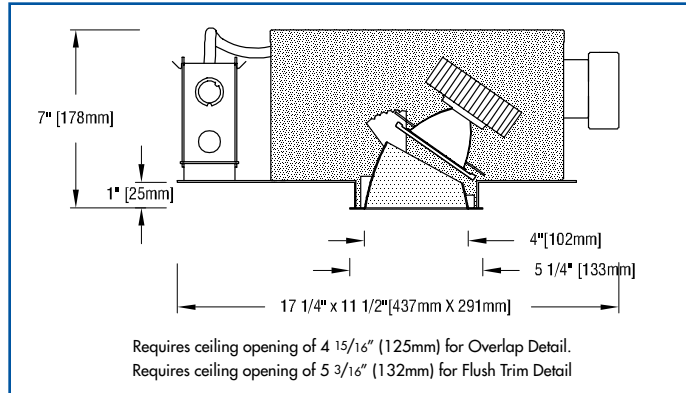


FOUR HI CZS AA recessed LED accent light

HIGH OUTPUT - HIGH OUTPUT - HIGH OUTPUT - HIGH OUTPUT - HIGH OUTPUT - HIGH OUTPUT - HIGH OUTPUT - HIGH OUTPUT



FEATURES

- FOUR HI CZS AA is a 4" aperture LED accent light capable of 15° to 56° beam spreads. Luminaire is powered by Citizen chip-on-board LED's providing CRI's of 80+, 90+ or 97. See tables below for wattages and efficacies.
- Luminaire employs an internal 'twist and lock' reflector to produce an initial beam-spread of 15°, 31°, 40° or 56°. To allow beamspread to be changed in installed luminaires, internal reflectors are available as accessories. Precise reflector design minimizes aperture brightness.
- Luminaire provides 363° horizontal rotation and 0°- 35° angular adjustment with lockable focus.
- Luminaire accepts one or two of a number of **Optical Accessories** including lenses and color filters. Complimentary prismatic lens included.
- External reflectors are available in clear natural aluminum finishes — semi-specular (C), slightly diffuse (V) or fully diffuse (EC) — as well as champagne gold, black Alzak® or white. Other finishes available on special order.
- Housing is constructed from 20-gauge electro-zinc, polyester-coated steel in Edison Price Lighting's American factory. Heavy-gauge metals and American manufacturing guarantee long-lasting durability.
- Luminaire includes a pair of mounting bars (3/4" x 27" C channel). Specialty bars for wood joists and T-bar installations are also available.
- For more information, [click here](#).

APPLICATIONS

Luminaire is listed for Damp Location. Fixture is prewired with an insulation detecting thermal protector. Luminaire approved for eight #12 wire 90° C branch circuit pull through wiring and is suitable for use in a fire rated ceiling. Removal of the external reflector allows access to the LED module and junction box.

For tunable white, see [FOUR HI TUNE AA](#)
For dim-to-warm, see [FOUR HI WARM AA](#)

PRODUCT CODE

For complete product code, list basic unit and select one item from each following box.

Basic Unit	FH-CZS2-AA-4	
Internal Reflector		
15° initial beam spread	15D	
31° initial beam spread	31D	
40° initial beam spread	40D	
56° initial beam spread	56D	
Driver		
dimable to 1% by a 0-10V dimmer on 120 or 277-volt service	DMV	
dimable to 5% or 10% by either an incandescent or ELV dimmer; 120-volt service only	DMP	
dimable to 1% by a 2-wire Lutron compatible dimmer	DMHU	
dimable to 1% SoftOn/FadeToBlack by a Lutron EcoSystem control ...	ECO-LU	
eldoLED 0-10V (Logarithmic) driver dimmable to 0.1% with a 0-10V dimmer on 120 or 277-volt service	DVOELG	
eldoLED 0-10V (Linear) driver dimmable to 0.1% with a 0-10V dimmer on 120 or 277-volt service	DVOELN	
eldoLED driver dimmable to 0.1%, compatible with DAU control system	DA0-EL	
Moon's driver dimmable to 0.1%, compatible with DMX controllers	DX0-MN	
Magnitude (Logarithmic) driver dimmable to 0.1% by a Zigbee Wireless Network; wireless range 50' through standard walls.....	ZG0MAG	
Light Source Output (Lumens)		
1500L / CRI 97	2700K & 3000K only - L15A	
2100L	2700K & 3000K only - L21A	
2800L	2700K & 3000K only - L28A	
3000L	2700K & 3000K only - L30A	
1700L / CRI 90+	2700K & 3000K only - L17H	
2300L	2700K & 3000K only - L23H	
3100L	2700K & 3000K only - L31H	
3400L	2700K & 3000K only - L34H	
1900L / CRI 80+	2700K & 3000K only - L19S	
2700L	- L27S	
3600L	- L36S	
4000L	- L40S	
Light Color		
2700 K	- 27K	
3000 K	- 30K	
3500 K	not available in CRI 90+ and CRI 97 - 35K	
4000 K	not available in CRI 90+ and CRI 97 - 40K	
5000 K	not available in CRI 90+ and CRI 97 - 50K	
Voltage		
120 volt service	- 120	
277 volt service	- 277	
External Reflector Color and Detail		
	<i>Overlap</i>	<i>Trim Flush*</i>
Semi-specular Clear	COL	CTF
Slightly diffuse Clear	VOL	VTF
Fully diffuse Clear	ECOL	ECTF
Champagne Gold	GOL	GTF
Black	BOL	BTF
White	WOL	WTF
Standard reflector flange continues reflector finish. White painted flanges and custom painted flanges are available on special order. Add WF (white flange) or CCF (custom color flange). *Trim Flush reflector trim requires the use of a plaster ring Accessory (see below). ▶ Reflectors detailed for metal or wood ceilings available on special order.		

External Reflector Color and Detail		
	<i>Overlap</i>	<i>Trim Flush*</i>
Semi-specular Clear	COL	CTF
Slightly diffuse Clear	VOL	VTF
Fully diffuse Clear	ECOL	ECTF
Champagne Gold	GOL	GTF
Black	BOL	BTF
White	WOL	WTF
Standard reflector flange continues reflector finish. White painted flanges and custom painted flanges are available on special order. Add WF (white flange) or CCF (custom color flange). *Trim Flush reflector trim requires the use of a plaster ring Accessory (see below). ▶ Reflectors detailed for metal or wood ceilings available on special order.		

Voltage	
120 volt service	- 120
277 volt service	- 277

External Reflector Color and Detail		
	<i>Overlap</i>	<i>Trim Flush*</i>
Semi-specular Clear	COL	CTF
Slightly diffuse Clear	VOL	VTF
Fully diffuse Clear	ECOL	ECTF
Champagne Gold	GOL	GTF
Black	BOL	BTF
White	WOL	WTF
Standard reflector flange continues reflector finish. White painted flanges and custom painted flanges are available on special order. Add WF (white flange) or CCF (custom color flange). *Trim Flush reflector trim requires the use of a plaster ring Accessory (see below). ▶ Reflectors detailed for metal or wood ceilings available on special order.		

OPTIONS Specify by adding to the basic unit.

Remote emergency battery pack including two components – battery pack and plate with test switch and light – to be mounted adjacent to fixture; for use in accessible ceilings	- RX
---	------

ACCESSORIES Specify as separate line item.

Plaster ring allows use of 4 7/8" OD Trim Flush (TF) reflector in sheetrock ceiling: 5 3/16" dia hole required	- TF RING/4
---	-------------

EXTRA REFLECTORS Specify as separate line items.

15° initial beam spread	CZS-REF15
31° initial beam spread	CZS-REF31
40° initial beam spread	CZS-REF40
56° initial beam spread	CZS-REF56

OPTICAL ACCESSORIES *Specify as separate line*

All are 3 3/4" (95mm) diameter.

Lenses and filters are glass; screens are aluminum.

- prismatic lens (Solite) (included with fixture) PLS/3.75
- 55° spread lens LENS/3.75
- 40° x 70° spread lens LENS/3.75-4070
- Beam smoother DIF05/3.75
- 33% light reduction screen SCR33/3.75
- 50% light reduction screen SCR50/3.75

color filters

- surprise pink PNK/3.75
- daylight blue DAY/3.75
- amber AMB/3.75
- blue BLU/3.75
- green GRN/3.75
- red RED/3.75



Warranty Detail

Our 5-year warranty does not include the provision of scaffolding, man-lifts, 'cherry pickers' or other extraordinary means of access to a product requiring maintenance.

PHOTOMETRIC REPORT with 15° reflector (TESTED PER IESNA LM-79-2008)

Leading Testing Laboratories Report No. UT18080001-01a. Original test report furnished upon request.

- Luminaire recessed LED round accent light with semi-specular clear aluminum reflector, LED aimed at 15° above vertical
- Lamp Citizen LED, 3600 lumens, 3000K CCT, 80 CRI, with 15° beam spread integral reflector
- Lamp Life rated 50,000 hours based on L70/B50 criteria. LM80 report by LED manufacturer furnished upon request

LUMINAIRE LIGHT OUTPUT AND EFFICACY

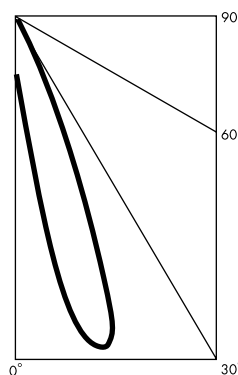
(3000K LED, 15° beam spread integral reflector)

LED Light Engine	Luminaire Light Output	Luminaire CBCP	Luminaire Efficacy (lms/watt)	System Wattage	EM Light Output (90 min. run)
1500 Lumens 97 CRI (L15A)	738*	7015*	46*	16	270*
2100 Lumens 97 CRI (L21A)	1007*	9582*	48*	21	270*
2800 Lumens 97 CRI (L28A)	1367*	13004*	46*	30	270*
3000 Lumens 97 CRI (L30A)	1529*	14544*	45*	34	270*
1700 Lumens 90 CRI (L17H)	828*	7871*	52*	16	306*
2300 Lumens 90 CRI (L23H)	1133*	10779*	54*	21	306*
3100 Lumens 90 CRI (L31H)	1529*	14544*	51*	30	306*
3400 Lumens 90CRI (L34H)	1691*	16083*	50*	34	306*
1900 Lumens 80 CRI (L19S)	971*	9239*	61*	16	360*
2700 Lumens 80 CRI (L27S)	1349*	12833*	64*	21	360*
3600 Lumens 80 CRI (L36S)	1799	17110	60	30	360*
4000 Lumens 80 CRI (L40S)	1979*	18821*	58*	34	360*

*estimated values

CANDLEPOWER DISTRIBUTION (Candela)

Vertical Angle	Horizontal Angle				
	0	45	90	135	180
0	2348	2348	2348	2348	2348
5	5401	3628	2114	1290	1103
15	17110	1588	827	167	142
25	4867	2503	25	13	11
35	871	36	6	0	0
45	14	2	0	1	0
55	0	0	0	0	0
65	0	0	0	0	0
75	0	0	0	0	0
85	0	0	0	0	0
90	0	0	0	0	0



PHOTOMETRIC REPORT with 31° reflector (TESTED PER IESNA LM-79-2008)

Leading Testing Laboratories Report No. UT18090004-05a. Original test report furnished upon request.

Luminaire recessed LED round accent light with semi-specular clear aluminum reflector, LED aimed at 15° above vertical
 Lamp Citizen LED, 3600 lumens, 3000K CCT, 80 CRI, with 31° beam spread integral reflector
 Lamp Life rated 50,000 hours based on L70/B50 criteria. LM80 report by LED manufacturer furnished upon request

LUMINAIRE LIGHT OUTPUT AND EFFICACY

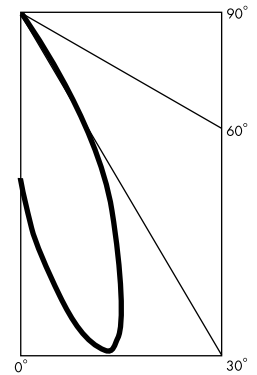
(3000K LED, 31° beam spread integral reflector)

LED Light Engine	Luminaire Light Output	Luminaire CBCP	Luminaire Efficacy (lms/watt)	System Wattage	EM Light Output (90 min. run)
1500 Lumens 97 CRI (L15A)	660*	2784*	41*	16	241*
2100 Lumens 97 CRI (L21A)	901*	3803*	43*	21	241*
2800 Lumens 97 CRI (L28A)	1223*	5161*	41*	30	241*
3000 Lumens 97 CRI (L30A)	1368*	5772*	40*	34	241*
1700 Lumens 90 CRI (L17H)	740*	3124*	46*	16	274*
2300 Lumens 90 CRI (L23H)	1014*	4278*	48*	21	274*
3100 Lumens 90 CRI (L31H)	1368*	5772*	46*	30	274*
3400 Lumens 90CRI (L34H)	1512*	6384*	44*	34	274*
1900 Lumens 80 CRI (L19S)	869*	3667*	54*	16	322*
2700 Lumens 80 CRI (L27S)	1207*	5093*	57*	21	322*
3600 Lumens 80 CRI (L36S)	1609	6791	54	30	322*
4000 Lumens 80 CRI (L40S)	1770*	7470*	52*	34	322*

*estimated values

CANDLEPOWER DISTRIBUTION (Candela)

Vertical Angle	Horizontal Angle				
	0	45	90	135	180
0	3235	3235	3235	3235	3235
5	4733	4086	3092	2281	2109
15	6791	4600	1501	427	369
25	4135	2018	146	48	41
35	843	150	26	5	4
45	45	17	5	0	0
55	0	0	0	0	0
65	0	0	0	0	0
75	0	0	0	0	0
85	0	0	0	0	0
90	0	0	0	0	0



PHOTOMETRIC REPORT with 40° reflector (TESTED PER IESNA LM-79-2008)

Leading Testing Laboratories Report No. UT18090004-06a. Original test report furnished upon request.

Luminaire recessed LED round accent light with semi-specular clear aluminum reflector, LED aimed at 15° above vertical
 Lamp Citizen LED, 3600 lumens, 3000K CCT, 80 CRI, with 40° beam spread integral reflector
 Lamp Life rated 50,000 hours based on L70/B50 criteria. LM80 report by LED manufacturer furnished upon request

LUMINAIRE LIGHT OUTPUT AND EFFICACY

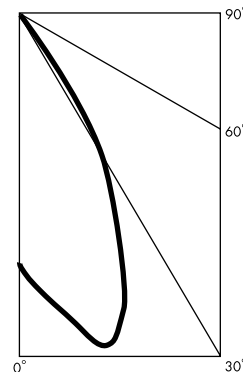
(3000K LED, 40° beam spread integral reflector)

LED Light Engine	Luminaire Light Output	Luminaire CBCP	Luminaire Efficacy (lms/watt)	System Wattage	EM Light Output (90 min. run)
1500 Lumens 97 CRI (L15A)	627*	1781*	39*	16	229*
2100 Lumens 97 CRI (L21A)	856*	2432*	41*	21	229*
2800 Lumens 97 CRI (L28A)	1162*	3301*	39*	30	229*
3000 Lumens 97 CRI (L30A)	1300*	3692*	38*	34	229*
1700 Lumens 90 CRI (L17H)	703*	1998*	44*	16	260*
2300 Lumens 90 CRI (L23H)	963*	2736*	46*	21	260*
3100 Lumens 90 CRI (L31H)	1300*	3692*	43*	30	260*
3400 Lumens 90CRI (L34H)	1437*	4082*	42*	34	260*
1900 Lumens 80 CRI (L19S)	826*	2345*	52*	16	306*
2700 Lumens 80 CRI (L27S)	1147*	3257*	55*	21	306*
3600 Lumens 80 CRI (L36S)	1529	4343	51	30	306*
4000 Lumens 80 CRI (L40S)	1682*	4777*	49*	34	306*

*estimated values

CANDLEPOWER DISTRIBUTION (Candela)

Vertical Angle	Horizontal Angle				
	0	45	90	135	180
0	3182	3182	3182	3182	3182
5	3527	3447	3102	2575	2383
15	4343	3855	2154	956	734
25	2925	2173	326	72	64
35	932	271	24	12	11
45	20	10	2	0	0
55	0	0	0	0	0
65	0	0	0	0	0
75	0	0	0	0	0
85	0	0	0	0	0
90	0	0	0	0	0



PHOTOMETRIC REPORT with 56° reflector (TESTED PER IESNA LM-79-2008)

Leading Testing Laboratories Report No. UT18090004-07a. Original test report furnished upon request.

Luminaire recessed LED round accent light with semi-specular clear aluminum reflector, LED aimed at 15° above vertical
 Lamp Citizen LED, 3600 lumens, 3000K CCT, 80 CRI, with 56° beam spread integral reflector
 Lamp Life rated 50,000 hours based on L70/B50 criteria. LM80 report by LED manufacturer furnished upon request

LUMINAIRE LIGHT OUTPUT AND EFFICACY

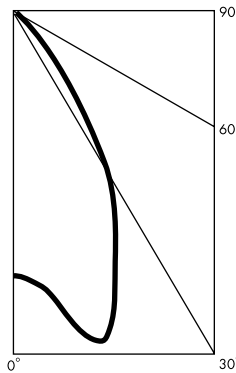
(3000K LED, 56° beam spread integral reflector)

LED Light Engine	Luminaire Light Output	Luminaire CBCP	Luminaire Efficacy (lms/watt)	System Wattage	EM Light Output (90 min. run)
1500 Lumens 97 CRI (L15A)	686*	1462*	43*	16	251*
2100 Lumens 97 CRI (L21A)	937*	1996*	45*	21	251*
2800 Lumens 97 CRI (L28A)	1271*	2709*	42*	30	251*
3000 Lumens 97 CRI (L30A)	1422*	3030*	42*	34	251*
1700 Lumens 90 CRI (L17H)	770*	1640*	48*	16	284*
2300 Lumens 90 CRI (L23H)	1054*	2246*	50*	21	284*
3100 Lumens 90 CRI (L31H)	1422*	3030*	47*	30	284*
3400 Lumens 90 CRI (L34H)	1573*	3351*	46*	34	284*
1900 Lumens 80 CRI (L19S)	903*	1925*	56*	16	335*
2700 Lumens 80 CRI (L27S)	1255*	2674*	60*	21	335*
3600 Lumens 80 CRI (L36S)	1673	3565	56	30	335*
4000 Lumens 80 CRI (L40S)	1840*	3922*	54*	34	335*

*estimated values

CANDLEPOWER DISTRIBUTION (Candela)

Vertical Angle	Horizontal Angle				
	0	45	90	135	180
0	2755	2755	2755	2755	2755
5	2852	2813	2731	2444	2372
15	3565	2997	1935	1017	909
25	2445	1945	810	470	407
35	923	675	301	101	83
45	333	190	12	0	0
55	0	0	0	0	0
65	0	0	0	0	0
75	0	0	0	0	0
85	0	0	0	0	0
90	0	0	0	0	0



LIGHT OUTPUT MULTIPLIER (based on 3600 lumens LED)

LED Light Engine	Light Output Multiplier	EM Light Output Multiplier (90-minute run)
1500 Lumens 97 CRI (L15A)	0.41*	0.15*
2100 Lumens 97 CRI (L21A)	0.56*	0.15*
2800 Lumens 97 CRI (L28A)	0.76*	0.15*
3000 Lumens 97 CRI (L30A)	0.85*	0.15*
1700 Lumens 90 CRI (L17H)	0.46*	0.17*
2300 Lumens 90 CRI (L23H)	0.63*	0.17*
3100 Lumens 90 CRI (L31H)	0.85*	0.17*
3400 Lumens 90CRI (L34H)	0.94*	0.17*
1900 Lumens 80 CRI (L19S)	0.54*	0.2*
2700 Lumens 80 CRI (L27S)	0.75*	0.2*
3600 Lumens 80 CRI (L36S)	1	0.2*
4000 Lumens 80 CRI (L40S)	1.1*	0.2*

*estimated values

STANDARD DRIVER INFORMATION

(UL Class 2, dry and damp location)

Voltage	120	277
Input Watts (L15A/L21A/L28A/L30A/L17H/L23H/ L31H/L34H/L19S/L27S/L36S/L40S lumens)	16/21/30/34	16/21/30/34
Input Current (A) (L15A/L21A/L28A/L30A/L17H/L23H/ L31H/L34H/L19S/L27S/L36S/L40S lumens)	.13/.18/.25/.28	.06/.08/.11/.12
Output Current (mA)	350-1100	350-1100
Min. Power Factor	>0.9	>0.9
Operating Temperature Range (F)	-4 to 122	-4 to 122

LED CCT MULTIPLIERS

Semi-specular clear (C)	1
Slightly diffuse clear (V)	.95
Fully diffuse clear (EC)	.88
Champagne gold clear (G)	.95
Black (B)	.49

2700K	.96
3000K	1
3500K	1.02
4000K	1.03