

Embodying controllable
expression unlike any
other medium

SUSPENSION ONLY
(2MM CABLE)

ROUND TRACK
Ø32MM;
AC OR POLE MOUNT

NEON ROPE 1
LENGTH: 15'10"

FREEHAND

EDISON PRICE LIGHTING
NEW YORK | LOS ANGELES

12'-2 $\frac{1}{8}$ "
[3711]



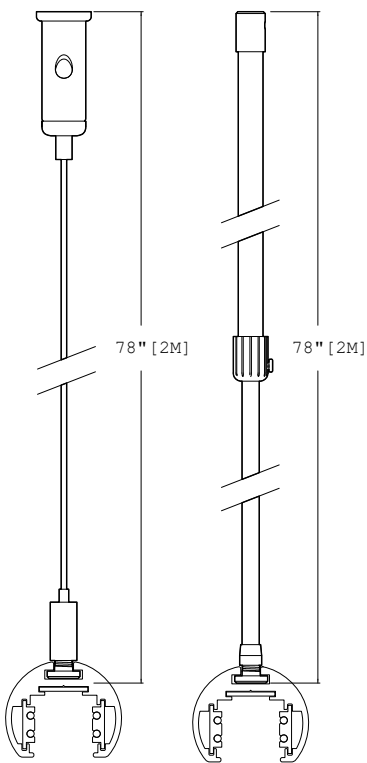
Free-Form Installation

FREEHAND TRACK SYSTEM

DESCRIPTION

Aircraft Cable
Suspension

Pole-Mount
Suspension

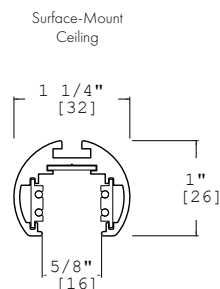


The captivating and fluid description of the Neon track system unfolds as an array of possibilities. It presents itself in two enticing forms: suspended and surface-mounted versions, both of which offer an exquisite blend of functionality and aesthetics. With its ability to gracefully rotate horizontally, this track system showcases its versatility.

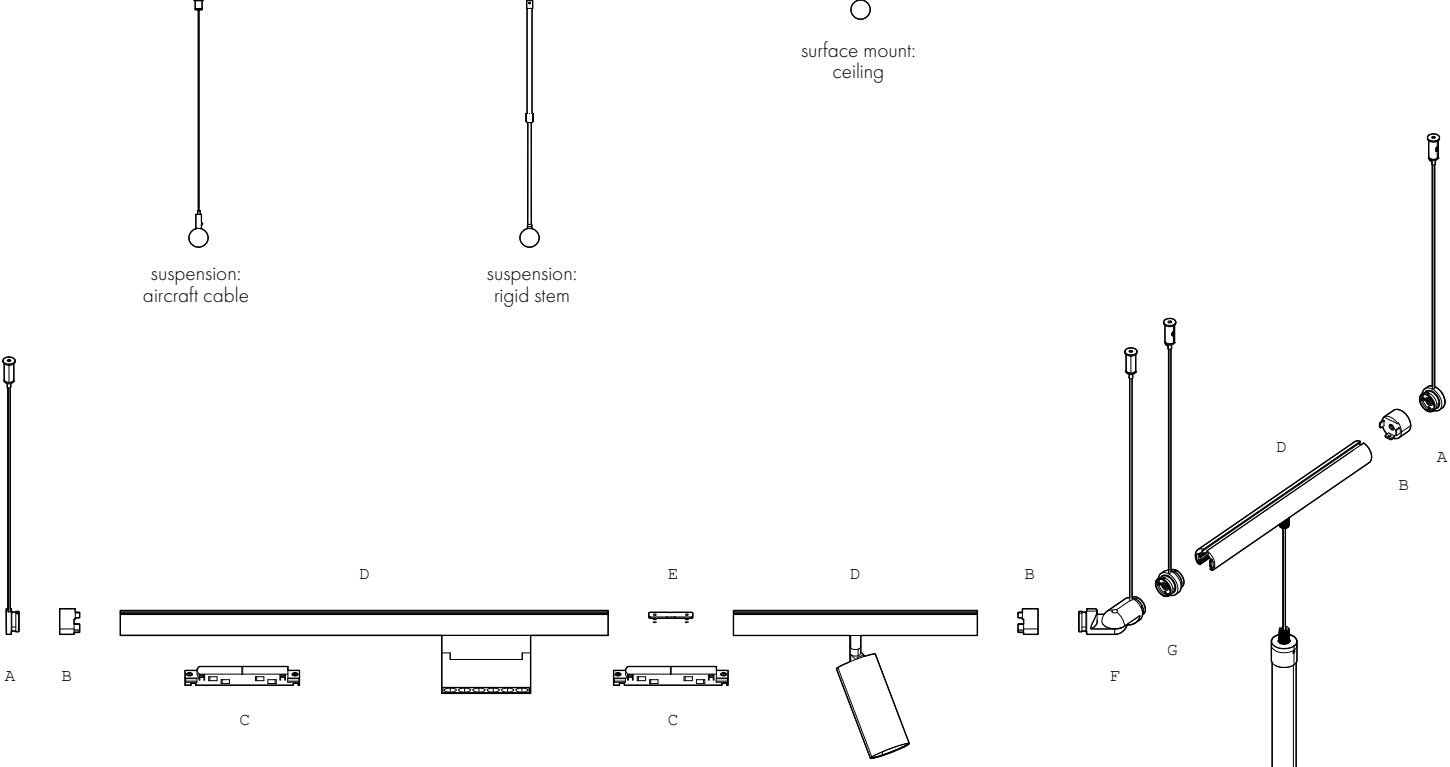
One of the system's standout features is the diverse selection of linear modules, including the diffuser, prismatic, spotlight, downlight, and neon strip. These modules, acting as artistic building blocks, can be freely combined to unlock a myriad of applications. By cleverly intertwining the track and the neon strip module, a symphony of styles and expressions can be crafted, offering a limitless canvas for creative minds.

FEATURES

- » Neon track system available in suspended and surface-mounted versions
- » Horizontal rotation capability for enhanced versatility
- » Diverse linear module options:
 - Diffuser, Prismatic, Spotlight, Downlight, and Neon Strips
- » Modules can be easily combined for limitless applications
- » Creative matching of track and neon strip module for captivating stylings
- » Operates on a sleek 48VDC power supply
- » Compact design with a small and exquisite 30mm diameter
- » High-quality aluminum construction ensures durability and longevity
- » Effortless installation and maintenance for convenience
- » Track system lengths in nominal 3', 6', and 10' sections
- » Track system available in powder-coated black finish



1 MOUNTING OPTIONS **SAMPLE CONFIGURATION**

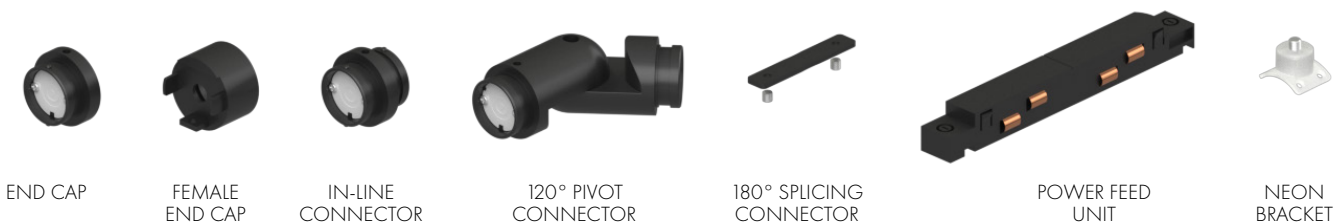


2 COMPONENTS

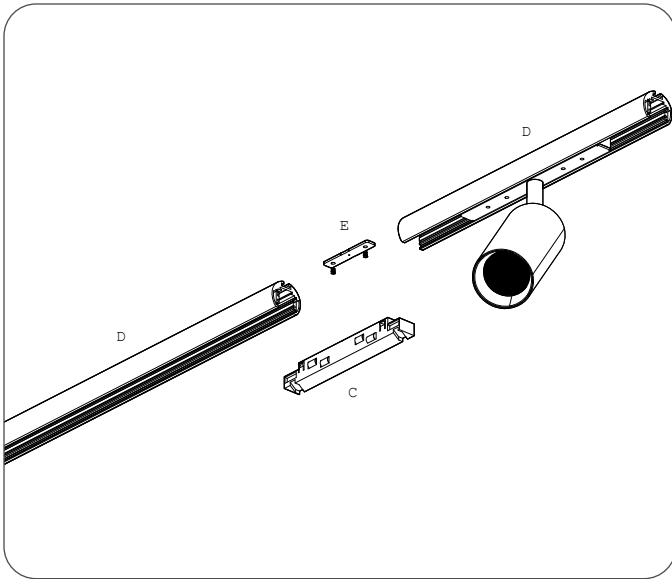
- A** A-FH-ACC-EC
- B** A-FH-ACC-FEC
- C** A-FH-ACC-IPS-SB
- D** A-FH-ACC-RTxx
- E** A-FH-ACC-IPS-SB
- F** A-FH-ACC-ECO
- G** A-FH-ACC-IEC

3 DETAILS

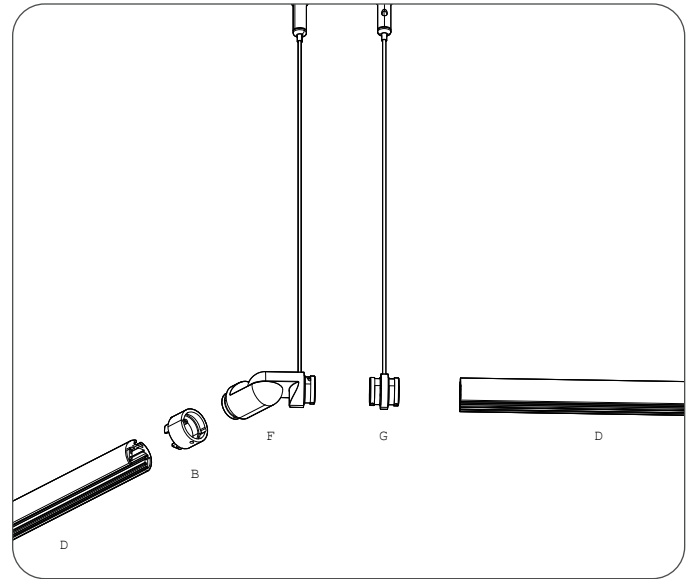
**Not to scale.*



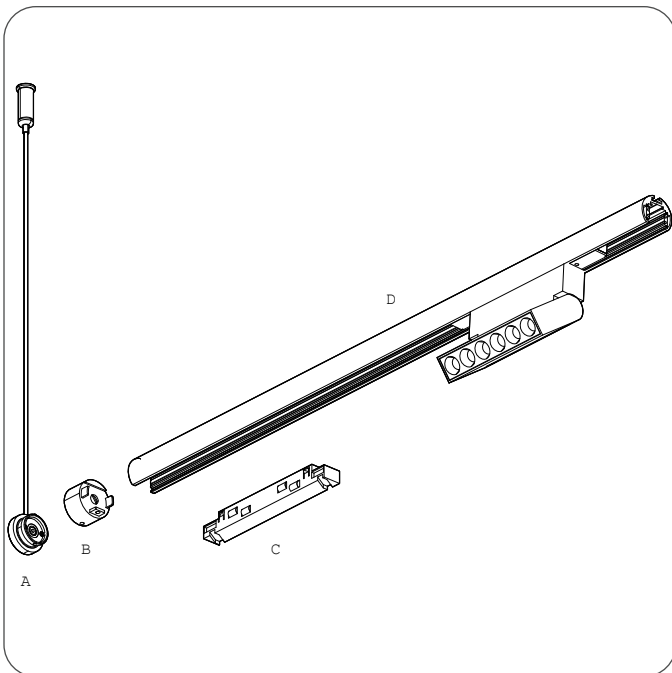
CONNECTION DETAILS



(D) A-FH-ACC-RTxx - (E) A-FH-ACC-IPS-SB
(C) A-FH-ACC-IPS-SB

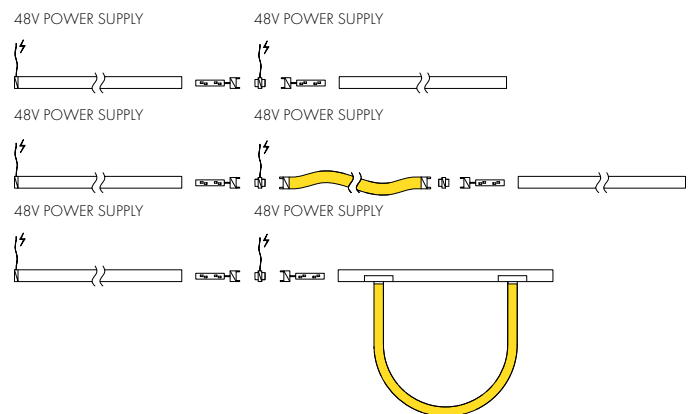


(B) A-FH-ACC-FEC (F) A-FH-ACC-ECO
(G) A-FH-ACC-IEC



(A) A-FH-ACC-EC (B) A-FH-ACC-FEC
(C) A-FH-ACC-IPS-SB

POWER CONFIGURATION



TRACK SYSTEM ORDERING GUIDE

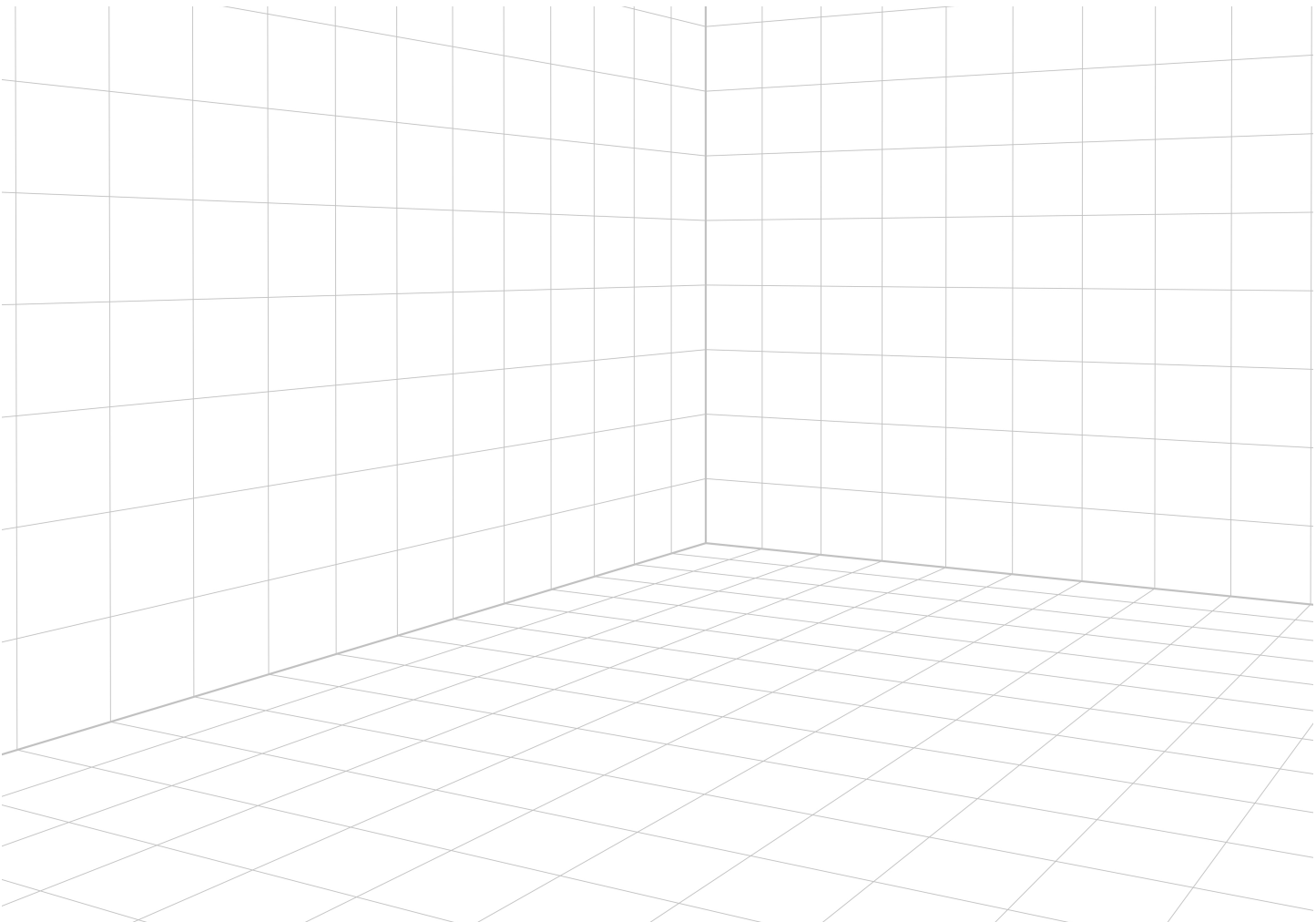
EXAMPLE:

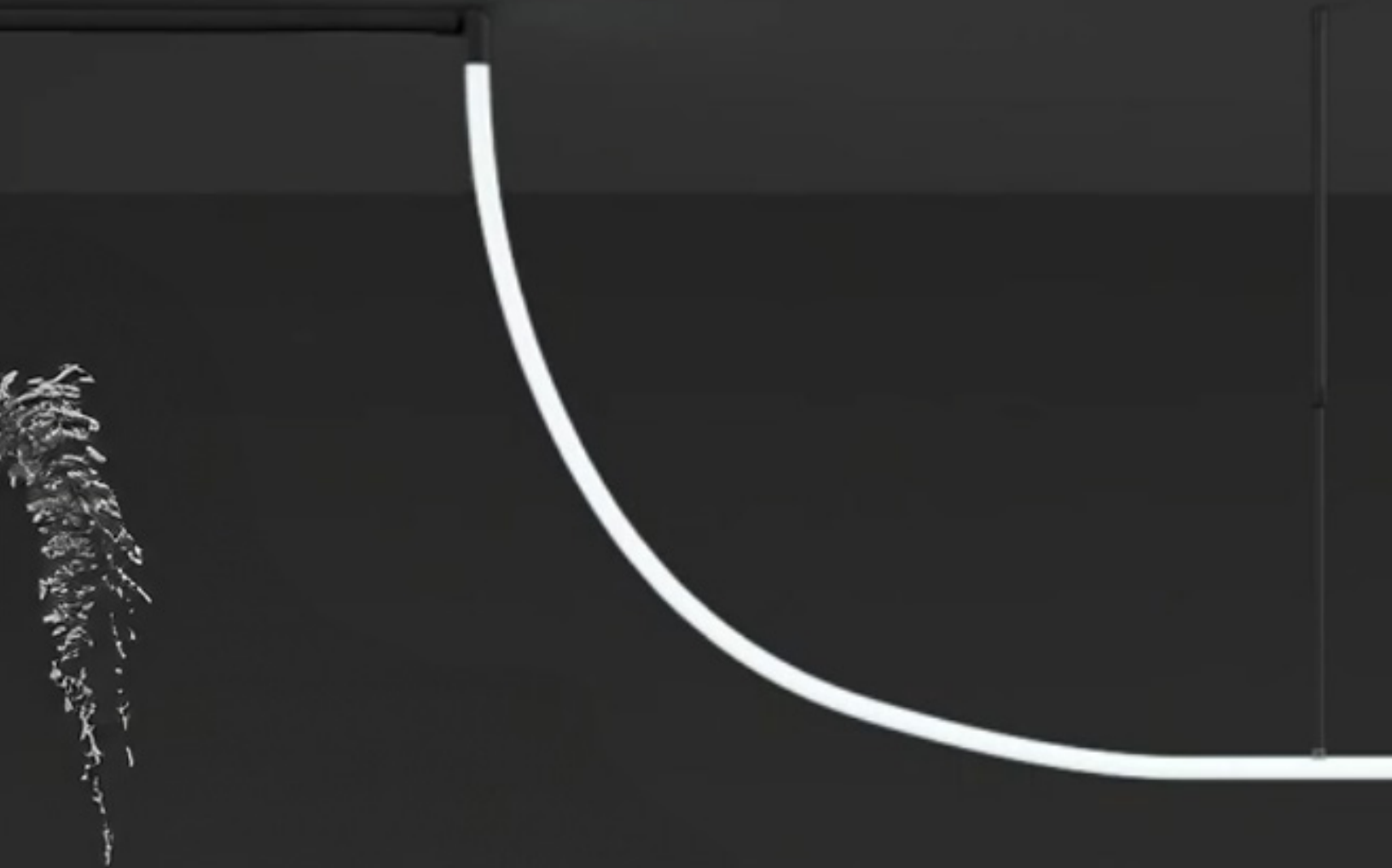
FH-TS-P-D32-S-2000-BK

*CUSTOM CONFIGURATIONS REQUIRE APPLICATION ENGINEERING/DESIGN

1	2	3	4	5	6
---	---	---	---	---	---





1 FAMILY	2 MOUNTING	3 SECTION	4 SHAPE	5 LENGTH	6 FINISH
FH-TS Freehand 48V Round Track System	P Suspended S Surface	D32 Ø1.25"	S Single CRM Continuous Row Mount (> 8'0" Runs) CUST* Custom Shape (Consult factory)	2000 78.74" Length 1000 39.37" Length CUST* Custom Length (Consult factory)	BK Black





CATALOG NO.	DESCRIPTION	REF. IMAGE
1	A-FH-ACC-RT39 ROUND TRACK: MATERIAL AL6063-T5. SIZE L39.37 * W1.26 * H1.04 INCHES. SURFACE PROCESSING: SPRAYING SURFACE.	
2	A-FH-ACC-RT79 ROUND TRACK: MATERIAL AL6063-T5. SIZE L78.74 * W1.26 * H1.04 INCHES. SURFACE PROCESSING: SPRAYING SURFACE.	
3	A-FH-ACC-EC END CAP: MATERIAL ADC12. SIZE 1.26 * 0.63 INCHES. WITH/WITHOUT 2M CABLE.	
4	A-FH-ACC-ECO ELBOW CONNECTOR: MATERIAL ADC12. SIZE 1.26 * 3.54 INCHES. WITH/WITHOUT 2M CABLE; ±120° ROTATABLE HORIZONTALLY.	
5	A-FH-ACC-IEC IN-LINE ELECTRICAL/MECHANICAL CONNECTOR: MATERIAL ADC12. SIZE 1.26 * 1.02 INCHES. WITH/WITHOUT 2M CABLE.	

CATALOG NO.	DESCRIPTION	REF. IMAGE
6	A-FH-ACC-TPF-FEC TRACK POWER FEED: MATERIAL ADC12. SIZE 1.26 * 0.98 INCHES. FEMALE END CAP. ELECTRICAL CONNECTOR: MATERIAL PC. SIZE L5.69 * W0.64 * H0.73 INCHES.	
7	A-FH-ACC-IPS-SB IN-LINE POWER SUPPLY: MATERIAL SPCC. SIZE L1.26 * 0.98 INCHES. SPLICING BAR. ELECTRICAL CONNECTOR: MATERIAL PC. SIZE L5.69 * W0.64 * H0.73 INCHES.	
8	A-FH-ACC-FEC FEMALE END CAP: MATERIAL ADC12. SIZE 1.26 * 0.98 INCHES.	
9	A-FH-ACC-CS CEILING SCREWS: MATERIAL CARBON STEEL. SIZE M0.16 * 1.57 INCHES.	
10	A-FH-ACC-TPR TRACK PENDANT ROD: MATERIAL FE. SIZE 0.53 * (19.69/39.37) INCHES. 0.5-1.0/1.0-2.0M ADJUSTABLE.	

CATALOG NO.	DESCRIPTION	REF. IMAGE
11	A-FH-ACC-TPC TRACK PENDANT CABLE: LENGTH: 2/4M OPTIONAL. LENGTH: 78.74/157.48 INCHES.	
12	A-FH-ACC-CA CEILING ACCESSORIES: MATERIAL TRANSPARENT PC. SIZE L1.57 * W0.91 * H0.33 INCHES.	
13	A-FH-ACC-PA PENDANT ACCESSORIES: MATERIAL STEEL. SIZE 0.06 * 78.74 INCHES.	
14	A-FH-ACC-PR39 PENDANT ROD: MATERIAL FE. SIZE 0.53 * 39.37 INCHES. 1.0-2.0M ADJUSTABLE.	
15	A-FH-ACC-PR20 PENDANT ROD: MATERIAL FE. SIZE 0.53 * 19.69 INCHES. 0.5-1.0M ADJUSTABLE.	



FR-TH-SP-D30
Ø 1.2" Fixed Spotlight



FR-TH-SP-D42
Ø 1.7" Fixed Spotlight



FR-TH-SP-D52
Ø 2.0" Fixed Spotlight



FR-TH-SP-D62
Ø 2.4" Fixed Spotlight



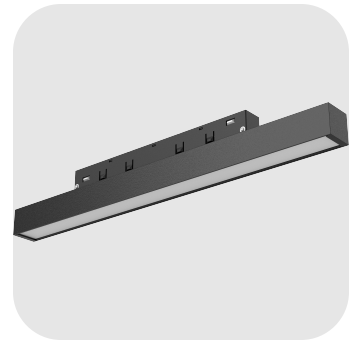
FR-TH-SP-ZM45
Ø 1.8" Zoomable Spotlight



FR-TH-SP-ZM55
Ø 2.2" Zoomable Spotlight



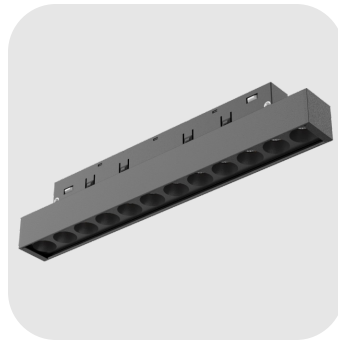
FR-TH-SP-ZM65
Ø 2.6" Zoomable Spotlight



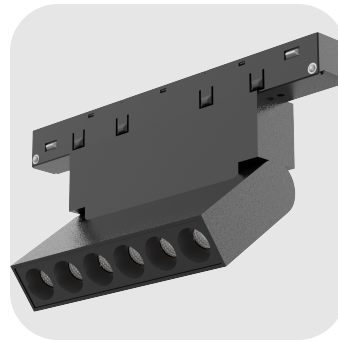
FR-TH-LN-25-DF
Linear Module, Frosted Diffuser Lens



FR-TH-LN-25-PR
Linear Module, Microprismatic Lens



FR-TH-LN-25-GR
Linear Module, Grating Lens



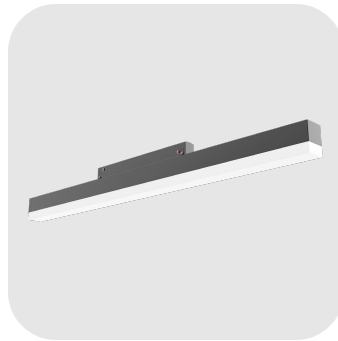
FR-TH-LN-MC
Linear Module, Microcell Lens



FR-TH-LN-25-ASYM
Linear Module, Wallwash Lens



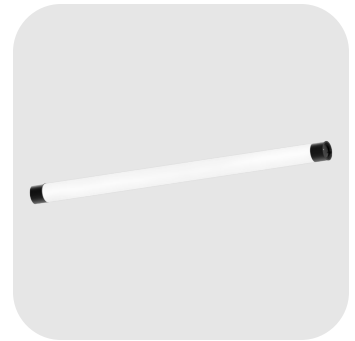
FR-TH-LN-25-DASYM
Linear Module, Batwing Lens



FR-TH-LN-25-BLOC
Linear Module, Block Frosted Lens



FR-TH-NS
Ø 1.25" Flexible Round Neon



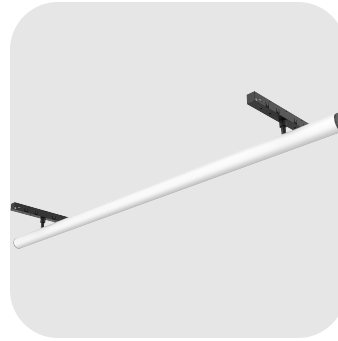
FR-TH-NT
Ø 1.25" Rigid Round Neon



FR-TH-NP
Ø 1.25" Round Neon Pendant



FR-TH-SQ
Flexible Square-Section Neon



FR-TH-CT-D30-NE-1200
Rigid Round Neon Cross-Track, 48" Length



FR-TH-CT-D30-NE-900
Rigid Round Neon Cross-Track, 36" Length



FR-TH-CT-D30-NE-600
Rigid Round Neon Cross-Track, 24" Length



FR-TH-CYL
Ø 1.25", 2" Cylinder Pendant



FR-TH-GL
Ø 3.875" Globe Pendant



FR-TH-SS
Ø 2.125" Sunset Lamp