

Project

Date

Product Code

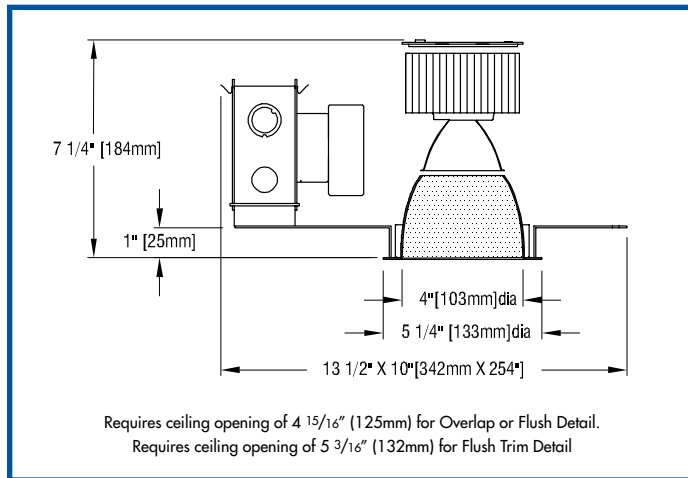
Type

Designer



FOUR HI XTM DL recessed LED downlight

PRECISE OPTICS - PRECISE OPTICS - PRECISE OPTICS - PRECISE OPTICS - PRECISE OPTICS - PRECISE OPTICS - PRECISE OPTICS



FEATURES

- **FOUR HI XTM DL is a 4" aperture LED downlight.** Luminaire is powered by one of a number of Xicato 19 mm XTM LED modules, all of which are distinguished by extraordinary color consistency (within 1x2-step MacAdam ellipse). See tables below for wattages and efficacies. Luminaire may be ordered with one of a number of drivers.
- **Precise reflector design minimizes aperture brightness** and provides a shielding angle of 40°. A thin, highly efficient plastic diffuser is included to obscure the LED module from view from below.
- **Luminaire employs an internal 'twist and lock' reflector** to produce an initial beamspread of 20°, 40° or 60°. To allow beamspread to be changed in installed luminaires, internal reflectors are available as accessories.
- **An optional integral holder (DG)** permits the use of one or two of a number of **Optical Accessories** including lenses and color filters. This option replaces the standard plastic diffuser and includes a complimentary prismatic lens.
- **External reflectors are available in three clear natural aluminum finishes** — semi-specular (C), slightly diffuse (V) or fully diffuse (EC) — as well as champagne gold, black Alzak® or white. Other finishes available on special order.
- **LightCharms® or LightPlate™ decorative trims** may be ordered instead of standard reflectors, see below.
- **Housing is constructed from 14-gauge and 16-gauge electro-zinc steel** in Edison Price Lighting's American factory. Heavy-gauge metals and American manufacturing guarantee long-lasting durability.
- **Luminaire includes a pair of mounting bars** (3/4" x 27" C channel). Specialty bars for wood joists and T-bar installations are also available.
- **For more information, [click here](#).**

APPLICATIONS

Luminaire is listed for Damp Location. Fixture is prewired with an insulation detecting thermal protector. Luminaire is approved for eight #12 wire 90° C branch circuit pull through wiring. Removal of the external reflector allows access to the LED module and junction box.

SPACING REQUIREMENT

The L30S and L30V model of this luminaire must be spaced 30" apart and 15" from walls, and must have 1/2" clearance above housing.

For higher lumen packages and lower pricing, see [FOUR HI CZS DL](#) see [LED FIT DL/4](#)

For lowest pricing, see [VALUE DL/4](#).

For shallower depths and lower pricing, see [WAFER/4 DL](#).

PRODUCT CODE

For complete product code, list basic unit and select one item from each following box.

Basic Unit	
no lens holder; 7 1/4" depth	FH-XTM-4DL
with lens holder; 7 1/2" depth	FH-XTM-4DG

Internal Reflector	
20° initial beamspread	20D
40° initial beamspread	40D
60° initial beamspread	60D

Driver	
dimble to 1% by a 0-10V dimmer on 120 or 277-volt service	DMV
dimble to 5% or 10% (see Light Source Output box below) by either an incandescent or ELV dimmer; 120-volt service only	DMP
eldoLED 0-10V (Logarithmic) driver dimmable to 0.1% with a 0-10V dimmer on 120 or 277-volt service	DVOELG
eldoLED 0-10V (Linear) driver dimmable to 0.1% with a 0-10V dimmer on 120 or 277-volt service	DVOELN
eldoLED driver dimmable to 0.1%, compatible with DAU control system	DA0-EL
Moons' driver dimmable to 0.1%, compatible with DMX controllers	DX0

Light Source Output (Lumens)	
1000L / CRI 98 Artist	DMP (5%) ... L10A
1300L / CRI 98 Artist	DMP (5%) ... L13A
1300L / CRI 80+	DMP (10%) ... L13S
1300L / CRI 80+ Vibrant	3000K only... DMP (10%) ... L13V
1600L / CRI 80+	DMP (5%) ... L16S
1600L / CRI 80+ Vibrant	3000K only... DMP (5%) ... L16V
2100L / CRI 98 Artist	DMP (5%) ... L21A
2100L / CRI 80+	DMP (5%) ... L21S
2100L / CRI 80+ Vibrant	3000K only... DMP (5%) ... L21V
3000L / CRI 80+	see SPACING .. L30S
3000L / CRI 80+ Vibrant	see SPACING .. 3000K only... L30V

Light Color	
2700 K	27K
3000 K	30K
3500 K	35K
4000 K	40K

Voltage	
120 volt service	120
277 volt service	277

External Reflector Color and Detail	<i>Overlap</i>	<i>Trim Flush*</i>
Semi-specular Clear	COL	CTF
Slightly diffuse Clear	VOL	VTF
Fully diffuse Clear	ECOL	ECTF
Champagne Gold	GOL	GTF
Black	BOL	BTF
White	WOL	WTF

Standard reflector flange continues reflector finish. White painted flanges and custom painted flanges are available on special order. Add WF (white flange) or CCF (custom color flange).

*Trim Flush reflector trim requires the use of a **plaster ring** Accessory (see below).

► Reflectors detailed for metal or wood ceilings available on special order.

LightCharms or LightPlate may be ordered instead of the standard reflectors above.

LightCharm Silver Point	LC-SP
LightCharm Opal	LC-O
LightCharm Crystal	LC-C
LightPlate Downlight Spot, white	DP-OL
Custom painted trims for LightPlate are available on special order. Add -CC	

OPTIONS Specify by adding to the basic unit.

Emergency battery pack	
Fixture depth increases to 9"; footprint increases to 17" x 10"	- EM

ACCESSORIES Specify as separate line item.

Plaster ring allows use of 4 7/8" OD Trim Flush (-TF) reflector in sheetrock ceiling. 5 3/16" dia hole required	- TF RING/4
--	-------------

EXTRA REFLECTORS Specify as separate line items.

20° initial beamspread	XTM-REF20-72
40° initial beamspread	XTM-REF40-72
60° initial beamspread	XTM-REF60-70



41-50 22ND STREET, LIC NY 11101 TEL 718.685.0700 FAX 718.786.8530 www.epl.com
U.S. Patent No. US 7,744,256 B2 (June 29, 2010)

©Copyright, Edison Price Lighting 2019

LED 0050 10:19

OPTICAL ACCESSORIES *Specify as separate line*

All are 3 3/4" (95mm) diameter. For use only with the "lens holder" fixture model; see Product Code / Basic Unit above.

prismatic lens (Solite) (included with - DG option)	PLS/3.75
55° spread lens	LENS/3.75
40° x 70° spread lens	LENS/3.75-4070
beam smoother	DIF05/3.75
50% light reduction screen	SCR50/3.75
color filters	
surprise pink	PNK/3.75
daylight blue.....	DAY/3.75
amber	AMB/3.75
blue	BLU/3.75
green	GRN/3.75
red	RED/3.75



Standard reflector shown

LIGHTCHARMS & LIGHTPLATES

LightCharms and LightPlates may be used instead of standard reflectors.

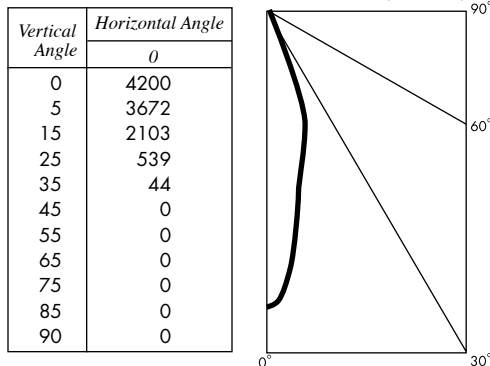


PHOTOMETRIC REPORT (tested per IESNA LM-79-2008)

Prorated from (LTL) Report No. 226175. Original Luminaire Testing Laboratories, Inc. (LTL) test reports furnished upon request.

Luminaire recessed LED round downlight with semi-specular clear aluminum reflector (NO LENS)
 Lamp Xicato XTM 19mm LED with 40° beam spread integral reflector, 3000K CCT, 1600 lumens
 Lamp Life rated 50,000 hours based on L70/B50 criteria. LM80 report by LED manufacturer furnished upon request
 Spacing Criteria 0.5 (0.7 for 60° reflector, 0.4 for 20° reflector)

CANDLEPOWER DISTRIBUTION (Candela)



STANDARD DMV DRIVER INFORMATION *UL Class 2, dry and damp location*

Voltage	120	277
Input Watts (L10A/L13A/L21A/L13S&V/L16S&V/L21S&V/L30S&V lumens)	17/22/30/17/19/25/33	17/22/30/17/19/25/33
Input Current (A) (L10A/L13A/L21A/L13S&V/L16S&V/L21S&V/L30S&V lumens)	.14/.18/.25/.14/.16/.21/.28	.06/.08/.11/.06/.07/.09/.12
Output Current (mA)	500-800	500-800
Min. Power Factor	>0.9	>0.9
Operating Temperature Range (F)	-4 to 122	-4 to 122

ZONAL LUMEN SUMMARY

Zone	Lumens	% Fixture
0 - 30°	1171	96.1
0 - 40°	1218	99.9
0 - 60°	1219	100.0
0 - 90°	1219	100.0
90 -180°	0	0.0
0 -180°	1219	100.0

LIGHT OUTPUT MULTIPLIER

LED Light Engine	Light Output Multiplier	EM Light Output Multiplier (90-minute run)
1000 Lumens Artist	.61*	.32*
1300 Lumens Artist	.81*	.32*
2100 Lumens Artist	1.32*	.35*
1300 Lumens standard & Vibrant	.82*	.33*
1600 Lumens standard & Vibrant	1	.37*
2100 Lumens standard & Vibrant	1.30*	.37*
3000 Lumens standard & Vibrant	1.80*	.35*

*estimated values

LUMINANCE DATA

Vertical Angle	Candelahr ²
45	0
55	0
65	0
75	0
85	0

REFLECTOR COLOR MULTIPLIERS

Semi-specular clear (C)	1
Slightly diffuse clear (V)	.95
Fully diffuse clear (EC)	.88
Champagne gold clear (G)	.95
Black (B)	.49

LUMINAIRE LIGHT OUTPUT AND EFFICACY (40° beam spread integral reflector)

LED Light Engine	Luminaire Light Output	Luminaire Efficacy (lms/watt)	System Wattage	EM Light Output (90 min. run)
1000 Lumens Artist	735*	42*	17	388*
1300 Lumens Artist	984*	46*	22	388*
2100 Lumens Artist	1604*	54*	30	424*
1300 Lumens standard & Vibrant	994*	59*	17	400*
1600 Lumens standard & Vibrant	1219	64	19	448*
2100 Lumens standard & Vibrant	1574*	62*	25	448*
3000 Lumens standard & Vibrant	2176*	65*	33	424*

*estimated values