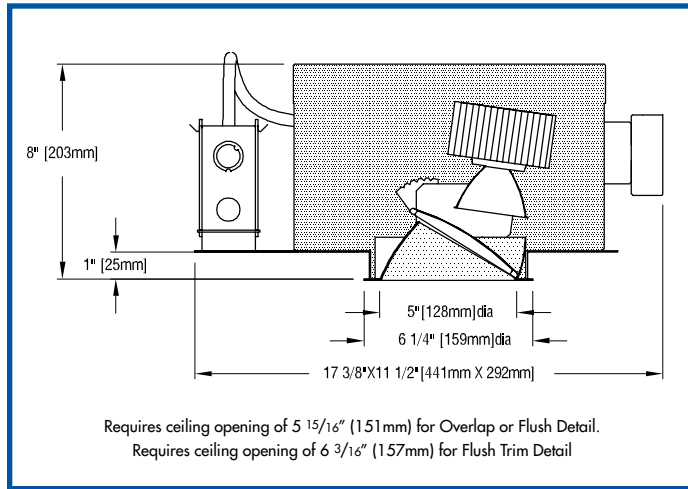


FIVE HI XTM WL

recessed LED wallwasher

PRECISE OPTICS – PRECISE OPTICS – PRECISE OPTICS – PRECISE OPTICS – PRECISE OPTICS – PRECISE OPTICS – PRECISE OPTICS



FEATURES

- FIVE HI XTM WL is a 5" aperture LED wallwasher** powered by one of a number of Xicato 19 mm XTM LED modules, all of which are distinguished by extraordinary color consistency (within 1x2-step MacAdam ellipse). See tables below for wattages and efficacies. Luminaire may be ordered with one of a number of drivers.
- Precise reflectors design provides uniform illumination** on vertical surfaces up to the ceiling line and minimizes aperture brightness. The optical assembly consists of two internal reflectors, a 40° x 70° glass spread lens, and an external trim. Assembly may be rotated 363°, oriented as desired and locked in place.
- An optional Optical Accessories holder** permits the use of one of a number of optical accessories including color filters and screens.
- External reflectors are available in clear natural aluminum finishes** — semi-specular (C), slightly diffuse (V) or fully diffuse (EC) — as well as champagne gold, black Alzak® or white. Other finishes available on special order.
- Housing is constructed from 20-gauge electro-zinc, polyester-coated steel** in Edison Price Lighting's American factory. Heavy-gauge metals and American manufacturing guarantee long-lasting durability.
- Luminaire includes a pair of mounting bars** (3/4" x 27" C channel). Specialty bars for wood joists and T-bar installations are also available.
- For more information, click here.**

APPLICATIONS

Luminaire is listed for Damp Location. Fixture is prewired with an insulation detecting thermal protector. Luminaire approved for eight #12 wire 90° C branch circuit pull through wiring and is suitable for use in a fire rated ceiling. Removal of the external reflector allows access to the LED module and junction box.



SPACING REQUIREMENT

Six models – L27A, L30A, L30S, L30V, L40S and L40V – must be spaced 30" apart (O.C.) and 15" from walls, and must have 1/2" clearance above housing.

For higher lumen packages and lower pricing, see [FIVE HI CZS WL](#).
For lowest pricing, see [VALUE WL/5](#).

PRODUCT CODE

For complete product code, list basic unit and select one item from each following box.

Basic Unit..... FH-XTM-5WL

Driver
 dimmable to 1% by a 0-10V dimmer on 120 or 277-volt service DMV
 dimmable to 5% or 10% (see Light Source Output box below)
 by either an incandescent or EIV dimmer; 120-volt service only DMP
 eidoLED 0-10V (Logarithmic) driver dimmable to 0.1% with a
 0-10V dimmer on 120 or 277-volt service DVOELG
 eidoLED 0-10V (Linear) driver dimmable to 0.1% with a
 0-10V dimmer on 120 or 277-volt service DVOELN
 eidoLED driver dimmable to 0.1%, compatible with DALI control system DAO-EL
 Moons' driver dimmable to 0.1%, compatible with DMX controllers DXO

Light Source Output (Lumens)

1000L / CRI 98 Artist DMP (5%) ...	L10A
1300L / CRI 98 Artist DMP (5%) ...	L13A
1300L / CRI 80+ DMP (10%) ...	L13S
1300L / CRI 80+ Vibrant 3000K only..... DMP (10%) ...	L13V
1600L / CRI 80+ DMP (5%) ...	L16S
1600L / CRI 80+ Vibrant 3000K only..... DMP (5%) ...	L16V
2100L / CRI 98 Artist DMP (5%) ...	L21A
2100L / CRI 80+ DMP (5%) ...	L21S
2100L / CRI 80+ Vibrant 3000K only..... DMP (5%) ...	L21V
2700L / CRI 98 Artistsee SPACING	L27A
3000L / CRI 98 Artistsee SPACING	L30A
3000L / CRI 80+see SPACING	L30S
3000L / CRI 80+ Vibrantsee SPACING ... 3000K only.....	L30V
4000L / CRI 80+see SPACING	L40S
4000L / CRI 80+ Vibrantsee SPACING ... 3000K only.....	L40V

Light Color

2700 K	27K
3000 K.....	30K
3500 K	35K
4000 K.....	40K

Voltage

120 volt service	- 120
277 volt service	- 277

Reflector Color and Detail

	Overlap	Trim Flush*
Semi-specular Clear	COL	CTF
Slightly diffuse Clear	VOL	VTF
Fully diffuse Clear	ECOL	ECTF
Champagne Gold	GOL	GTF
Black	BOL	BTF
White	WOL	WTF

Standard reflector flange continues reflector finish. White painted flanges and custom painted flanges are available on special order. Add WF (white flange) or CCF (custom color flange).

*Trim Flush reflector trim requires the use of a **plaster ring** Accessory (see below).

▶ Reflectors detailed for metal or wood ceilings available on special order.

OPTIONS Specify by adding to the basic unit.

Remote emergency battery pack including two components – battery pack and plate with test switch and light – to be mounted adjacent to fixture; for use in accessible ceilings..... - RX

ACCESSORIES Specify as separate line item.

holder for Optical Accessory XTM/5 OA HLDR
Plaster ring allows use of 5 7/8" OD Trim Flush (TF)
 reflector in sheetrock ceiling; 6 3/16" dia hole required.....TF RING/5

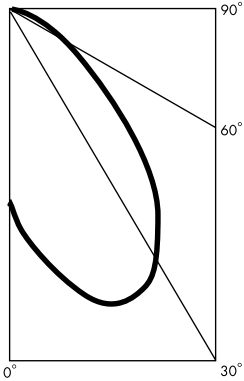


PHOTOMETRIC REPORT (tested per IESNA LM-79-2008)

(LTL) Report No. 226115. Original Luminaire Testing Laboratories, Inc. (LTL) test reports furnished upon request.

Luminaire recessed LED round lensed wallwasher with semi-specular clear aluminum reflector
 Lamp Xicato 19mm XTM LED with 60° beam spread integral reflector, 3000K CCT, 3000 lumens
 Lamp Life rated 50,000 hours based on L70/B50 criteria. LM80 report by LED manufacturer furnished upon request

CANDLEPOWER DISTRIBUTION (Candela)



WALLWASH INFORMATION

Distance From Ceiling (Feet)	3' From Wall; 3' O.C.		3' 6" From Wall; 3' 6" O.C.		4' From Wall; 3' 6" O.C.	
	Below Fixture	Between Fixtures	Below Fixture	Between Fixtures	Below Fixture	Between Fixtures
1	19	16	12	10	9	9
2	32	24	20	16	15	13
3	40	36	28	24	22	19
4	39	37	30	28	25	24
5	33	32	27	26	25	24
6	26	26	24	23	23	23
7	21	21	19	19	20	20
8	17	17	16	16	17	17
9	14	14	13	13	14	14
10	11	11	11	11	12	12
11			9	9	10	10
12					9	9

All vertical footcandles are initial values with no contribution from ceiling or floor reflectances. Computation performed with a total of ten wallwashers.

LUMINAIRE LIGHT OUTPUT AND EFFICACY

LED Light Engine	Luminaire Light Output	Luminaire Efficacy (lms/watt)	System Wattage	RM Light Output (90 min. run)
1000 Lumens Artist	456*	26*	17	240*
1300 Lumens Artist	607*	28*	22	240*
2100 Lumens Artist	990*	34*	30	262*
2700 Lumens Artist	1202*	31*	38	262*
3000 Lumens Artist	1308*	31*	43	262*
1300 Lumens standard & Vibrant	615*	37*	17	247*
1600 Lumens standard & Vibrant	750*	39*	19	277*
2100 Lumens standard & Vibrant	972*	38*	25	277*
3000 Lumens standard & Vibrant	1350	40	33	262*
4000 Lumens standard & Vibrant	1690*	38*	45	262*

*estimated values

LIGHT OUTPUT MULTIPLIER

LED Light Engine	Light Output Multiplier	REM Light Output Multiplier (90-minute run)
1000 Lumens Artist	.34*	.18*
1300 Lumens Artist	.45*	.18*
2100 Lumens Artist	.74*	.19*
2700 Lumens Artist	.89*	.19*
3000 Lumens Artist	.97*	.19*
1300 Lumens standard & Vibrant	.46*	.18*
1600 Lumens standard & Vibrant	.56*	.21*
2100 Lumens standard & Vibrant	.72*	.21*
3000 Lumens standard & Vibrant	1	.19*
4000 Lumens standard & Vibrant	1.25*	.19*

*estimated values

STANDARD DMV DRIVER INFORMATION *UL Class 2, dry and damp location*

Voltage	120	277
Input Watts (L10A/L13A/L21A/L27A/L30A/L13S&V/L16S&V/L21S&V/L30S&V/L40S&V lumens)	17/22/30/38/43/17/19/25/33/45	17/22/30/38/43/17/19/25/33/45
Input Current (A) (L10A/L13A/L21A/L27A/L30A/L13S&V/L16S&V/L21S&V/L30S&V/L40S&V lumens)	.14/.18/.25/.32/.36/.14/.16/.21/.28/.38	.06/.08/.11/.14/.16/.06/.07/.09/.12/.16
Output Current (mA)	500-1100	500-1100
Min. Power Factor	>0.9	>0.9
Operating Temperature Range (F)	-4 to 122	-4 to 122

REFLECTOR COLOR MULTIPLIERS

Semi-specular clear (C)	1
Slightly diffuse clear (V)	.95
Fully diffuse clear (EC)	.88
Champagne gold clear (G)	.95
Black (B)	.49