



## NEON

### FREE SERIES MODULE FEATURES

**Flexible Dimensions:**

Length 39 3/8" / 98 7/16", suitable for various installations

**Material:**

Constructed from AL6063-T5 with a spraying surface and black coating (RAL9005)

**High Efficiency:**

Light efficiency of 70LM/W, ensuring bright and energy-efficient illumination

**Lighting Direction:**

360° round lighting direction for comprehensive illumination

**Versatile CCT Options:**

Available in 3000K, 3500K, and 4000K

**Durable Finish:**

IP20 rating, suitable for indoor environments

**Easy Installation:**

Designed for track mounting

### DESCRIPTION

The Free Series Track-Mounted Rigid Neon LED Module combines sleek design with high performance, making it ideal for decorative indoor lighting applications. Featuring a durable AL6063-T5 construction and high CRI, it provides vibrant and uniform illumination with versatile CCT options.

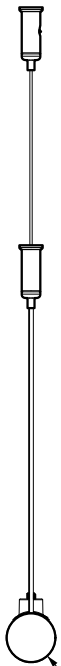
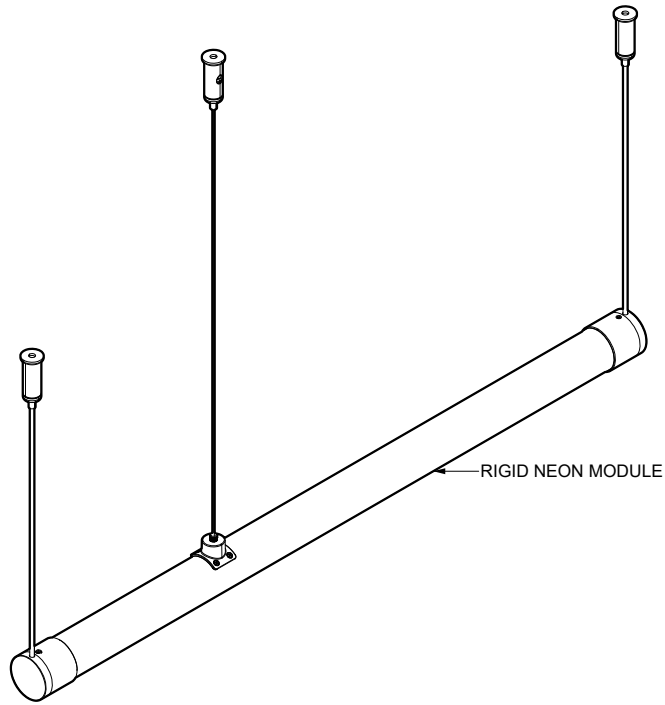
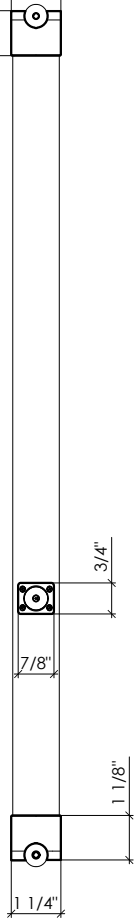
### SPECIFICATIONS DATA

Lumens	2340 / 940
Size(s)	Ø 1-1/8' x 39, 98"
Finish(es)	Black
Driver(s)	0-10V, DALI-2, Tuya, CASAMBI
Input Voltage	48V
Beam Angle	360°
CRI	>90
CCT	27K, 30K, 35K, 40K
Power (W)	35 / 14

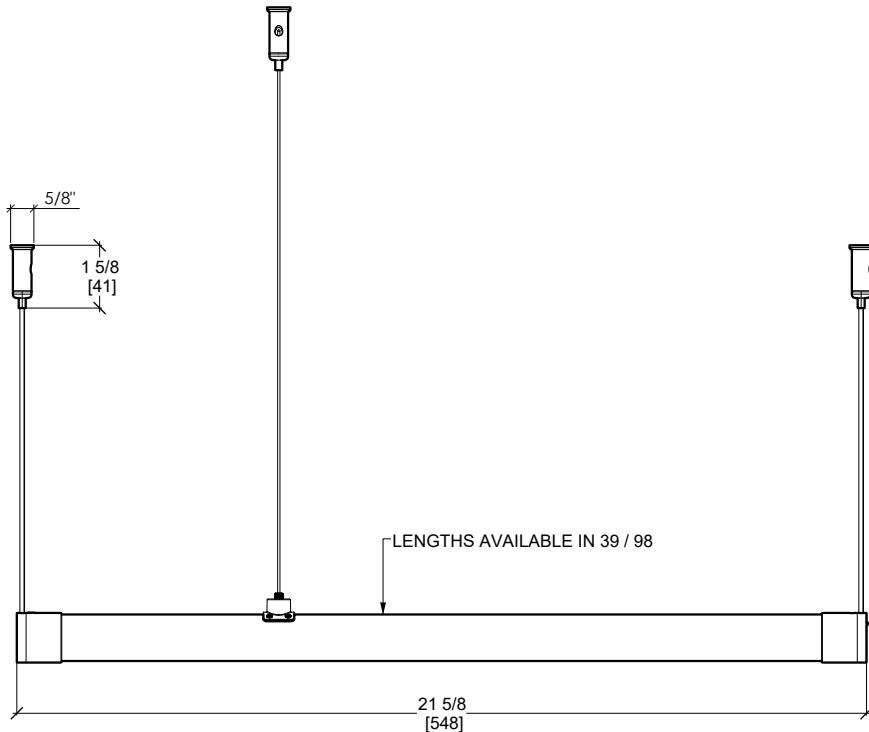
### TRACK MODULE ORDERING GUIDE

Basic Unit	Beam Angle	Driver	Voltage	Lumens	CCT	CRI	Finish		
<b>FR-504-3</b> 39" Rigid Neon Linear	<b>360D</b> 360° Distribution	<b>DIM10</b> 0-10V Dimming	<b>48</b> 48VDC	<b>2340L</b> 2340 lumens	<b>27K</b> 2700K	<b>90</b>	<b>BK</b> Black Finish, Black Housing		
<b>FR-504-8</b> 98" Rigid Neon Linear		<b>BLE-CASAMBI</b> Bluetooth Low Energy Casambi						<b>940L</b> 940 lumens	<b>30K</b> 3000K
		<b>DALI-2</b>							<b>35K</b> 3500K
		<b>TUY</b> TUYA			<b>40K</b> 4000K				

1 1/8  
[29]



Ø1 1/4  
[31]



SCALE  
1:4.875

DWG: N.C.  
7/29/2024 12:13