



NEON

FREE SERIES MODULE FEATURES

Flexible Dimensions:

Length 39 3/8", 98 7/16", 196 7/8" (optional), adaptable for various installations

Material:

Constructed from AL6063-T5 with a spraying surface and black coating (RAL9005)

High Efficiency:

Light efficiency of 70LM/W, ensuring bright and energy-efficient illumination

Lighting Direction:

360° round lighting direction for comprehensive illumination

Versatile CCT Options:

Available in 3000K, 3500K, and 4000K

Durable Finish:

IP20 rating, suitable for indoor environments

Easy Installation

DESCRIPTION

The Free Series Track-Mounted Neon LED Module offers a blend of modern design and high performance, perfect for decorative indoor lighting applications. Made from durable AL6063-T5 with a sleek black finish, it provides vibrant and uniform illumination in versatile CCT options.

SPECIFICATIONS DATA

Lumens	4770 / 2340 / 940
Size(s)	Ø 1-1/8' x 39, 98, 197"
Finish(es)	Black
Driver(s)	0-10V, DALI-2, Tuya, CASAMBI
Input Voltage	48V
Beam Angle	360°
CRI	>90
CCT	27K, 30K, 35K, 40K
Power (W)	70 / 35 / 14

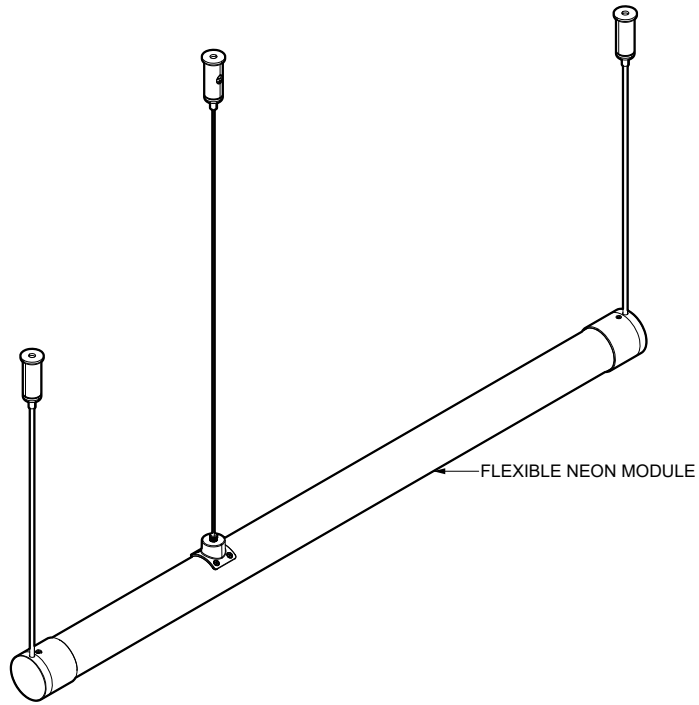
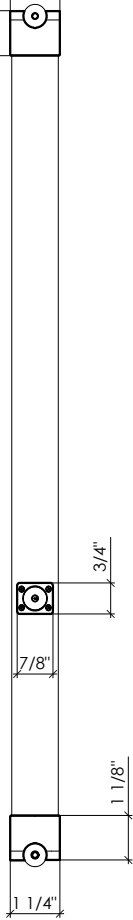
TRACK MODULE ORDERING GUIDE

Basic Unit	Beam Angle	Driver	Voltage	Lumens	CCT	CRI	Finish
FR-604-3 39" Flexible Neon Linear	360D 360° Distribution	DIM10 0-10V Dimming	48 48VDC	4770L 4770 lumens	27K 2700K	90	BK Black Finish, Black Housing
FR-604-8 98" Flexible Neon Linear		BLE-CASAMBI Bluetooth Low Energy Casambi		2340L 2340 lumens	30K 3000K		
FR-604-16 197" Flexible Neon Linear		DALI-2		940L 940 lumens	35K 3500K		
		TUY TUYA			40K 4000K		

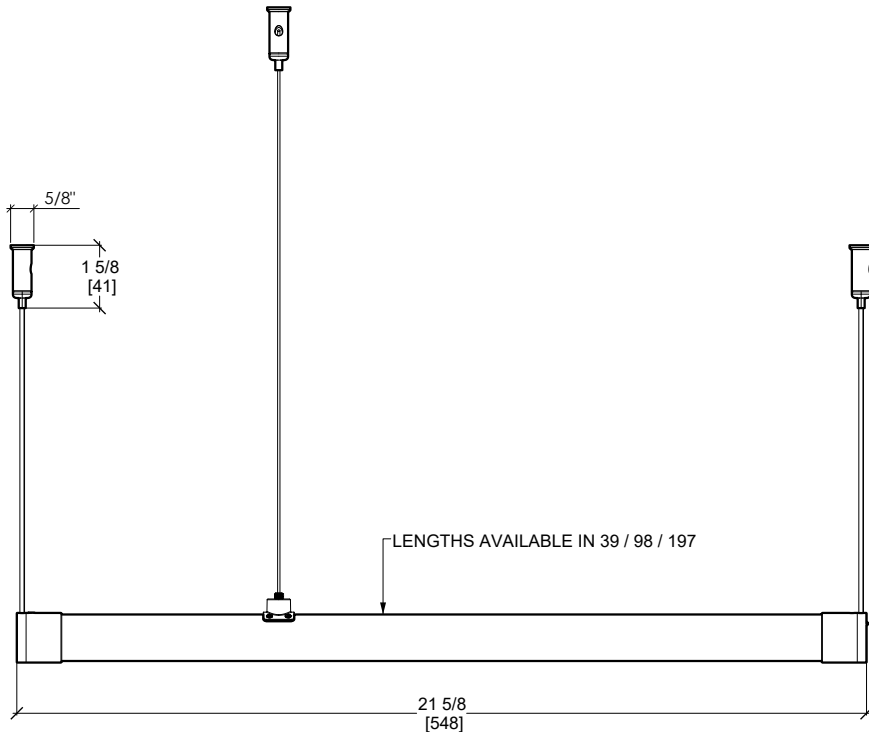
FLEXIBLE



1 1/8
[29]



Ø1 1/4
[31]



SCALE
1:4.875

DWG: N.C.
7/29/2024 12:13