

TRACK HEAD (TH)
MODULES

TRACK HEADS

48V NEO-TRACK FREE SERIES

EDISON PRICE LIGHTING
LOS ANGELES | NEW YORK

All rights reserved. © Edison Price Lighting 2023
Due to continuous product improvements, specifications and dimensions are subject to change without notice.
Consult www.epl.com for most current technical information.

LINEAR | MODULES | SPOTLIGHTS | CYLINDERS | NEON

TH



Ø1.18" Spotlight Module

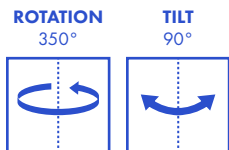
DESCRIPTION

The captivating and fluid description of the Neon track system unfolds as an array of possibilities. It presents itself in two enticing forms: suspended and surface-mounted versions, both of which offer an exquisite blend of functionality and aesthetics. With its ability to gracefully rotate horizontally, this track system showcases its versatility.

One of the system's standout features is the diverse selection of linear modules, including the diffuser, prismatic, spotlight, downlight, and neon strip. These modules, acting as artistic building blocks, can be freely combined to unlock a myriad of applications. By cleverly intertwining the track and the neon strip module, a symphony of styles and expressions can be crafted, offering a limitless canvas for creative minds.

FEATURES

- i. Neon track system available in suspended and surface-mounted versions
- ii. Horizontal rotation capability for enhanced versatility
- iii. Diverse linear module options:
- iv. Diffuser, Prismatic, Spotlight, Downlight, and Neon Strips
- v. Modules can be easily combined for limitless applications
- vi. Creative matching of track and neon strip module for captivating stylings
- vii. Operates on a sleek 48VDC power supply
- viii. Compact design with a small and exquisite 1.18" diameter
- ix. High-quality aluminum construction ensures durability and longevity



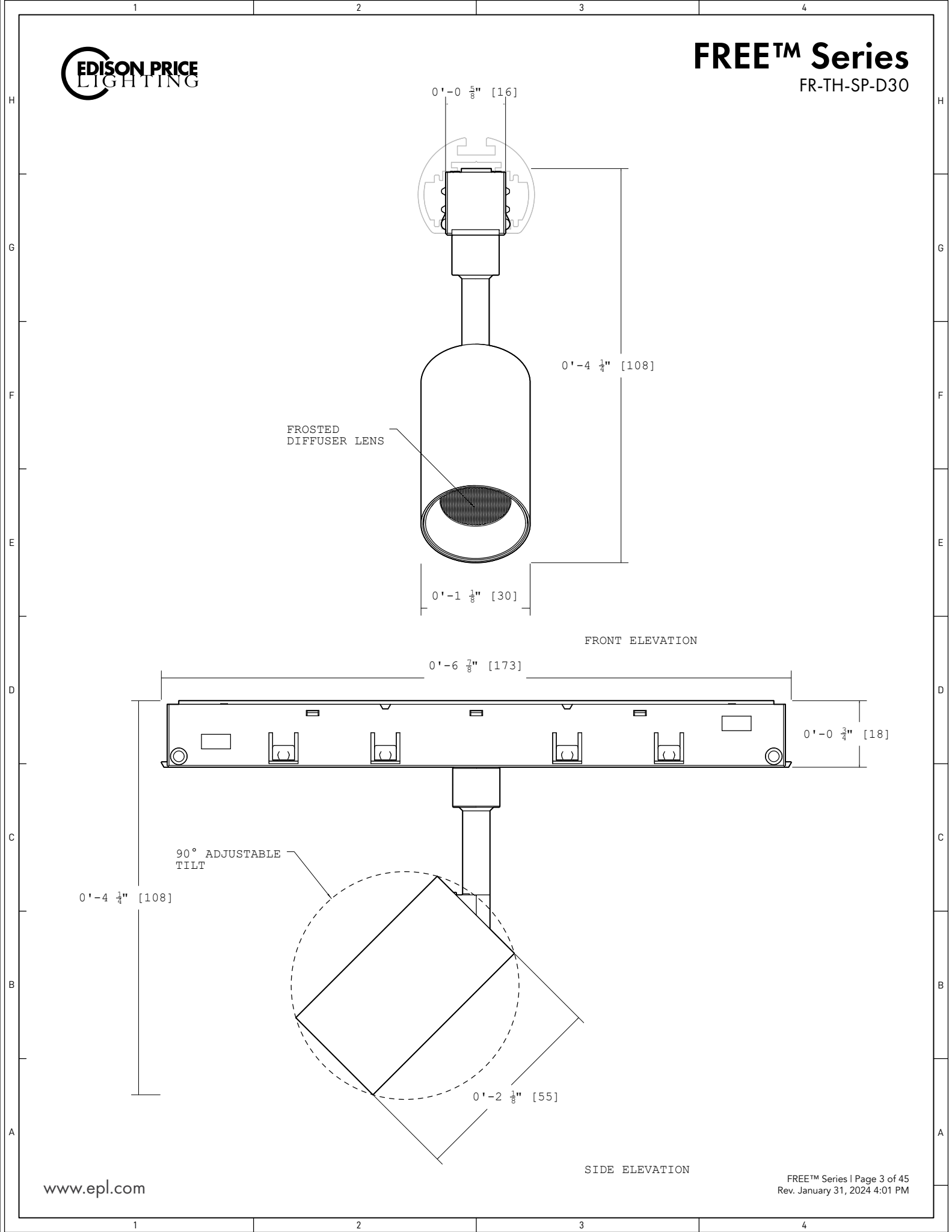
SPECS

Size	8.66" x 1" x 1.18"
Diffuser	Diffuse
Lumens	230
Typical Power	3W
CCT	3000K, 3500K, 4000K
CRI	90+
Beam Angle	24°, 36°
Dimming + Controls	Non-Dimming, DALI-2, TUYA, CASAMBI
Finish	Black

TRACK HEAD ORDERING GUIDE

EX: FR-TH-SP-D30-24-DF-220-35K-90-BK-DALI-2

SERIES	MODULE	DIAMETER-BEAM	DIFFUSER	HEIGHT	CCT	CRI	FINISH	DIMMING
FR-TH FREE Series Track Head Module	SP Spotlight Module	D30-24	DF Diffuser	220 8.66" [8½"]	27K	90	BK Black	NONDIM DALI-2 TUYA CASAMBI
		Ø1.18", 24° Beam			2700K			
		D30-36			30K			
		Ø1.18", 36° Beam			3000K			
					35K			
	3500K							
					40K			
					4000K			





Ø1.65" Spotlight Module

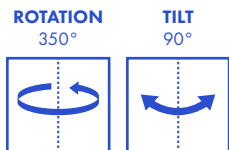
DESCRIPTION

The captivating and fluid description of the Neon track system unfolds as an array of possibilities. It presents itself in two enticing forms: suspended and surface-mounted versions, both of which offer an exquisite blend of functionality and aesthetics. With its ability to gracefully rotate horizontally, this track system showcases its versatility.

One of the system's standout features is the diverse selection of linear modules, including the diffuser, prismatic, spotlight, downlight, and neon strip. These modules, acting as artistic building blocks, can be freely combined to unlock a myriad of applications. By cleverly intertwining the track and the neon strip module, a symphony of styles and expressions can be crafted, offering a limitless canvas for creative minds.

FEATURES

- i. Neon track system available in suspended and surface-mounted versions
- ii. Horizontal rotation capability for enhanced versatility
- iii. Diverse linear module options:
- iv. Diffuser, Prismatic, Spotlight, Downlight, and Neon Strips
- v. Modules can be easily combined for limitless applications
- vi. Creative matching of track and neon strip module for captivating stylings
- vii. Operates on a sleek 48VDC power supply
- viii. Compact design with a small and exquisite 1.18" diameter
- ix. High-quality aluminum construction ensures durability and longevity



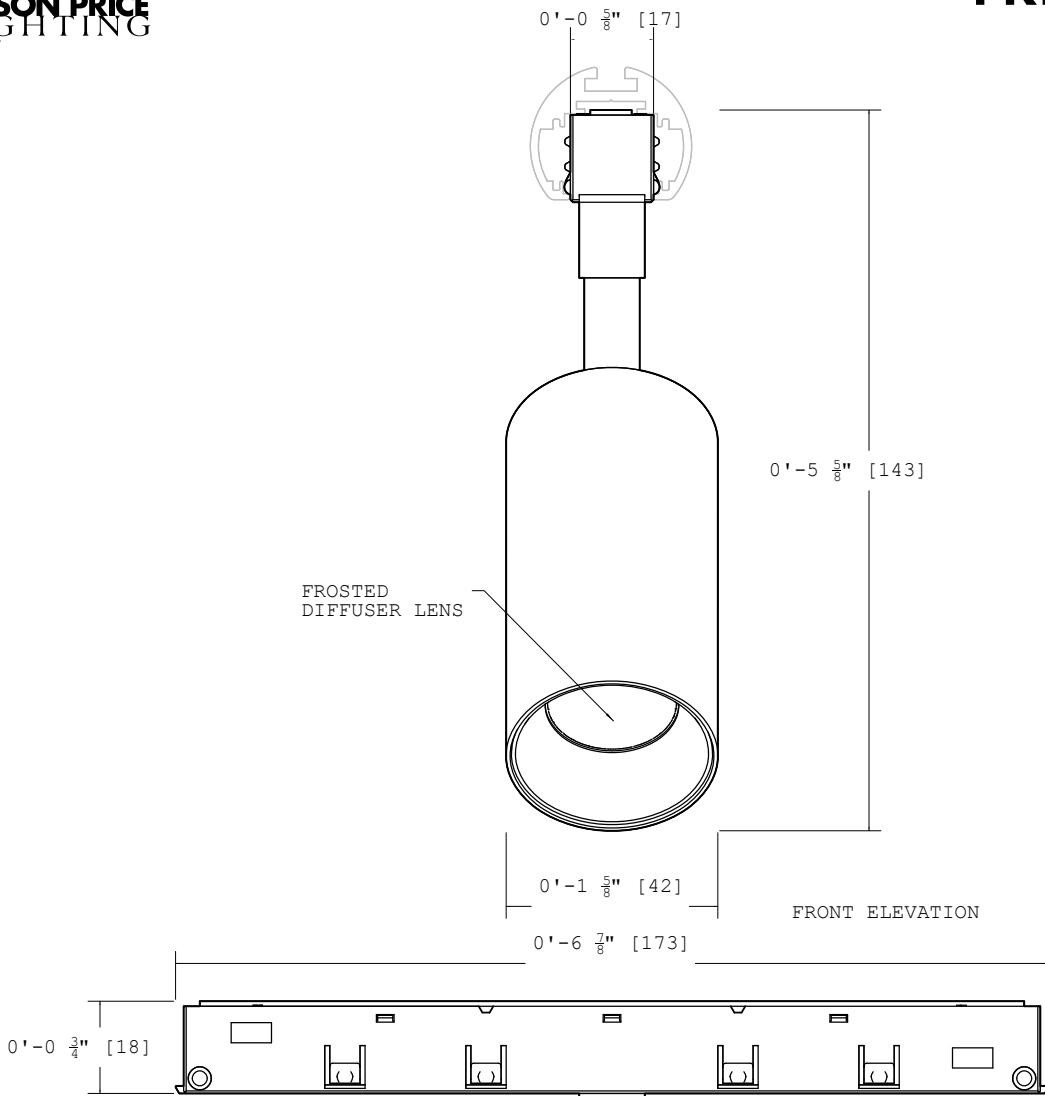
SPECS

Size	8.66" x 2.68" x 1.65"
Diffuser	Diffuse
Lumens	500
Typical Power	6W
CCT	2700K, 3000K, 3500K, 4000K
CRI	90+
Beam Angle	24°, 36°
Dimming + Controls	Non-Dimming, DALI-2, TUYA, CASAMBI
Finish	Black

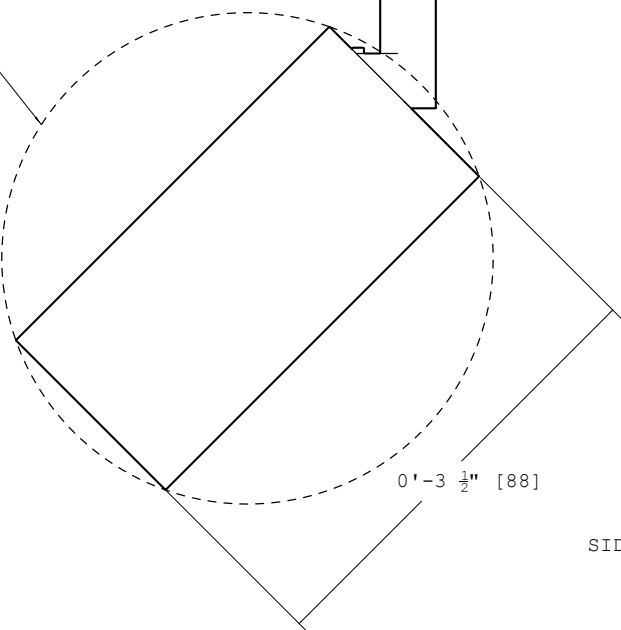
TRACK HEAD ORDERING GUIDE

EX: FR-TH-SP-D42-36-DF-220-30K-90-BK-DALI-2

SERIES	MODULE	DIAMETER-BEAM	DIFFUSER	HEIGHT	CCT	CRI	FINISH	DIMMING
FR-TH FREE Series Track Head Module	SP Spotlight Module	D42-24 Ø1.65", 24° Beam D42-36 Ø1.65", 36° Beam	DF Diffuser	220 8.66" [8½"]	27K 2700K 30K 3000K 35K 3500K 40K 4000K	90	BK Black	NONDIM DALI-2 TUYA CASAMBI



90° ADJUSTABLE TILT





Ø2.05" Spotlight Module

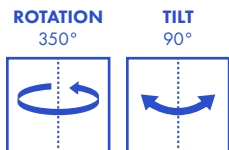
DESCRIPTION

The captivating and fluid description of the Neon track system unfolds as an array of possibilities. It presents itself in two enticing forms: suspended and surface-mounted versions, both of which offer an exquisite blend of functionality and aesthetics. With its ability to gracefully rotate horizontally, this track system showcases its versatility.

One of the system's standout features is the diverse selection of linear modules, including the diffuser, prismatic, spotlight, downlight, and neon strip. These modules, acting as artistic building blocks, can be freely combined to unlock a myriad of applications. By cleverly intertwining the track and the neon strip module, a symphony of styles and expressions can be crafted, offering a limitless canvas for creative minds.

FEATURES

- i. Neon track system available in suspended and surface-mounted versions
- ii. Horizontal rotation capability for enhanced versatility
- iii. Diverse linear module options:
- iv. Diffuser, Prismatic, Spotlight, Downlight, and Neon Strips
- v. Modules can be easily combined for limitless applications
- vi. Creative matching of track and neon strip module for captivating stylings
- vii. Operates on a sleek 48VDC power supply
- viii. Compact design with a small and exquisite 1.18" diameter
- ix. High-quality aluminum construction ensures durability and longevity



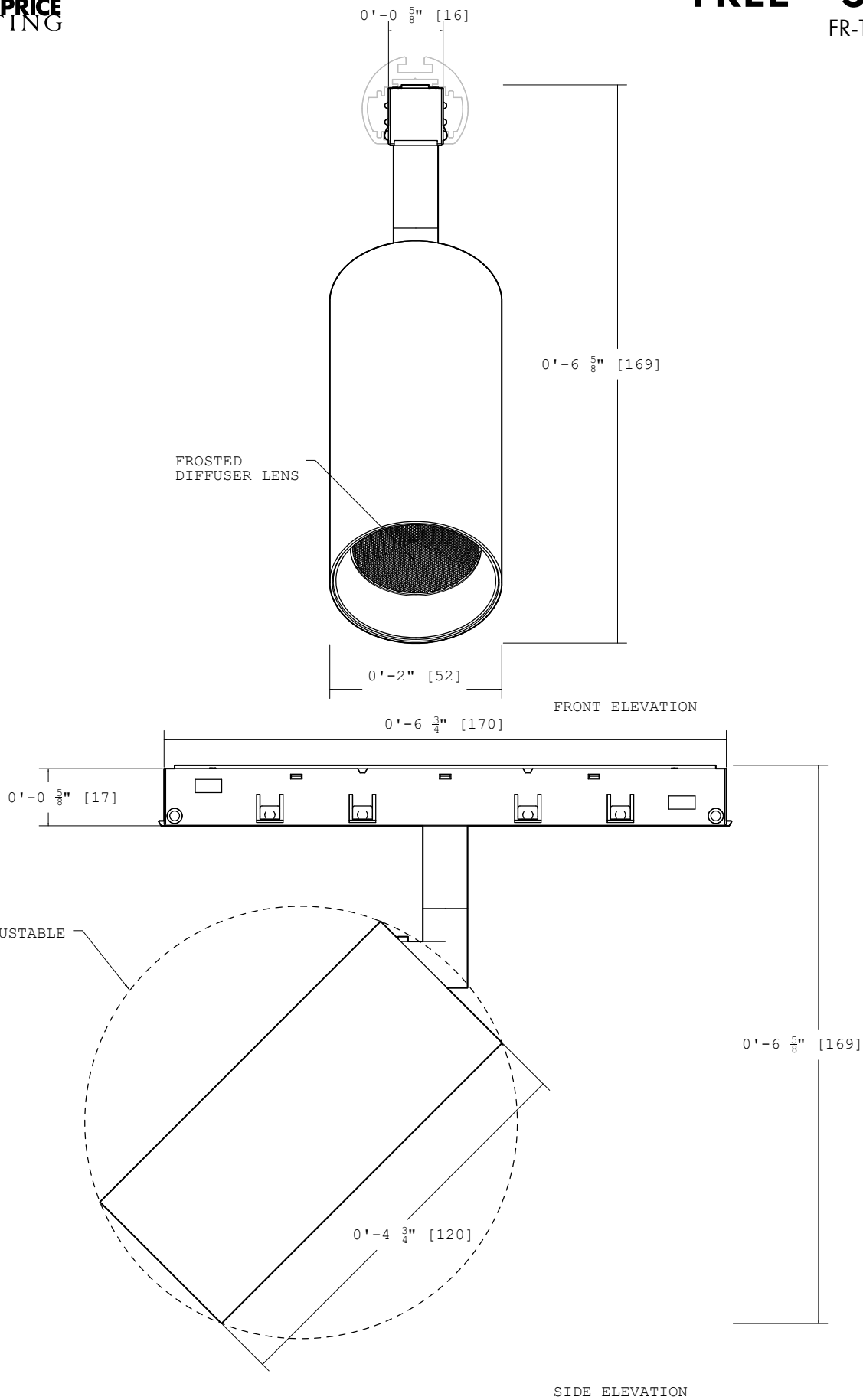
SPECS

Size	8.66" x 3.74" x 2.05"
Diffuser	Diffuse
Lumens	850
Typical Power	10W
CCT	2700K, 3000K, 3500K, 4000K
CRI	90+
Beam Angle	24°, 36°
Dimming + Controls	Non-Dimming, DALI-2, TUYA, CASAMBI
Finish	Black

TRACK HEAD ORDERING GUIDE

EX: FR-TH-SP-D52-36-DF-220-30K-90-BK-DALI-2

SERIES	MODULE TYPE	DIAMETER-BEAM	DIFFUSER	HEIGHT	CCT	CRI	FINISH	DIMMING
FR-TH FREE Series Track Head Module	SP Spotlight Module	D52-24 Ø2.05", 24° Beam	DF Diffuser	220 8.66" [8½"]	27K 2700K	90	BK Black	NONDIM DALI-2 TUYA CASAMBI
		D52-36 Ø2.05", 36° Beam			30K 3000K 35K 3500K 40K 4000K			





Ø2.44" Spotlight Module

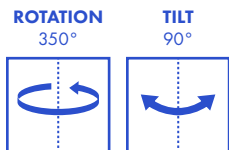
DESCRIPTION

The captivating and fluid description of the Neon track system unfolds as an array of possibilities. It presents itself in two enticing forms: suspended and surface-mounted versions, both of which offer an exquisite blend of functionality and aesthetics. With its ability to gracefully rotate horizontally, this track system showcases its versatility.

One of the system's standout features is the diverse selection of linear modules, including the diffuser, prismatic, spotlight, downlight, and neon strip. These modules, acting as artistic building blocks, can be freely combined to unlock a myriad of applications. By cleverly intertwining the track and the neon strip module, a symphony of styles and expressions can be crafted, offering a limitless canvas for creative minds.

FEATURES

- i. Neon track system available in suspended and surface-mounted versions
- ii. Horizontal rotation capability for enhanced versatility
- iii. Diverse linear module options:
- iv. Diffuser, Prismatic, Spotlight, Downlight, and Neon Strips
- v. Modules can be easily combined for limitless applications
- vi. Creative matching of track and neon strip module for captivating stylings
- vii. Operates on a sleek 48VDC power supply
- viii. Compact design with a small and exquisite 1.18" diameter
- ix. High-quality aluminum construction ensures durability and longevity



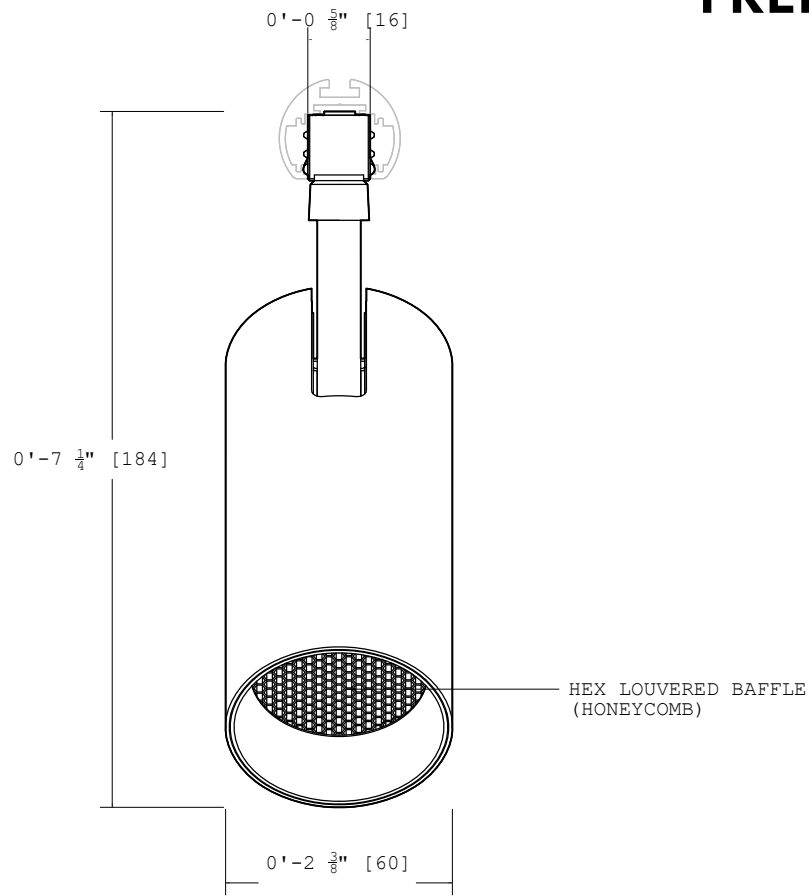
SPECS

Size	8.66" x 5.71" x 2.44"
Diffuser	Diffuse
Lumens	1050
Typical Power	15W
CCT	2700K, 3000K, 3500K, 4000K
CRI	90+
Beam Angle	24°, 36°
Dimming + Controls	Non-Dimming, DALI-2, TUYA, CASAMBI
Finish	Black

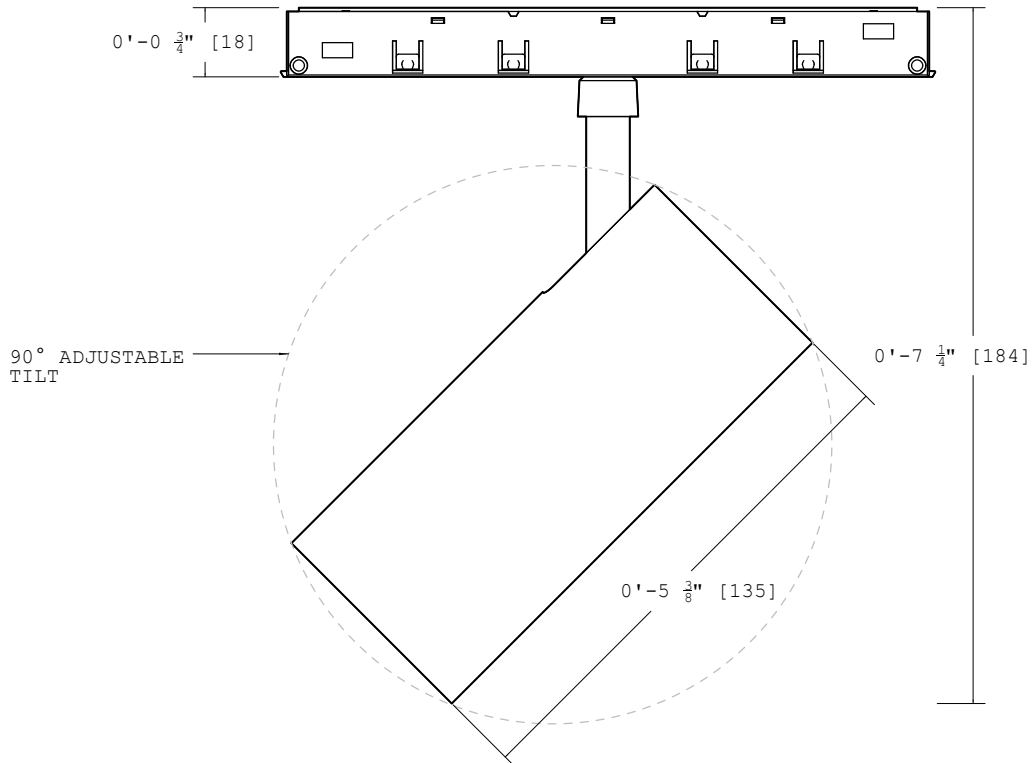
TRACK HEAD ORDERING GUIDE

EX: FR-TH-SP-D62-36-220-30K-90-BK-DALI-2

SERIES	MODULE	DIAMETER-BEAM	DIFFUSER	HEIGHT	CCT	CRI	FINISH	DIMMING
FR-TH FREE Series Track Head Module	SP Spotlight Module	D62-24	DF Diffuser	220 8.66" [8½"]	30K	90	BK Black	NONDIM DALI-2 TUYA CASAMBI
		D62-36			3000K			
		Ø2.44", 24° Beam			35K			
		Ø2.44", 36° Beam			40K			
					4000K			



FRONT ELEVATION



SIDE ELEVATION



Ø1.77" Zoomable Spotlight Module

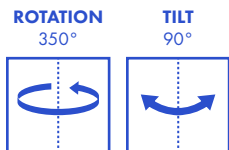
DESCRIPTION

The captivating and fluid description of the Neon track system unfolds as an array of possibilities. It presents itself in two enticing forms: suspended and surface-mounted versions, both of which offer an exquisite blend of functionality and aesthetics. With its ability to gracefully rotate horizontally, this track system showcases its versatility.

One of the system's standout features is the diverse selection of linear modules, including the diffuser, prismatic, spotlight, downlight, and neon strip. These modules, acting as artistic building blocks, can be freely combined to unlock a myriad of applications. By cleverly intertwining the track and the neon strip module, a symphony of styles and expressions can be crafted, offering a limitless canvas for creative minds.

FEATURES

- i. Neon track system available in suspended and surface-mounted versions
- ii. Horizontal rotation capability for enhanced versatility
- iii. Diverse linear module options:
- iv. Diffuser, Prismatic, Spotlight, Downlight, and Neon Strips
- v. Modules can be easily combined for limitless applications
- vi. Creative matching of track and neon strip module for captivating stylings
- vii. Operates on a sleek 48VDC power supply
- viii. Compact design with a small and exquisite 1.18" diameter
- ix. High-quality aluminum construction ensures durability and longevity



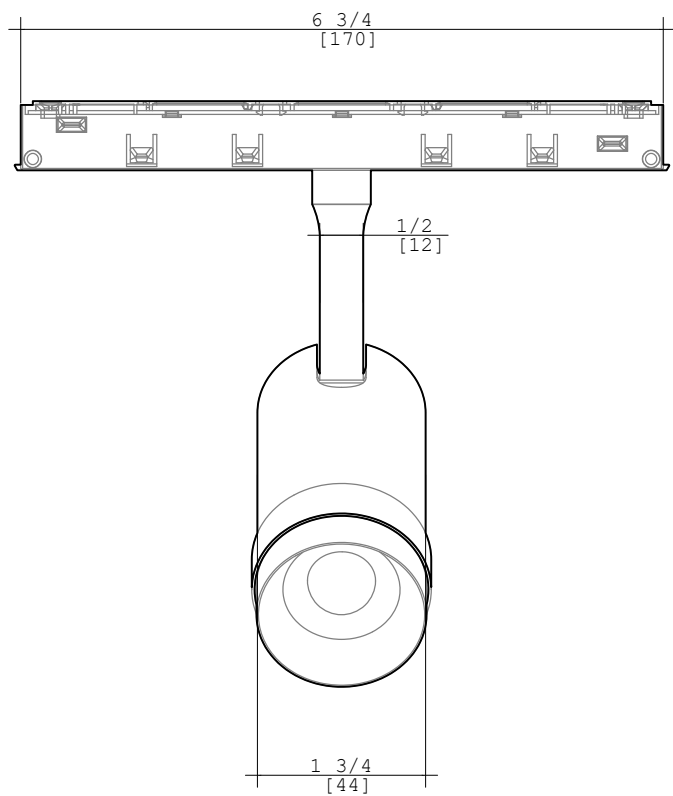
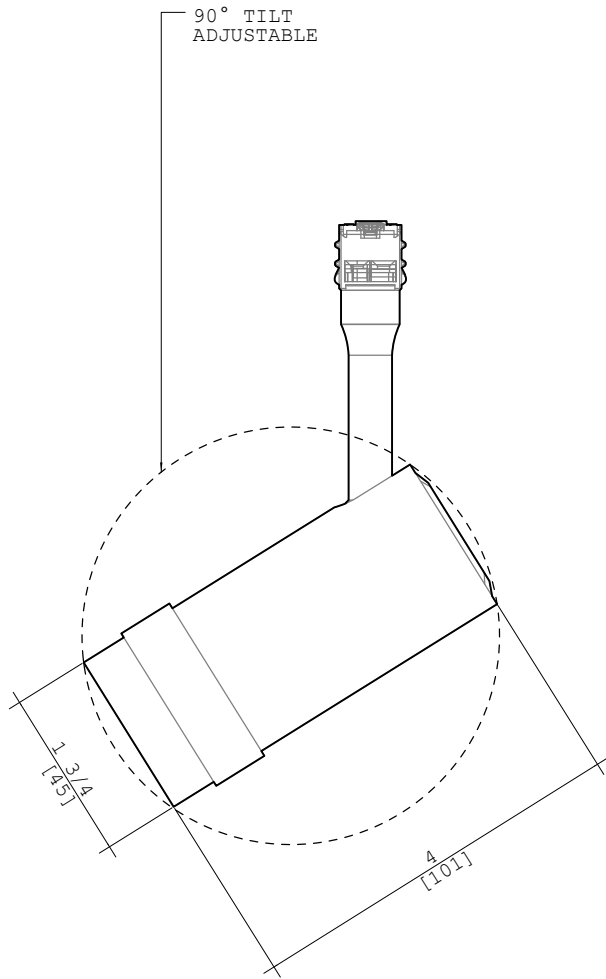
SPECS

Size (Diameter)	Ø1.77", Ø2.17", Ø2.56"
Diffuser	Diffuse
Lumens	240 lm (45), 485 lm (55), 680 lm (65)
Typical Power	5W (45), 8W (55), 12W (65)
CCT	2700K, 3000K, 3500K, 4000K
CRI	90+
Beam Angle	12°-50° (45), 15°-40° (55), 15°-36° (65)
Dimming + Controls	Non-Dimming, DALI-2, TUYA, CASAMBI
Finish	Black

TRACK HEAD ORDERING GUIDE

EX: FR-TH-SP-ZM45-DF-35K-90-BK-DALI-2

SERIES	MODULE	DIAMETER	DIFFUSER	CCT	CRI	FINISH	DIMMING
FR-TH FREE Series Track Head Module	SP Spotlight Module	ZM45	DF Diffuse Lens	27K	90	BK Black	NONDIM DALI-2 TUYA CASAMBI
		Ø 1.77" Zoom Spot		2700K			
		ZM55		30K			
		Ø 2.17" Zoom Spot		3000K			
ZM65	35K	3500K					
Ø 2.56" Zoom Spot	40K	4000K					



TRACK HEAD (TH)
MODULES

LINEAR.
FREE SERIES



LN

DESCRIPTION

The captivating and fluid description of the Neon track system unfolds as an array of possibilities. It presents itself in two enticing forms: suspended and surface-mounted versions, both of which offer an exquisite blend of functionality and aesthetics. With its ability to gracefully rotate horizontally, this track system showcases its versatility.

One of the system's standout features is the diverse selection of linear modules, including the diffuser, prismatic, spotlight, downlight, and neon strip. These modules, acting as artistic building blocks, can be freely combined to unlock a myriad of applications. By cleverly intertwining the track and the neon strip module, a symphony of styles and expressions can be crafted, offering a limitless canvas for creative minds.



Linear Module, Frosted Diffuser

FEATURES

- i. Neon track system available in suspended and surface-mounted versions
- ii. Horizontal rotation capability for enhanced versatility
- iii. Diverse linear module options:
- iv. Diffuser, Prismatic, Spotlight, Downlight, and Neon Strips
- v. Modules can be easily combined for limitless applications
- vi. Creative matching of track and neon strip module for captivating stylings
- vii. Operates on a sleek 48VDC power supply
- viii. Compact design with a small and exquisite 1.18" diameter
- ix. High-quality aluminum construction ensures durability and longevity

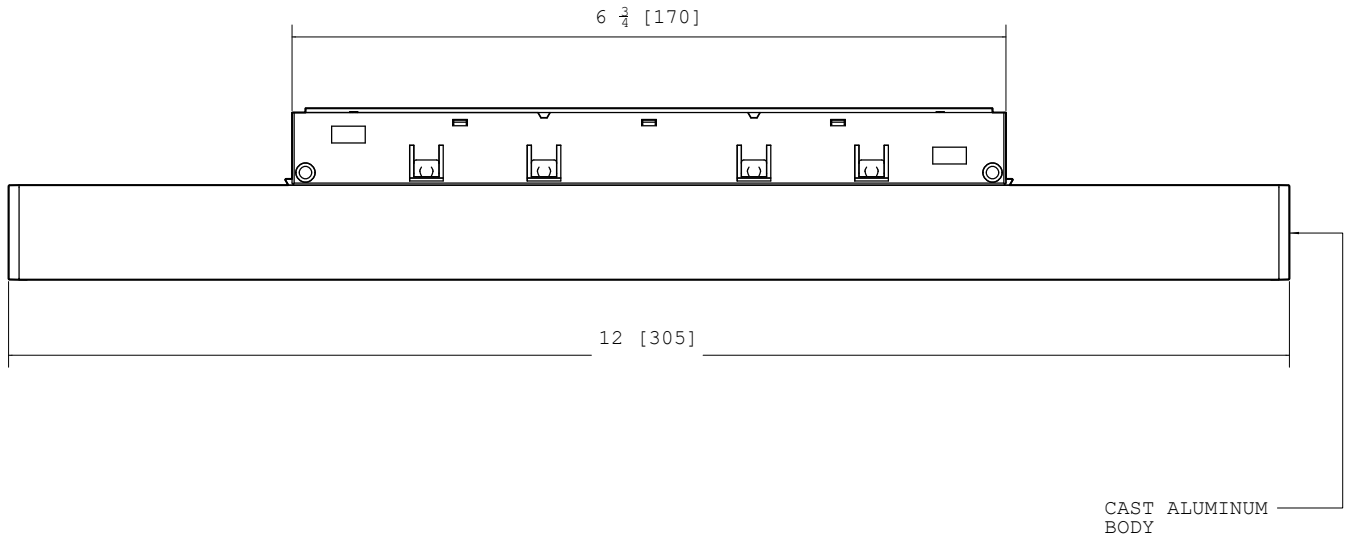
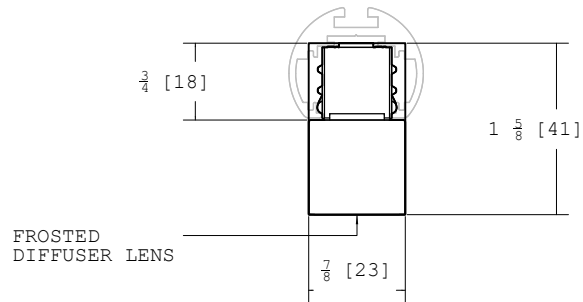
SPECS

Size	19.92" x 1" x 1.61"
Diffuser	Frosted Diffuser
Lumens	830
Typical Power	10W
CCT	2700K, 3000K, 3500K, 4000K
CRI	90+
Beam Angle	100°
Dimming + Controls	Non-Dimming, DALI-2, TUYA, CASAMBI
Finish	Black

TRACK HEAD ORDERING GUIDE

EX: FR-TH-LN-25-DF-506-30K-90-BK

SERIES	MODULE	SECTION	DIFFUSER	LENGTH	CCT	CRI	FINISH	DIMMING
FR-TH FREE Series Track Head Module	LN Linear Module	25 1" x 1"	DF Diffuser	506 19.92" [20"]	27K 2700K 30K 3000K 35K 3500K 40K 4000K	90	BK Black	NONDIM DALI-2 TUYA CASAMBI





Linear Module, Prismatic Lens

DESCRIPTION

The captivating and fluid description of the Neon track system unfolds as an array of possibilities. It presents itself in two enticing forms: suspended and surface-mounted versions, both of which offer an exquisite blend of functionality and aesthetics. With its ability to gracefully rotate horizontally, this track system showcases its versatility.

One of the system's standout features is the diverse selection of linear modules, including the diffuser, prismatic, spotlight, downlight, and neon strip. These modules, acting as artistic building blocks, can be freely combined to unlock a myriad of applications. By cleverly intertwining the track and the neon strip module, a symphony of styles and expressions can be crafted, offering a limitless canvas for creative minds.

FEATURES

- i. Neon track system available in suspended and surface-mounted versions
- ii. Horizontal rotation capability for enhanced versatility
- iii. Diverse linear module options:
- iv. Diffuser, Prismatic, Spotlight, Downlight, and Neon Strips
- v. Modules can be easily combined for limitless applications
- vi. Creative matching of track and neon strip module for captivating stylings
- vii. Operates on a sleek 48VDC power supply
- viii. Compact design with a small and exquisite 1.18" diameter
- ix. High-quality aluminum construction ensures durability and longevity

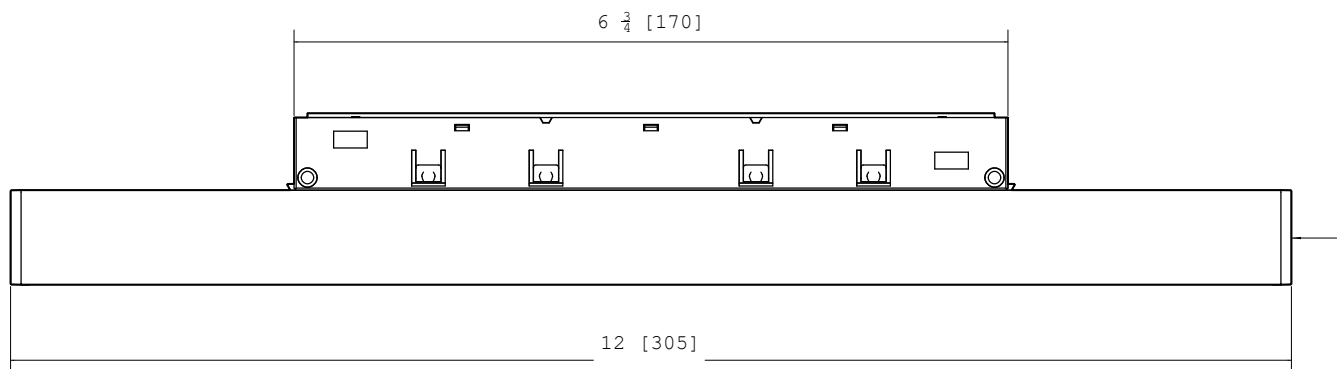
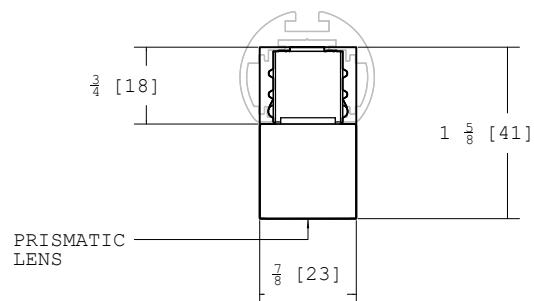
SPECS

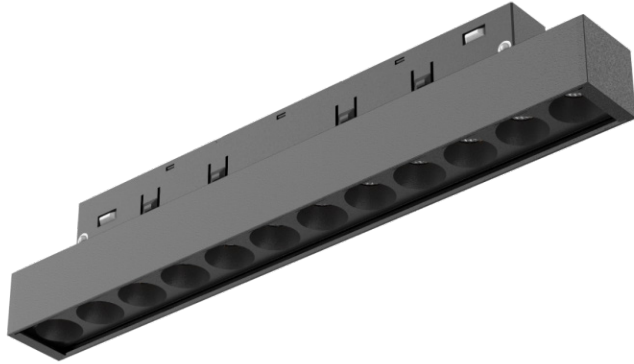
Size	19.92" x 1" x 1.61"
Diffuser	Prismatic
Lumens	830
Typical Power	10W
CCT	2700K, 3000K, 3500K, 4000K
CRI	90+
Beam Angle	90°
Dimming + Controls	Non-Dimming, DALI-2, TUYA, CASAMBI
Finish	Black

TRACK HEAD ORDERING GUIDE

EX: FR-TH-LN-25-PR-506-30K-90-BK

SERIES	MODULE	SECTION	DIFFUSER	LENGTH	CCT	CRI	FINISH	DIMMING
FR-TH FREE Series Track Head Module	LN Linear Module	25 1" x 1"	PR Prismatic	506 19.92" [20"]	27K 2700K 30K 3000K 35K 3500K 40K 4000K	90	BK Black	NONDIM DALI-2 TUYA CASAMBI





Linear Module, Grating 30°/60°

DESCRIPTION

The captivating and fluid description of the Neon track system unfolds as an array of possibilities. It presents itself in two enticing forms: suspended and surface-mounted versions, both of which offer an exquisite blend of functionality and aesthetics. With its ability to gracefully rotate horizontally, this track system showcases its versatility.

One of the system's standout features is the diverse selection of linear modules, including the diffuser, prismatic, spotlight, downlight, and neon strip. These modules, acting as artistic building blocks, can be freely combined to unlock a myriad of applications. By cleverly intertwining the track and the neon strip module, a symphony of styles and expressions can be crafted, offering a limitless canvas for creative minds.

FEATURES

- i. Neon track system available in suspended and surface-mounted versions
- ii. Horizontal rotation capability for enhanced versatility
- iii. Diverse linear module options:
- iv. Diffuser, Prismatic, Spotlight, Downlight, and Neon Strips
- v. Modules can be easily combined for limitless applications
- vi. Creative matching of track and neon strip module for captivating stylings
- vii. Operates on a sleek 48VDC power supply
- viii. Compact design with a small and exquisite 1.18" diameter
- ix. High-quality aluminum construction ensures durability and longevity

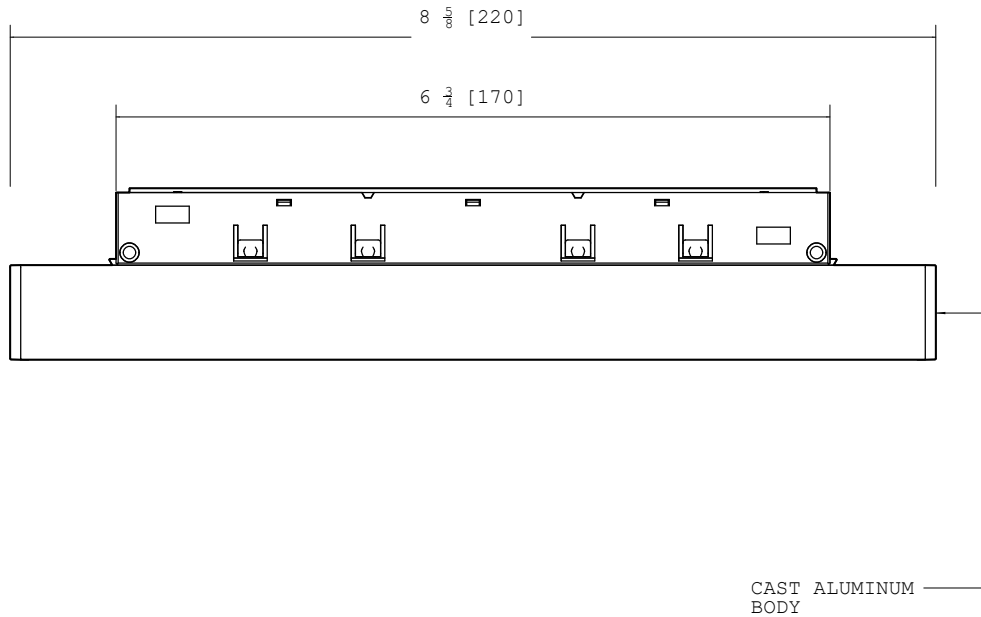
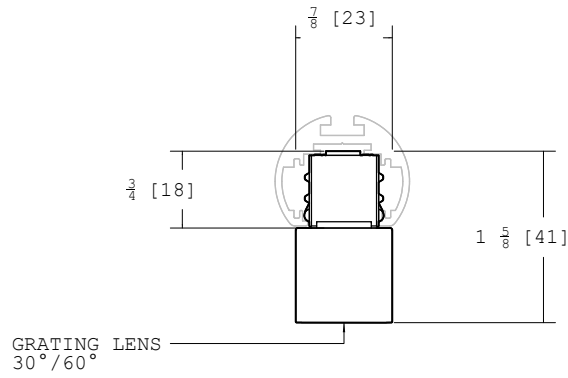
SPECS

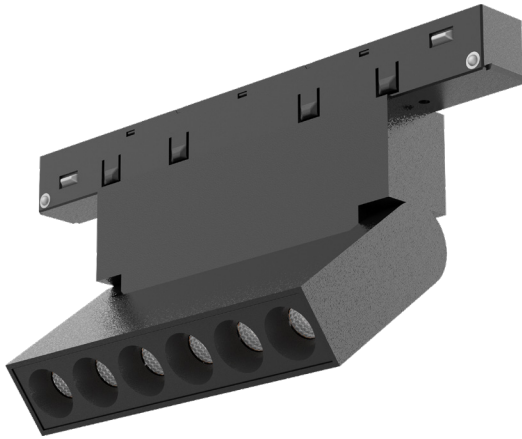
Size	19.09" x 1" x 1.61"
Diffuser	Grating
Lumens	750/570
Typical Power	8W
CCT	2700K, 3000K, 3500K, 4000K
CRI	90+
Beam Angle	30°/60°
Dimming + Controls	Non-Dimming, DALI-2, TUYA, CASAMBI
Finish	Black

TRACK HEAD ORDERING GUIDE

EX: FR-TH-LN-25-GR30-506-30K-90-BK-DALI-2

SERIES	MODULE	SECTION	DIFFUSER	LENGTH	CCT	CRI	FINISH	DIMMING
FR-TH FREE Series Track Head Module	LN Linear Module	25 1" x 1"	GR30 Grating 30° GR60 Grating 60°	506 19.92" [20"]	27K 2700K 30K 3000K 35K 3500K 40K 4000K	90	BK Black	NONDIM DALI-2 TUYA CASAMBI





Linear Module, Grating 30°/60°

DESCRIPTION

The captivating and fluid description of the Neon track system unfolds as an array of possibilities. It presents itself in two enticing forms: suspended and surface-mounted versions, both of which offer an exquisite blend of functionality and aesthetics. With its ability to gracefully rotate horizontally, this track system showcases its versatility.

One of the system's standout features is the diverse selection of linear modules, including the diffuser, prismatic, spotlight, downlight, and neon strip. These modules, acting as artistic building blocks, can be freely combined to unlock a myriad of applications. By cleverly intertwining the track and the neon strip module, a symphony of styles and expressions can be crafted, offering a limitless canvas for creative minds.

FEATURES

- i. Neon track system available in suspended and surface-mounted versions
- ii. Horizontal rotation capability for enhanced versatility
- iii. Diverse linear module options:
- iv. Diffuser, Prismatic, Spotlight, Downlight, and Neon Strips
- v. Modules can be easily combined for limitless applications
- vi. Creative matching of track and neon strip module for captivating stylings
- vii. Operates on a sleek 48VDC power supply
- viii. Compact design with a small and exquisite 1.18" diameter
- ix. High-quality aluminum construction ensures durability and longevity



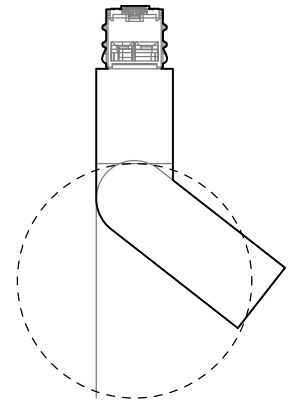
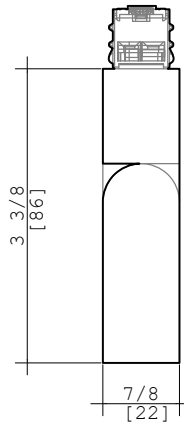
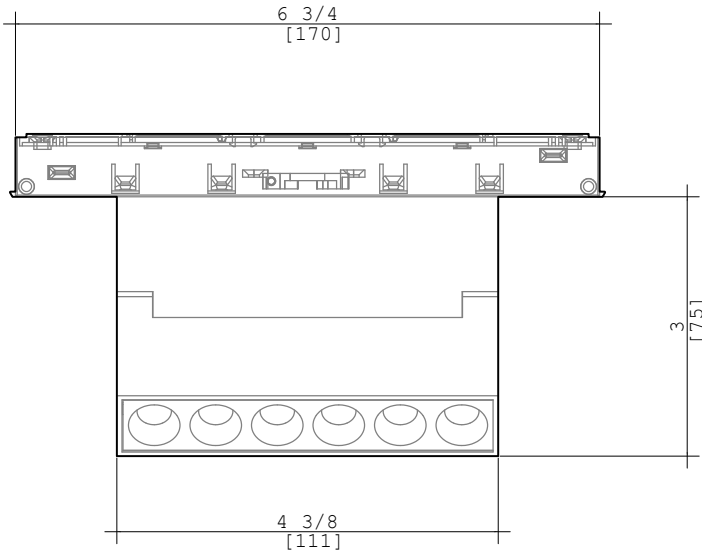
SPECS

Size	4.33" x 0.87" x 4.09" (6) 8.66" x 0.87" x 4.09" (12)
Diffuser	Multi-Cell Diffuse
Lumens	400 lm (6), 765 lm (12)
Typical Power	6W (6), 12W (12)
CCT	2700K, 3000K, 3500K, 4000K
CRI	90+
Beam Angle	30°, 40°
Dimming + Controls	Non-Dimming, DALI-2, TUYA, CASAMBI
Finish	Black

TRACK HEAD ORDERING GUIDE

EX: FR-TH-MC-6-35K-90-BK-DALI-2

SERIES	MODULE	MODEL	DIFFUSER	CCT	CRI	FINISH	DIMMING
FR-TH FREE Series Track Head Module	LN Linear Module	MC Multi-Cell	6 6-Cell Module	27K 2700K	90	BK Black	NONDIM DALI-2 TUYA CASAMBI
			12 12-Cell Module	30K 3000K 35K 3500K 40K 4000K			





Linear Module, Asymmetric Lens

DESCRIPTION

The captivating and fluid description of the Neon track system unfolds as an array of possibilities. It presents itself in two enticing forms: suspended and surface-mounted versions, both of which offer an exquisite blend of functionality and aesthetics. With its ability to gracefully rotate horizontally, this track system showcases its versatility.

One of the system's standout features is the diverse selection of linear modules, including the diffuser, prismatic, spotlight, downlight, and neon strip. These modules, acting as artistic building blocks, can be freely combined to unlock a myriad of applications. By cleverly intertwining the track and the neon strip module, a symphony of styles and expressions can be crafted, offering a limitless canvas for creative minds.

FEATURES

- i. Neon track system available in suspended and surface-mounted versions
- ii. Horizontal rotation capability for enhanced versatility
- iii. Diverse linear module options:
- iv. Diffuser, Prismatic, Spotlight, Downlight, and Neon Strips
- v. Modules can be easily combined for limitless applications
- vi. Creative matching of track and neon strip module for captivating stylings
- vii. Operates on a sleek 48VDC power supply
- viii. Compact design with a small and exquisite 1.18" diameter
- ix. High-quality aluminum construction ensures durability and longevity

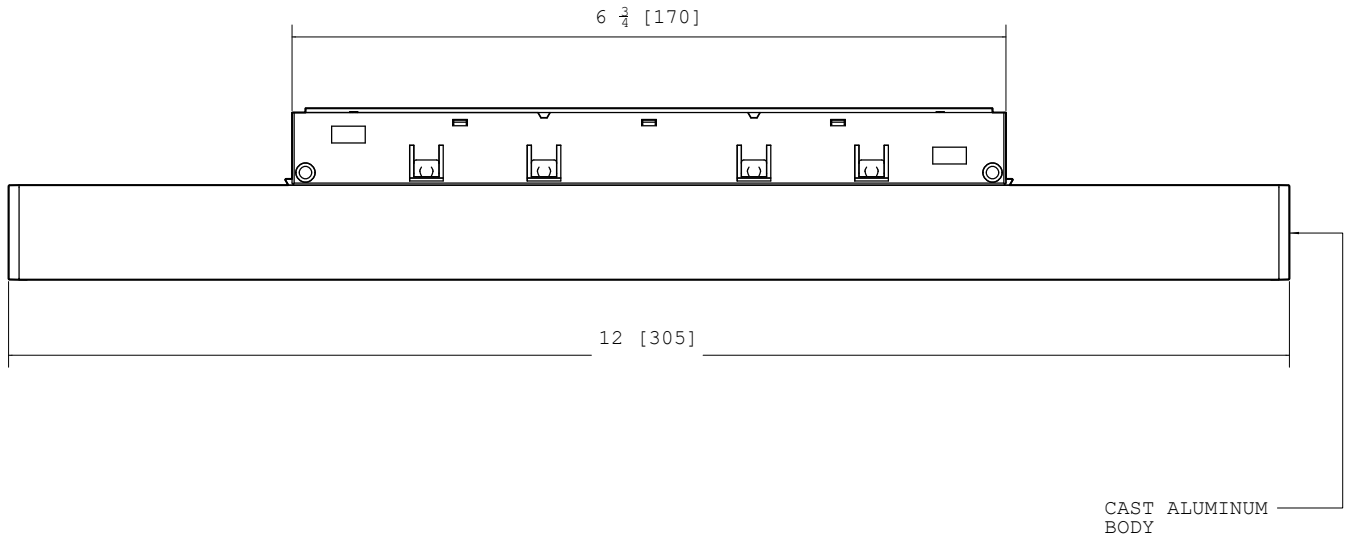
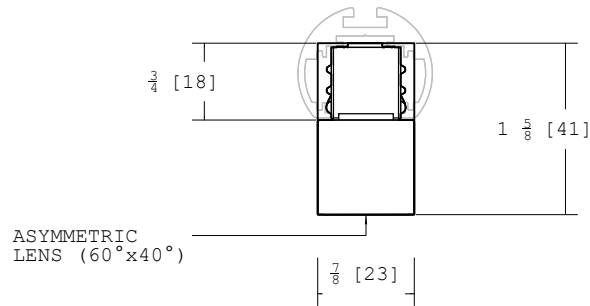
SPECS

Size	19.92" x 1" x 1.61"
Diffuser	Asymmetric
Lumens	990
Typical Power	10W
CCT	2700K, 3000K, 3500K, 4000K
CRI	90+
Beam Angle	60° x 40° (ASYM: 20°)
Dimming + Controls	Non-Dimming, DALI-2, TUYA, CASAMBI
Finish	Black

TRACK HEAD ORDERING GUIDE

EX: FR-TH-LN-25-ASYM-506-30K-90-BK-DALI-2

SERIES	MODULE	SECTION	DIFFUSER	LENGTH	CCT	CRI	FINISH	DIMMING
FR-TH FREE Series Track Head Module	LN Linear Module	25 1" x 1"	ASYM Asymmetric	506 19.92" [20"]	30K 3000K 35K 3500K 40K 4000K	90	BK Black	NONDIM DALI-2 TUYA CASAMBI



DESCRIPTION

The captivating and fluid description of the Neon track system unfolds as an array of possibilities. It presents itself in two enticing forms: suspended and surface-mounted versions, both of which offer an exquisite blend of functionality and aesthetics. With its ability to gracefully rotate horizontally, this track system showcases its versatility.

One of the system's standout features is the diverse selection of linear modules, including the diffuser, prismatic, spotlight, downlight, and neon strip. These modules, acting as artistic building blocks, can be freely combined to unlock a myriad of applications. By cleverly intertwining the track and the neon strip module, a symphony of styles and expressions can be crafted, offering a limitless canvas for creative minds.



Linear Module, Double Asymmetric Lens

FEATURES

- i. Neon track system available in suspended and surface-mounted versions
- ii. Horizontal rotation capability for enhanced versatility
- iii. Diverse linear module options:
- iv. Diffuser, Prismatic, Spotlight, Downlight, and Neon Strips
- v. Modules can be easily combined for limitless applications
- vi. Creative matching of track and neon strip module for captivating stylings
- vii. Operates on a sleek 48VDC power supply
- viii. Compact design with a small and exquisite 1.18" diameter
- ix. High-quality aluminum construction ensures durability and longevity

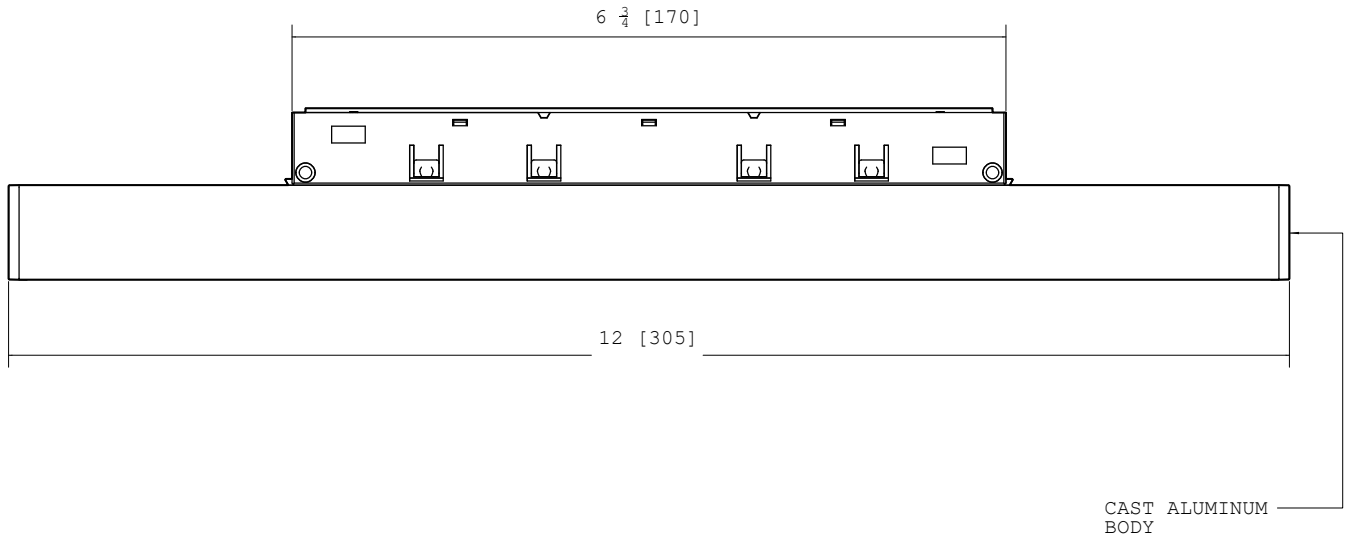
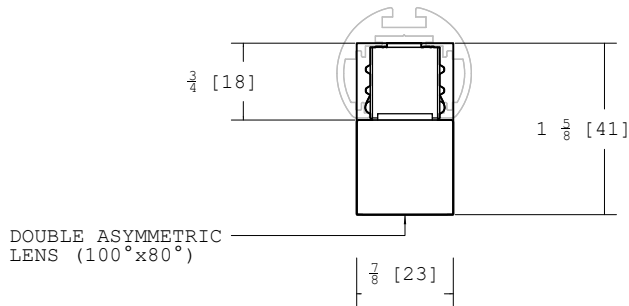
SPECS

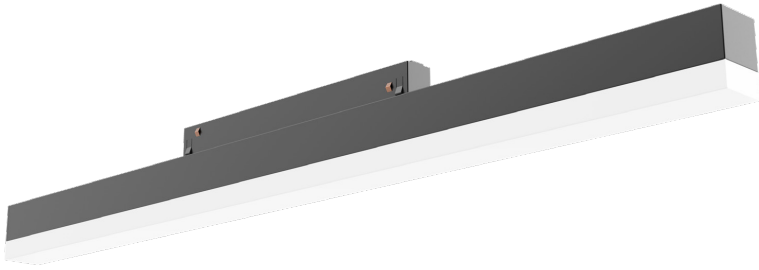
Size	19.92" x 1" x 1.61"
Diffuser	Double Asymmetric
Lumens	980
Typical Power	10W
CCT	2700K, 3000K, 3500K, 4000K
CRI	90+
Beam Angle	100° x 80°
Dimming + Controls	Non-Dimming, DALI-2, TUYA, CASAMBI
Finish	Black

TRACK HEAD ORDERING GUIDE

EX: FR-TH-LN-25-DASYM-506-30K-90-BK-DALI-2

SERIES	MODULE	SECTION	DIFFUSER	LENGTH	CCT	CRI	FINISH	DIMMING
FR-TH FREE Series Track Head Module	LN Linear Module	25 1" x 1"	DASYM Asymmetric	506 19.92" [20"]	30K 3000K 35K 3500K 40K 4000K	90	BK Black	NONDIM DALI-2 TUYA CASAMBI





Linear Module, Block Frosted Diffuser

DESCRIPTION

The captivating and fluid description of the Neon track system unfolds as an array of possibilities. It presents itself in two enticing forms: suspended and surface-mounted versions, both of which offer an exquisite blend of functionality and aesthetics. With its ability to gracefully rotate horizontally, this track system showcases its versatility.

One of the system's standout features is the diverse selection of linear modules, including the diffuser, prismatic, spotlight, downlight, and neon strip. These modules, acting as artistic building blocks, can be freely combined to unlock a myriad of applications. By cleverly intertwining the track and the neon strip module, a symphony of styles and expressions can be crafted, offering a limitless canvas for creative minds.

FEATURES

- i. Neon track system available in suspended and surface-mounted versions
- ii. Horizontal rotation capability for enhanced versatility
- iii. Diverse linear module options:
- iv. Diffuser, Prismatic, Spotlight, Downlight, and Neon Strips
- v. Modules can be easily combined for limitless applications
- vi. Creative matching of track and neon strip module for captivating stylings
- vii. Operates on a sleek 48VDC power supply
- viii. Compact design with a small and exquisite 1.18" diameter
- ix. High-quality aluminum construction ensures durability and longevity

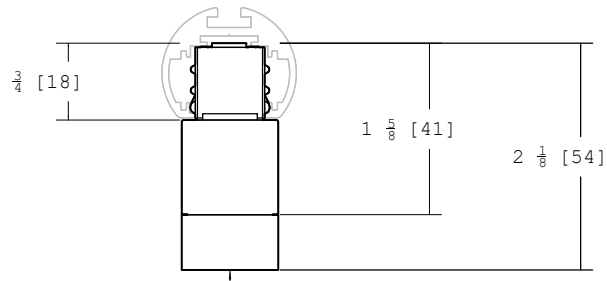
SPECS

Size	19.92" x 1" x 1.61"
Diffuser	Block Frosted Diffuser
Lumens	750
Typical Power	10W
CCT	2700K, 3000K, 3500K, 4000K
CRI	90+
Beam Angle	140°
Dimming + Controls	Non-Dimming, DALI-2, TUYA, CASAMBI
Finish	Black

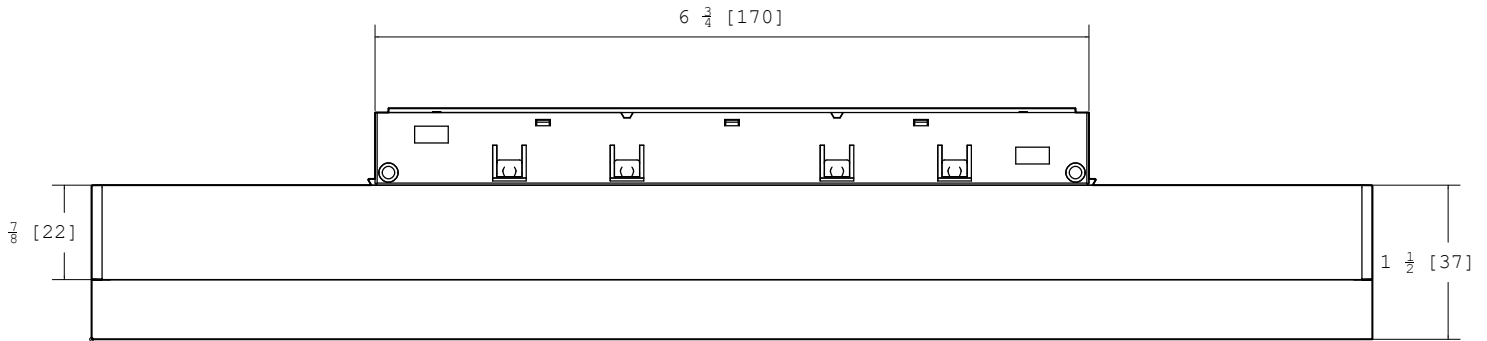
TRACK HEAD ORDERING GUIDE

EX: FR-TH-LN-25-BLOC-506-30K-90-BK-DALI-2

SERIES	MODULE	SECTION	DIFFUSER	LENGTH	CCT	CRI	FINISH	DIMMING
FR-TH FREE Series Track Head Module	LN Linear Module	25 1" x 1"	BLOC Block Frosted Diffuser	506 19.92" [20"]	30K 3000K 35K 3500K 40K 4000K	90	BK Black	NONDIM DALI-2 TUYA CASAMBI



BLOCK FROSTED
DIFFUSER (140°)



TRACK HEAD (TH)
MODULES

DECORATIVE.
FREE SERIES

NE



Neon Strip Module

DESCRIPTION

The captivating and fluid description of the Neon track system unfolds as an array of possibilities. It presents itself in two enticing forms: suspended and surface-mounted versions, both of which offer an exquisite blend of functionality and aesthetics. With its ability to gracefully rotate horizontally, this track system showcases its versatility.

One of the system's standout features is the diverse selection of linear modules, including the diffuser, prismatic, spotlight, downlight, and neon strip. These modules, acting as artistic building blocks, can be freely combined to unlock a myriad of applications. By cleverly intertwining the track and the neon strip module, a symphony of styles and expressions can be crafted, offering a limitless canvas for creative minds.

FEATURES

- i. Neon track system available in suspended and surface-mounted versions
- ii. Horizontal rotation capability for enhanced versatility
- iii. Diverse linear module options:
- iv. Diffuser, Prismatic, Spotlight, Downlight, and Neon Strips
- v. Modules can be easily combined for limitless applications
- vi. Creative matching of track and neon strip module for captivating stylings
- vii. Operates on a sleek 48VDC power supply
- viii. Compact design with a small and exquisite 1.18" diameter
- ix. High-quality aluminum construction ensures durability and longevity

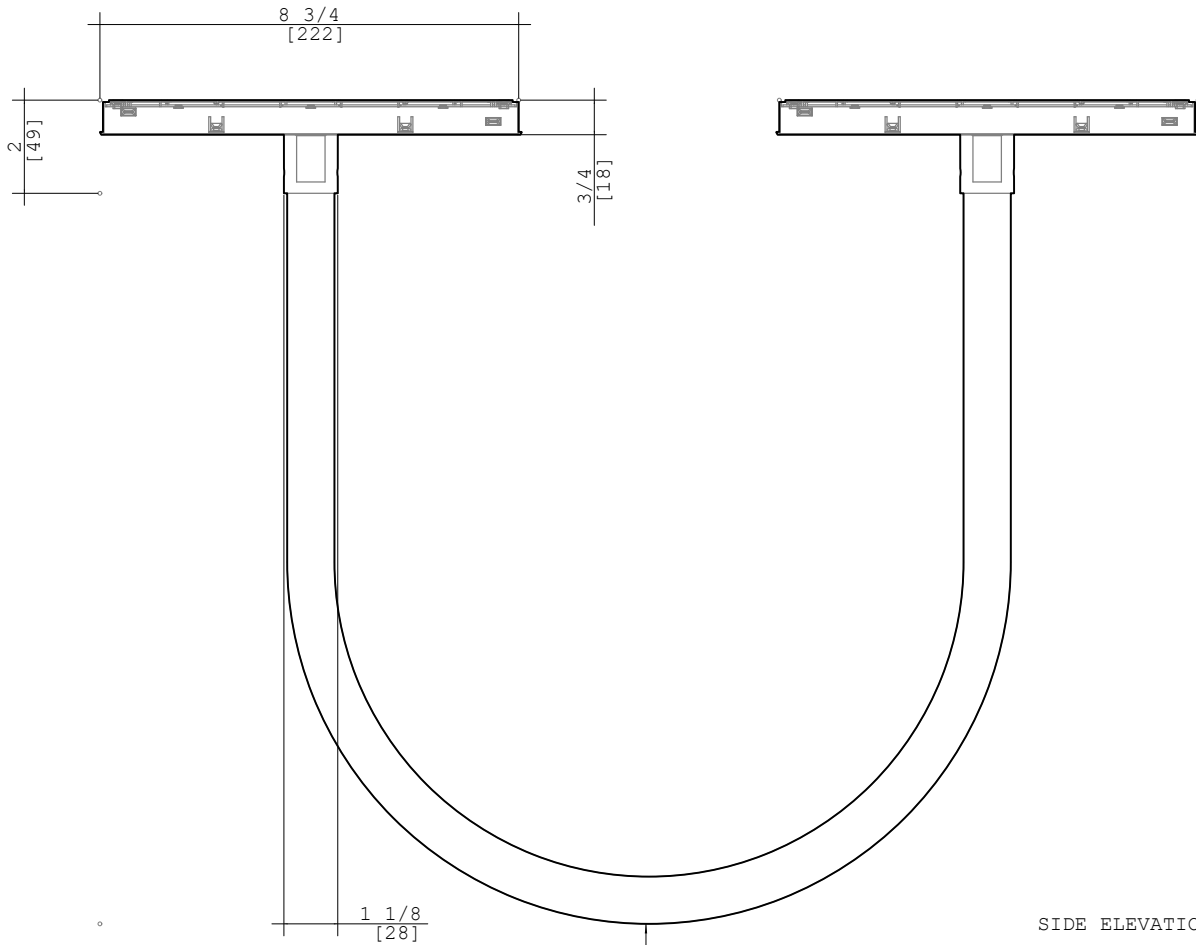
SPECS

Size Ø1.18" [1-1/4"]	39.37", 98.42", 196.85" 39", 98", 197"
Diffuser	Flexible Silicone Extrusion
Lumens	960, 2380, 4770
Typical Power	14W, 35W, 70W
CCT	2700K, 3000K, 3500K, 4000K
CRI	90+
Beam Angle	/
Dimming + Controls	Non-Dimming, DALI-2, TUYA, CASAMBI
Finish	Black

TRACK HEAD ORDERING GUIDE

EX: FR-TH-NS-D30-NE-5000-30K-90-BK-DALI-2

SERIES	MODULE	DIAMETER	DIFFUSER	LENGTH	CCT	CRI	FINISH	DIMMING
FR-TH FREE Series Track Head Module	NS Neon Strip	D30 Ø1.18" [1-1/4"]	NE Neon	5000	27K	90	BK Black	NONDIM DALI-2 TUYA CASAMBI
				196.85" [197"]	2700K			
				2500	30K			
				98.42" [98"]	3000K			
				1000	35K			
39.37" [39"]	3500K							
					40K			
					4000K			



SIDE ELEVATION

SILICONE NEON
DIFFUSER

DESCRIPTION

The captivating and fluid description of the Neon track system unfolds as an array of possibilities. It presents itself in two enticing forms: suspended and surface-mounted versions, both of which offer an exquisite blend of functionality and aesthetics. With its ability to gracefully rotate horizontally, this track system showcases its versatility.

One of the system's standout features is the diverse selection of linear modules, including the diffuser, prismatic, spotlight, downlight, and neon strip. These modules, acting as artistic building blocks, can be freely combined to unlock a myriad of applications. By cleverly intertwining the track and the neon strip module, a symphony of styles and expressions can be crafted, offering a limitless canvas for creative minds.



FEATURES

- i. Neon track system available in suspended and surface-mounted versions
- ii. Horizontal rotation capability for enhanced versatility
- iii. Diverse linear module options:
- iv. Diffuser, Prismatic, Spotlight, Downlight, and Neon Strips
- v. Modules can be easily combined for limitless applications
- vi. Creative matching of track and neon strip module for captivating stylings
- vii. Operates on a sleek 48VDC power supply
- viii. Compact design with a small and exquisite 1.18" diameter
- ix. High-quality aluminum construction ensures durability and longevity

SPECS

Size Ø1.18" [1-1/4"]	98.42", 39.37" 39", 98"
Diffuser	Silicone Extrusion
Lumens	Up to 2340
Typical Power	≤ 35W
CCT	2700K, 3000K, 3500K, 4000K
CRI	90+
Beam Angle	/
Dimming + Controls	Non-Dimming, DALI-2, TUYA, CASAMBI
Finish	Black

TRACK HEAD ORDERING GUIDE

EX: FR-TH-NT-D30-NE-2500-30K-90-BK-DALI-2

SERIES	MODULE	DIAMETER	DIFFUSER	LENGTH	CCT	CRI	FINISH	DIMMING
FR-TH FREE Series Track Head Module	NT Rigid Tube	D30 Ø1.18" [1-1/4"]	NE Neon	2500 98.42" [98"]	27K 2700K	90	BK Black	NONDIM DALI-2 TUYA CASAMBI
				1000 39.37" [39"]	30K 3000K 35K 3500K 40K 4000K			



Neon Pendant Module

DESCRIPTION

The captivating and fluid description of the Neon track system unfolds as an array of possibilities. It presents itself in two enticing forms: suspended and surface-mounted versions, both of which offer an exquisite blend of functionality and aesthetics. With its ability to gracefully rotate horizontally, this track system showcases its versatility.

One of the system's standout features is the diverse selection of linear modules, including the diffuser, prismatic, spotlight, downlight, and neon strip. These modules, acting as artistic building blocks, can be freely combined to unlock a myriad of applications. By cleverly intertwining the track and the neon strip module, a symphony of styles and expressions can be crafted, offering a limitless canvas for creative minds.

FEATURES

- i. Neon track system available in suspended and surface-mounted versions
- ii. Horizontal rotation capability for enhanced versatility
- iii. Diverse linear module options:
- iv. Diffuser, Prismatic, Spotlight, Downlight, and Neon Strips
- v. Modules can be easily combined for limitless applications
- vi. Creative matching of track and neon strip module for captivating stylings
- vii. Operates on a sleek 48VDC power supply
- viii. Compact design with a small and exquisite 1.18" diameter
- ix. High-quality aluminum construction ensures durability and longevity

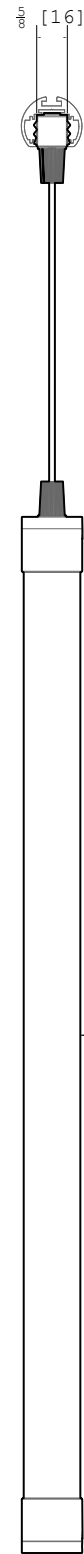
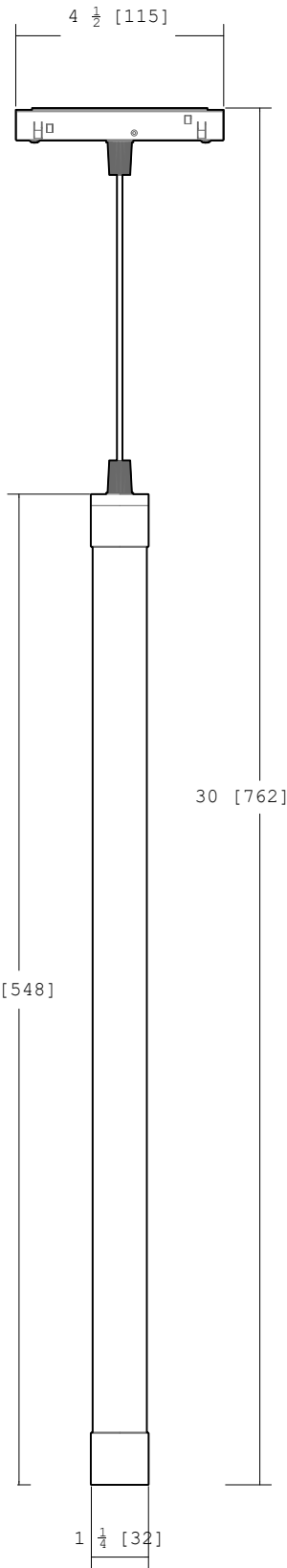
SPECS

Size Ø1.18" [1-1/4"]	20.47" 20"
Diffuser	Neon Pendant
Lumens	460
Typical Power	7W
CCT	2700K, 3000K, 3500K, 4000K
CRI	90+
Beam Angle	/
Dimming + Controls	Non-Dimming, DALI-2, TUYA, CASAMBI
Finish	Black

TRACK HEAD ORDERING GUIDE

EX: FR-TH-NP-D30-NE-520-30K-90-BK-DALI-2

SERIES	MODULE	SECTION	DIFFUSER	LENGTH	CCT	CRI	FINISH	DIMMING
FR-TH FREE Series Track Head Module	NP Neon Pendant	D30 Ø1.18" [1-1/4"]	NE Neon	520 20.47" [21"]	27K 2700K 30K 3000K 35K 3500K 40K 4000K	90	BK Black	NONDIM DALI-2 TUYA CASAMBI





Square Neon Module

DESCRIPTION

The captivating and fluid description of the Neon track system unfolds as an array of possibilities. It presents itself in two enticing forms: suspended and surface-mounted versions, both of which offer an exquisite blend of functionality and aesthetics. With its ability to gracefully rotate horizontally, this track system showcases its versatility.

One of the system's standout features is the diverse selection of linear modules, including the diffuser, prismatic, spotlight, downlight, and neon strip. These modules, acting as artistic building blocks, can be freely combined to unlock a myriad of applications. By cleverly intertwining the track and the neon strip module, a symphony of styles and expressions can be crafted, offering a limitless canvas for creative minds.

FEATURES

- i. Neon track system available in suspended and surface-mounted versions
- ii. Horizontal rotation capability for enhanced versatility
- iii. Diverse linear module options:
- iv. Diffuser, Prismatic, Spotlight, Downlight, and Neon Strips
- v. Modules can be easily combined for limitless applications
- vi. Creative matching of track and neon strip module for captivating stylings
- vii. Operates on a sleek 48VDC power supply
- viii. Compact design with a small and exquisite 1.18" diameter
- ix. High-quality aluminum construction ensures durability and longevity

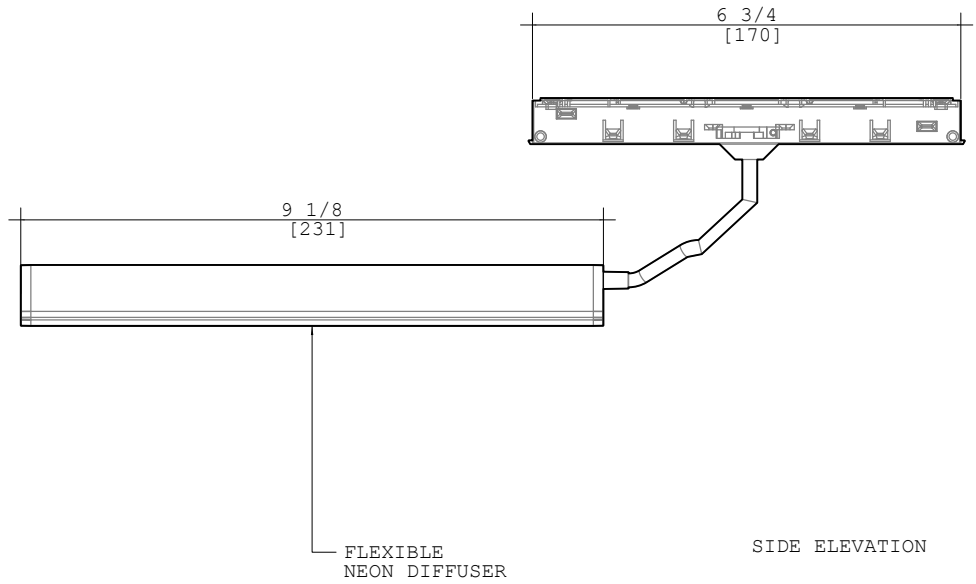
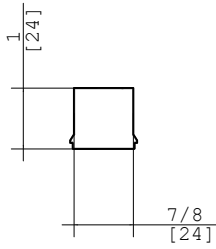
SPECS

Size	196.85", 59.06", 39.37"
27mm x 0.94"	
Diffuser	Neon Silicone
Lumens	up to 2160 (130 lm/ft)
Typical Power	~ 3 W/ft
CCT	2700K, 3000K, 3500K, 4000K
CRI	90+
Beam Angle	113°
Dimming + Controls	Non-Dimming, DALI-2, Tuya Bluetooth, CASAMBI
Finish	Black

TRACK HEAD ORDERING GUIDE

EX: FR-TH-SQ-2724-NE-5000-30K-90-BK-DALI-2

SERIES	MODULE	SECTION	DIFFUSER	LENGTH	CCT	CRI	FINISH	DIMMING
FR-TH FREE Series Track Head Module	SQ Square Neon	2424 0.94" x 0.94" [0.95" x 0.95"]	NE Neon	5000	27K	90	BK Black	NONDIM DALI-2 TUYA CASAMBI
				196.85" [197"]	2700K			
				1500	30K			
				59.06" [59"]	3000K			
				1000	35K			
39.37" [39"]	3500K							
					40K			
					4000K			



FLEXIBLE
NEON DIFFUSER

SIDE ELEVATION



Neon Cross-Track Module(s)

DESCRIPTION

The captivating and fluid description of the Neon track system unfolds as an array of possibilities. It presents itself in two enticing forms: suspended and surface-mounted versions, both of which offer an exquisite blend of functionality and aesthetics. With its ability to gracefully rotate horizontally, this track system showcases its versatility.

One of the system's standout features is the diverse selection of linear modules, including the diffuser, prismatic, spotlight, downlight, and neon strip. These modules, acting as artistic building blocks, can be freely combined to unlock a myriad of applications. By cleverly intertwining the track and the neon strip module, a symphony of styles and expressions can be crafted, offering a limitless canvas for creative minds.

FEATURES

- i. Neon track system available in suspended and surface-mounted versions
- ii. Horizontal rotation capability for enhanced versatility
- iii. Diverse linear module options:
- iv. Diffuser, Prismatic, Spotlight, Downlight, and Neon Strips
- v. Modules can be easily combined for limitless applications
- vi. Creative matching of track and neon strip module for captivating stylings
- vii. Operates on a sleek 48VDC power supply
- viii. Compact design with a small and exquisite 1.18" diameter
- ix. High-quality aluminum construction ensures durability and longevity

ROTATION
350°



SPECS

Size Ø1.18" [1-1/4"]	47.24", 35.43", 23.62"
Diffuser	Neon Silicone
Lumens	up to 2400 (610 lm/ft)
Typical Power	6.7 W/ft
CCT	2700K, 3000K, 3500K, 4000K
CRI	90+
Beam Angle	154°
Dimming + Controls	Non-Dimming, DALI-2, TUYA, CASAMBI
Finish	Black

TRACK HEAD ORDERING GUIDE

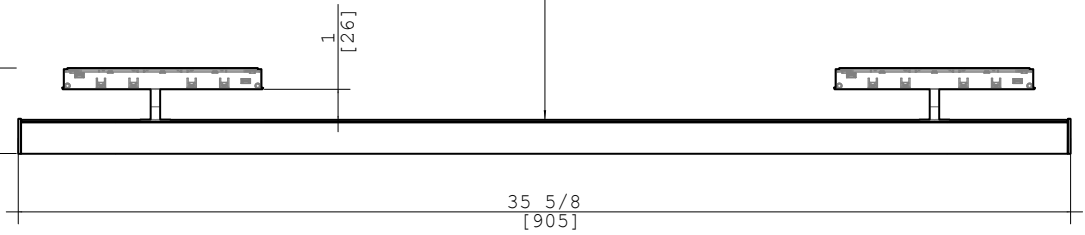
EX: FR-TH-CT-D30-NE-520-30K-90-BK-DALI-2

SERIES	MODULE	DIAMETER	DIFFUSER	LENGTH	CCT	CRI	FINISH	DIMMING
FR-TH FREE Series Track Head Module	CT Neon Cross-Track	D30 Ø1.18" [1-1/4"]	NE Neon	1200	27K	90	BK Black	NONDIM DALI-2 TUYA CASAMBI
				47.24" [47"]	30K			
				900	3000K			
				35.43" [35"]	35K			
600	3500K							
23.62" [24"]	40K							
	4000K							



Ø1 1/4
[30]

2 7/8
[74]



SIDE ELEVATION



Cylinder Pendant Module

DESCRIPTION

The captivating and fluid description of the Neon track system unfolds as an array of possibilities. It presents itself in two enticing forms: suspended and surface-mounted versions, both of which offer an exquisite blend of functionality and aesthetics. With its ability to gracefully rotate horizontally, this track system showcases its versatility.

One of the system's standout features is the diverse selection of linear modules, including the diffuser, prismatic, spotlight, downlight, and neon strip. These modules, acting as artistic building blocks, can be freely combined to unlock a myriad of applications. By cleverly intertwining the track and the neon strip module, a symphony of styles and expressions can be crafted, offering a limitless canvas for creative minds.

FEATURES

- i. Neon track system available in suspended and surface-mounted versions
- ii. Horizontal rotation capability for enhanced versatility
- iii. Diverse linear module options:
- iv. Diffuser, Prismatic, Spotlight, Downlight, and Neon Strips
- v. Modules can be easily combined for limitless applications
- vi. Creative matching of track and neon strip module for captivating stylings
- vii. Operates on a sleek 48VDC power supply
- viii. Compact design with a small and exquisite 1.18" diameter
- ix. High-quality aluminum construction ensures durability and longevity

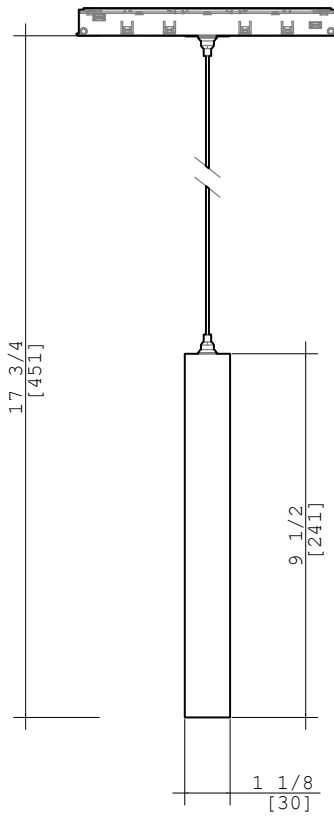
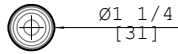
SPECS

Size [47.24" H]	Ø1.18", Ø1.97" [Ø1-1/4", Ø2"]
Diffuser	Diffuse
Lumens	405
Typical Power	5W
CCT	3000K, 3500K, 4000K
CRI	90+
Beam Angle	24°/36°
Dimming + Controls	Non-Dimming, DALI-2, TUYA, CASAMBI
Finish	Black

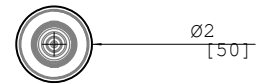
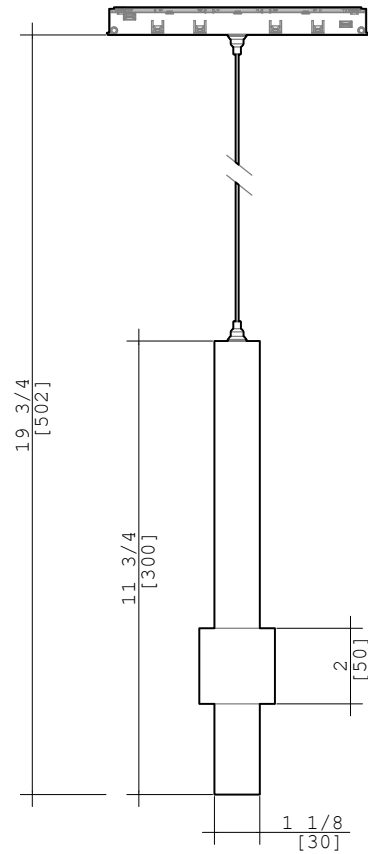
TRACK HEAD ORDERING GUIDE

EX: FR-TH-CYL-D30-24-DF-300-90K-90-BK-DALI-2

SERIES	MODULE	DIAMETER-BEAM	DIFFUSER	LENGTH	CCT	CRI	FINISH	DIMMING
FR-TH FREE Series Track Head Module	CYL Cylinder Pendant	D30-24	DF Diffuser	300 11.81" [12"]	27K 2700K	90	BK Black	NONDIM DALI-2 TUYA CASAMBI
		Ø1.18", 24° Beam						
		D30-36						
		Ø1.18", 36° Beam						
		D50-24						
Ø1.97", 24° Beam								
D50-36								
Ø1.97", 36° Beam								
					3000K			
					35K 3500K			
					40K 4000K			



SIDE ELEVATION (Ø30MM)



SIDE ELEVATION (Ø50MM)



Pendant Globe
Module

DESCRIPTION

The captivating and fluid description of the Neon track system unfolds as an array of possibilities. It presents itself in two enticing forms: suspended and surface-mounted versions, both of which offer an exquisite blend of functionality and aesthetics. With its ability to gracefully rotate horizontally, this track system showcases its versatility.

One of the system's standout features is the diverse selection of linear modules, including the diffuser, prismatic, spotlight, downlight, and neon strip. These modules, acting as artistic building blocks, can be freely combined to unlock a myriad of applications. By cleverly intertwining the track and the neon strip module, a symphony of styles and expressions can be crafted, offering a limitless canvas for creative minds.

FEATURES

- i. Neon track system available in suspended and surface-mounted versions
- ii. Horizontal rotation capability for enhanced versatility
- iii. Diverse linear module options:
- iv. Diffuser, Prismatic, Spotlight, Downlight, and Neon Strips
- v. Modules can be easily combined for limitless applications
- vi. Creative matching of track and neon strip module for captivating stylings
- vii. Operates on a sleek 48VDC power supply
- viii. Compact design with a small and exquisite 1.18" diameter
- ix. High-quality aluminum construction ensures durability and longevity

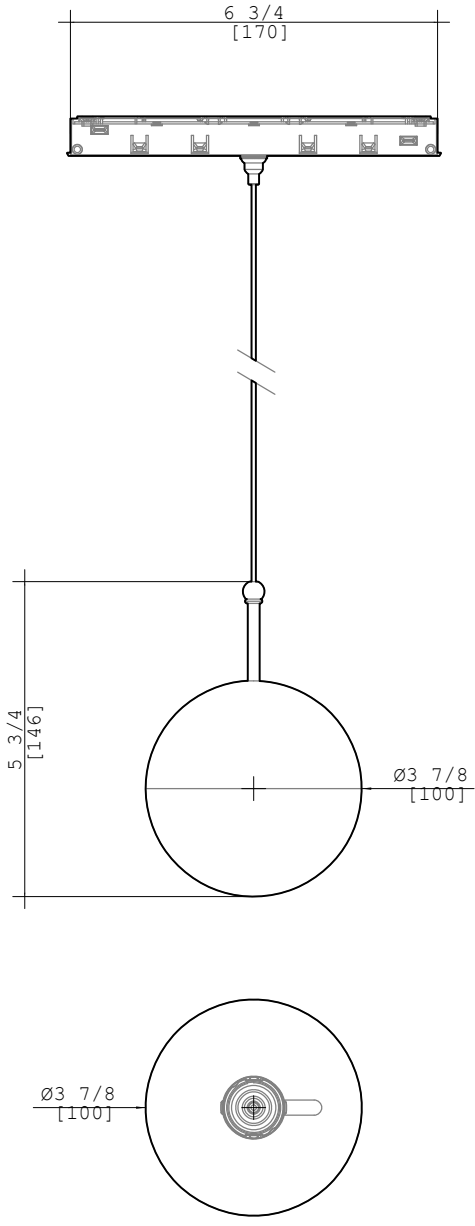
SPECS

Diameter (Ø)	Ø3.94" [3.94"]
Diffuser	Diffuse
Lumens	485
Typical Power	5W
CCT	2700K, 3000K, 3500K, 4000K
CRI	90+
Beam Angle	/
Dimming + Controls	Non-Dimming, DALI-2, TUYA, CASAMBI
Finish	Black

TRACK HEAD ORDERING GUIDE

EX: FR-TH-GL-D100-DF-1200-35K-90-BK-DALI-2

SERIES	MODULE	DIAMETER-BEAM	DIFFUSER	CABLE LENGTH	CCT	CRI	FINISH	DIMMING
FR-TH FREE Series Track Head Module	GL Pendant Globe	D100 Ø3.94"	DF Diffuser	1200 47.24" [-48"]	27K 2700K 30K 3000K 35K 3500K 40K 4000K	90	BK Black	NONDIM DALI-2 TUYA CASAMBI



SIDE ELEVATION (Ø100MM)



Sunset Lamp
Module

DESCRIPTION

The captivating and fluid description of the Neon track system unfolds as an array of possibilities. It presents itself in two enticing forms: suspended and surface-mounted versions, both of which offer an exquisite blend of functionality and aesthetics. With its ability to gracefully rotate horizontally, this track system showcases its versatility.

One of the system's standout features is the diverse selection of linear modules, including the diffuser, prismatic, spotlight, downlight, and neon strip. These modules, acting as artistic building blocks, can be freely combined to unlock a myriad of applications. By cleverly intertwining the track and the neon strip module, a symphony of styles and expressions can be crafted, offering a limitless canvas for creative minds.

FEATURES

- i. Neon track system available in suspended and surface-mounted versions
- ii. Horizontal rotation capability for enhanced versatility
- iii. Diverse linear module options:
- iv. Diffuser, Prismatic, Spotlight, Downlight, and Neon Strips
- v. Modules can be easily combined for limitless applications
- vi. Creative matching of track and neon strip module for captivating stylings
- vii. Operates on a sleek 48VDC power supply
- viii. Compact design with a small and exquisite 1.18" diameter
- ix. High-quality aluminum construction ensures durability and longevity

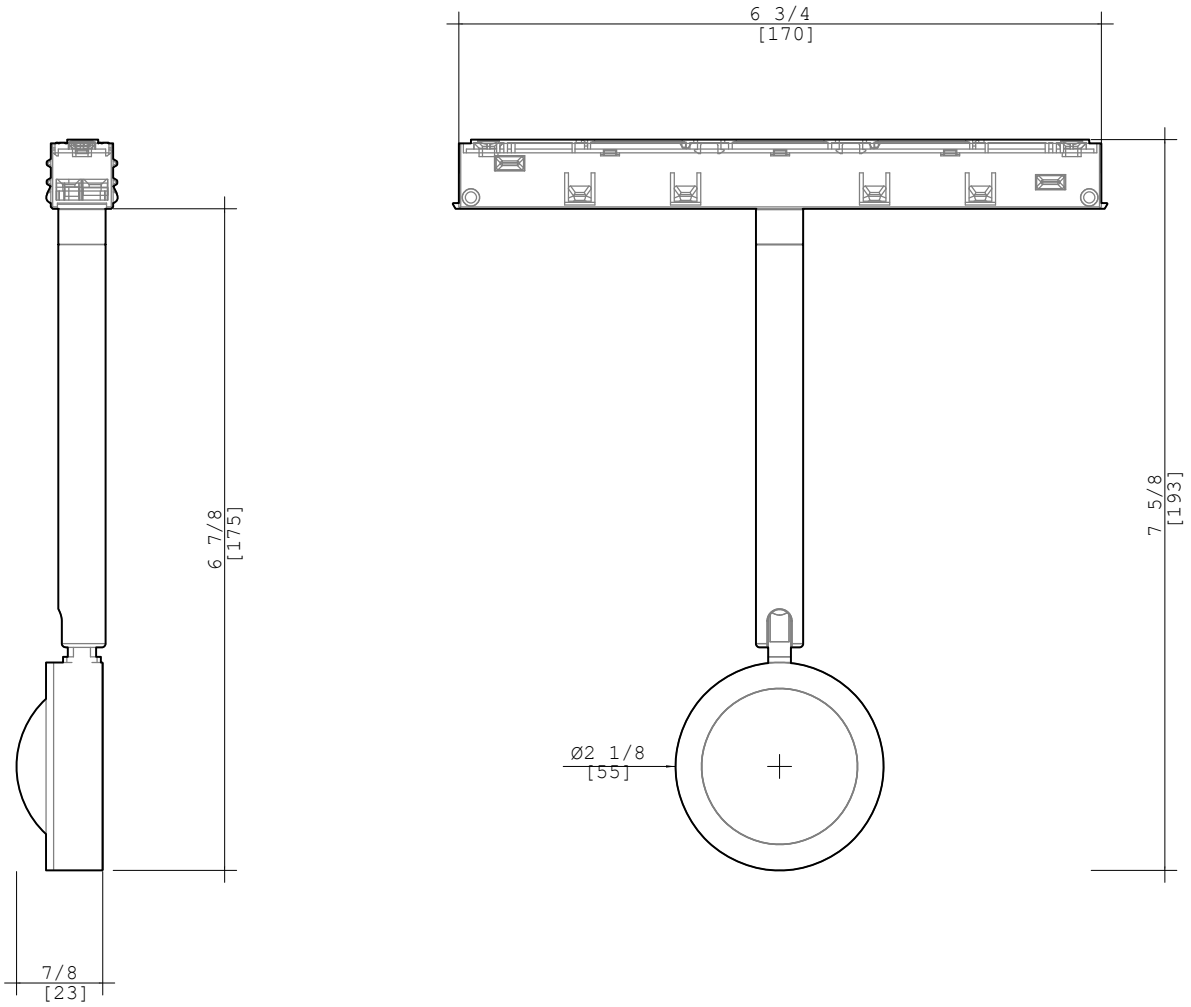
SPECS

Size	Ø3.94" [3.94"]
Diffuser	Diffuse
Lumens	170
Typical Power	5W
CCT	1500K
CRI	90+
Beam Angle	/
Dimming + Controls	Non-Dimming, DALI-2, TUYA, CASAMBI
Finish	Black

TRACK HEAD ORDERING GUIDE

EX: FR-TH-GL-D100-DF-1200-35K-90-BK-DALI-2

SERIES	MODULE	DIAMETER-BEAM	DIFFUSER	CABLE LENGTH	CCT	CRI	FINISH	DIMMING
FR-TH FREE Series Track Head Module	GL Pendant Globe	D100 Ø3.94"	DF Diffuser	1200 47.24" [-48"]	27K 2700K 30K 3000K 35K 3500K 40K 4000K	90	BK Black	NONDIM DALI-2 TUYA CASAMBI



SIDE ELEVATION

SKETCH YOUR OWN CONFIGURATION (for reference only — no one's expecting Picasso)

