

Project

Type



Date

Product Code

Designer

IDM ARTIMA®/3 VNSP

track mounted LED very narrow spotlight with integral dimmer



IDM Artima/3 VNSP with Ring Baffle (OG)

IDM Artima/3 VNSP with Open Aperture (OH)



aperture view



aperture view

- Fixtures may be configured to mount to any of eighteen 20-amp, 12-volt [track systems](#) – or – to any of six 277-volt track systems.
- Whether operated on 120-volt or 277-volt track, luminaire may be dimmed to 10% by an integral rotary dimmer located in the center of the housing top. Dimmer control shaft is spring loaded, permitting shaft to be expressed for adjustment and then depressed flush with the housing top, conserving dimmer setting. ‘Clock face’ markings permit registration of dimmer setting. (See illustrations below.)
- Fixture function can be changed with your choice of Quick Change Cartridge – which can be removed from the fixture easily – and your choice of ‘twist and lock’ [reflector](#).
- Quick Change Cartridge / Reflector choices
 - Quick Change Cartridge with a ring baffle (OG) for enhanced glare control; for use with a 7° or 14° reflector.
 - Quick Change Cartridge with an open aperture (OH) for maximum efficacy; for use with a 7° or 14° reflector.
- Fixture is provided with a single Quick Change Cartridge and a single reflector. Additional Quick Change Cartridges and reflectors may be ordered as accessories.
- **Optical Accessories:** Each Quick Change Cartridge accepts one or two of a number of spread lenses, color filters and screens. A complimentary beam smoother is included.
- Horizontal and vertical adjustment can be locked by tightening two collar clamps using a 3/32” hex key.
- An on-off rocker switch, mounted in the driver case, is included standard on luminaires equipped for 120-volt track only.
- For more information, [click here](#).

IDM Artima/3 VNSP is a track mounted spotlight capable of 7° or 14° beam spreads. Luminaire is powered by one of a number of Cree chip-on-board LED modules. See tables below for wattages and efficacies.

PRODUCT CODE

For complete product code, list basic unit and select one item from each following box.

Basic Unit	IDM-A3-CLT
Quick Change Cartridge	
Ring Baffle	- OG
Open Aperture	- OH
Reflector (specify one to ship with fixture)	
7° very narrow spot	- 7D
14° narrow spot	- 14D
Track Configuration	
120-volt track (e.g. SightLine)	- 2C
277-volt track (e.g. HighLine)	- HC
Finish	
white: white paint, white lead cord, matte aluminum heat sink; white switch	- WH
black: black paint, black lead cord, black heat sink; black switch	- BL
Industrial Silver: silver paint, black lead cord, black heat sink; black switch	- SI
custom color: include paint number or physical chip with order and select one from below	
• white lead cord, matte aluminum heat sink; white switch	- CCW
• black lead cord, black heat sink; black switch; black switch	- CCB
• any other combinations require a special order	

Light Source Output (Lumens)		
1400 lumens / CRI 98	2700K or 3000K only	- L14A
1900 lumens / CRI 80+		- L19S

Light Color		
2700 K	- 27K	
3000 K	- 30K	
3500 K	- 35K	
4000 K	- 40K	
5000 K	not available in 98 CRI	- 50K

Dimming Notes:	
• Fixture may be dimmed only by its integral dimmer.	
• Fixture cannot be dimmed by a dimmer of any kind on the track circuit.	
• Fixture may be damaged by use of an incandescent or ELV dimmer on the track circuit.	
• Fixture will not be dimmed or damaged by use of a 0-10V dimmer on the track circuit.	

EXTRA REFLECTORS & CARTRIDGES

Specify as separate line items.

Reflector	
7° very narrow spot reflector	CLT-REF-7D
14° narrow spot reflector	CLT-REF-14D

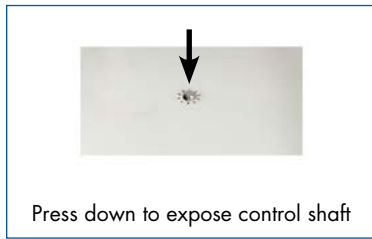
OPTICAL ACCESSORIES ▼ See next page

Quick Change Cartridge	
Ring Baffle	RK-A3-CLT+OG
Open Aperture	RK-A3-CLT+OH

For the outlet box mounted version, see [IDM Artima/3 VNSP-OBM](#).



DIMMER OPERATION



OPTICAL ACCESSORIES

Specify as separate line items.

All are 2 3/4" (70mm) dia. Lenses and filters are glass; screens are aluminum.

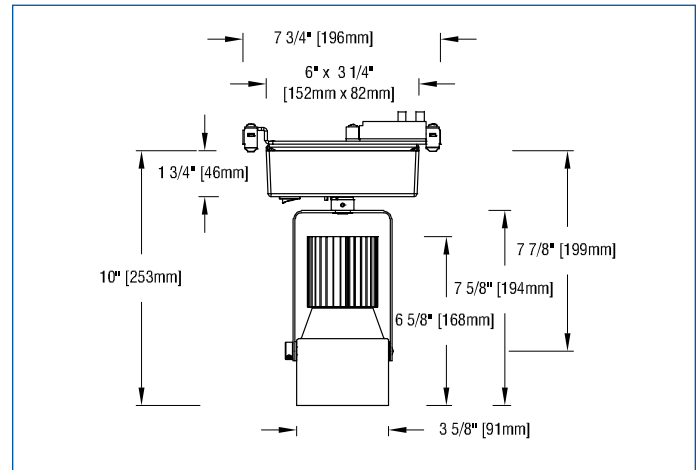
- diffuse glass DGS/2.75
- prismatic lens (Solite) PLS/2.75
- 55° spread lens LENS/2.75
- 40° x 70° spread lens LENS/2.75-4070
- color filters**
- Daylight Blue DAY/2.75
- Surprise Pink PNK/2.75
- blue BLU/2.75
- green GRN/2.75
- red RED/2.75

BARN DOORS

Specify as separate line items.

Specify with one optical accessory (not included), see above.

- white BD-A3-WH
- black BD-A3-BL
- silver BD-A3-SI
- custom color BD-A3-CC



APPLICATIONS

Luminaire is suitable for highlighting vertical or horizontal surfaces, as well as objects in museums, galleries, showrooms, residences, offices and stores.

Luminaire is listed for mounting on Edison Price Lighting 120-volt or 277-volt track.

Fixture Spacing Requirements The track adapter of this fixture is as long as 7 3/4" long. For this reason 1) it cannot be track-mounted closer than 8 1/4" on center and 2) it cannot be used with 2 of our 7 **Unicep** single-fixture track units.

STANDARD DRIVER INFORMATION (UL Class 2, dry and damp location)

Voltage	120	277
Input Watts (L19S/L14A lumens)	18/18	18/18
Input Current(A) (L19S/L14A lumens)	.15/.15	.06/.06
Min. Power Factor	0.90	0.90
Operating Temperature Range (F)	-13 to 122	-13 to 122

LIGHT OUTPUT MULTIPLIER

LED Module Type	Light Output Multiplier
L19S	1
L14A	0.74*

*estimated values

– photometrics continued below –



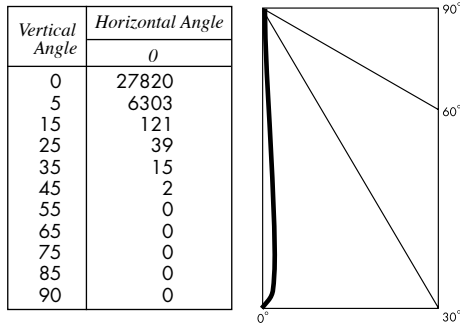
PHOTOMETRIC REPORT with 7° reflector (tested per IESNA LM-79-2008)



Prorated from Leading Testing Laboratories Report No. UT19030004-02-R1. Original test report furnished upon request.

Luminaire track-mounted LED accent light with 7° reflector and black ring baffle (NO LENS)
 Lamp Cree LED Module, 1900 lumens, 3000K
 Lamp Life Rated 50,000 hours based on L70/B50 criteria. LM80 report by LED manufacturer furnished upon request

CANDLEPOWER DISTRIBUTION



LUMINAIRE LIGHT OUTPUT AND EFFICACY

LED Module Type	Luminaire Light Output	Luminaire CBCP	Luminaire Efficacy (lms/watt)	System Wattage
L19S	637	27820	35	18
L14A	471*	20587*	26*	18

*estimated values

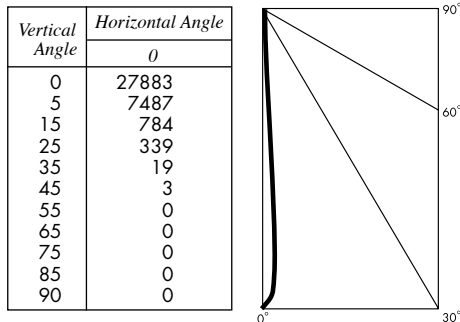
PHOTOMETRIC REPORT with 7° reflector (tested per IESNA LM-79-2008)



Prorated from Leading Testing Laboratories Report No. UT19030004-01-R1. Original test report furnished upon request.

Luminaire track-mounted LED accent light with 7° reflector and black lens holder (NO LENS)
 Lamp Cree LED Module, 1900 lumens, 3000K
 Lamp Life Rated 50,000 hours based on L70/B50 criteria. LM80 report by LED manufacturer furnished upon request

CANDLEPOWER DISTRIBUTION



LUMINAIRE LIGHT OUTPUT AND EFFICACY

LED Module Type	Luminaire Light Output	Luminaire CBCP	Luminaire Efficacy (lms/watt)	System Wattage
L19S	1079	27883	60	18
L14A	798*	20633*	44	18

*estimated values

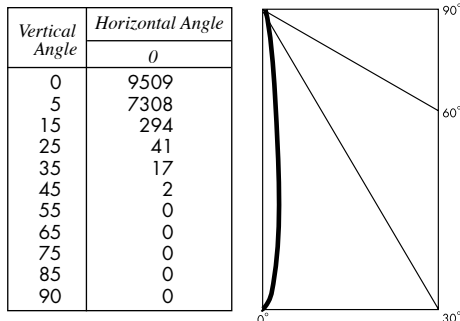
PHOTOMETRIC REPORT with 14° reflector (tested per IESNA LM-79-2008)



Prorated from Leading Testing Laboratories Report No. UT19030004-04-R1. Original test report furnished upon request.

Luminaire track-mounted LED accent light with 14° reflector and black ring baffle (NO LENS)
 Lamp Cree LED Module, 1900 lumens, 3000K
 Lamp Life Rated 50,000 hours based on L70/B50 criteria. LM80 report by LED manufacturer furnished upon request

CANDLEPOWER DISTRIBUTION



LUMINAIRE LIGHT OUTPUT AND EFFICACY

LED Module Type	Luminaire Light Output	Luminaire CBCP	Luminaire Efficacy (lms/watt)	System Wattage
L19S	628	9509	35	18
L14A	465*	7037*	26*	18

*estimated values

PHOTOMETRIC REPORT with 14° reflector (tested per IESNA LM-79-2008)



Prorated from Leading Testing Laboratories Report No. UT19030004-03-R1. Original test report furnished upon request.

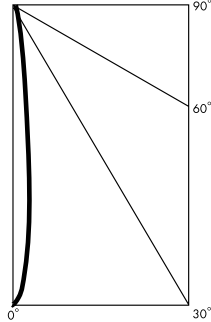
Luminaire track-mounted LED accent light with 14° reflector and black lens holder (NO LENS)

Lamp Cree LED Module, 1900 lumens, 3000K

Lamp Life Rated 50,000 hours based on L70/B50 criteria. LM80 report by LED manufacturer furnished upon request

CANDLEPOWER DISTRIBUTION

Vertical Angle	Horizontal Angle
	0
0	11893
5	8556
15	1144
25	376
35	18
45	5
55	1
65	0
75	0
85	0
90	0



LUMINAIRE LIGHT OUTPUT AND EFFICACY

LED Module Type	Luminaire Light Output	Luminaire CBCP	Luminaire Efficacy (lms/watt)	System Wattage
L19S	1116	11893	62	18
L14A	826*	8801*	46*	18

*estimated values