

Project

Type



Date

Product Code

Designer

# IDM ARTIMA®/3 XTM W

track mounted LED wallwasher with integral dimmer



IDM Artima/3 W is a track mounted wallwasher powered by one of a number of Xicato LED modules – including Artist Series and Vibrant Series modules – all of which are distinguished by extraordinary color consistency (within 1x2-step MacAdam ellipse). See tables below for wattages and efficacies.

## PRODUCT CODE

For complete product code, list basic unit and select one item from each following box.

**Basic Unit** ..... IDM-A3-XTM-W

**Track Configuration**  
120-volt track (e.g. SightLine) ..... 2C  
277-volt track (e.g. HighLine) ..... no switch; not dimmable ..... HC

**Finish**  
white: white paint, white lead cord, matte aluminum heat sink; white switch ..... WH  
black: black paint, black lead cord, black heat sink; black switch ..... BL  
Industrial Silver: silver paint, black lead cord, black heat sink; black switch ..... SI  
custom color: include paint number or physical chip with order and select one from below  
• white lead cord, matte aluminum heat sink; white switch ..... CCW  
• black lead cord, black heat sink; black switch ..... CCB  
• any other combinations require a special order

**Light Source Output (Lumens)**  
2100 lumens / CRI 98 Artist..... L21A  
3000 lumens ..... L30A  
2100 lumens / CRI 90 Designer ..... L21H  
3000 lumens ..... L30H  
2100 lumens / CRI 80 Vibrant ..... 3000K only ..... L21V  
3900 lumens ..... 3000K only ..... L39V  
2100 lumens / CRI 80+ standard ..... L21S  
3900 lumens ..... L39S  
*Designer available in 2700K or 3000K. Vibrant available in 3000K only.*

**Light Color**  
2700 K ..... 27K  
3000 K ..... 30K  
3500 K ..... 35K  
4000 K ..... 40K

**Dimming Notes:**  
• Fixture may be dimmed only by its integral dimmer.  
• Fixture cannot be dimmed by a dimmer of any kind on the track circuit.  
• Fixture may be damaged by use of an incandescent or ELV dimmer on the track circuit.  
• Fixture will not be dimmed or damaged by use of a 0-10V dimmer on the track circuit.  
• Combination with wireless Bluetooth controls available on [Bluetooth](#) model.

- Luminaire may be configured to mount to any of eighteen 20-amp, 120-volt [track systems](#) – or – to any of six 277-volt track systems.
- Whether operated on 120-volt or 277-volt track, luminaire may be dimmed to 10% by an integral rotary dimmer located in the center of the housing top. Dimmer control shaft is spring loaded, permitting shaft to be expressed for adjustment and then depressed flush with the housing top, conserving dimmer setting. ‘Clock face’ markings permit registration of dimmer setting. (See illustrations below.)
- Bluetooth controls and integral rotary dimmer can be specified together in the same fixture. Users can dim by the protocol of their choice, switching between the two options as desired.
- An on-off rocker switch, mounted in the driver case, is included standard on luminaires equipped for 120-volt track only.
- The optical assembly for Artima/3 W consists of an aluminum reflector and a 40° x 70° spread lens. In addition, the assembly can accept one of a number of optional [Optical Accessories](#) including color filters and screens. Assembly is keyed relative to luminaire housing, to retain critical lens orientation.
- Luminaire provides 385° horizontal rotation and vertical adjustment from 0° to 90°. Lamp focus can be locked by tightening two collar clamps using a 3/32" hex key.
- For more information, [click here](#).

## OPTICAL ACCESSORIES ▼ See next page

For an outlet box mounted model, see [IDM Artima/3 XTM W-OBM](#)



## DIMMER OPERATION



## OPTICAL ACCESSORIES

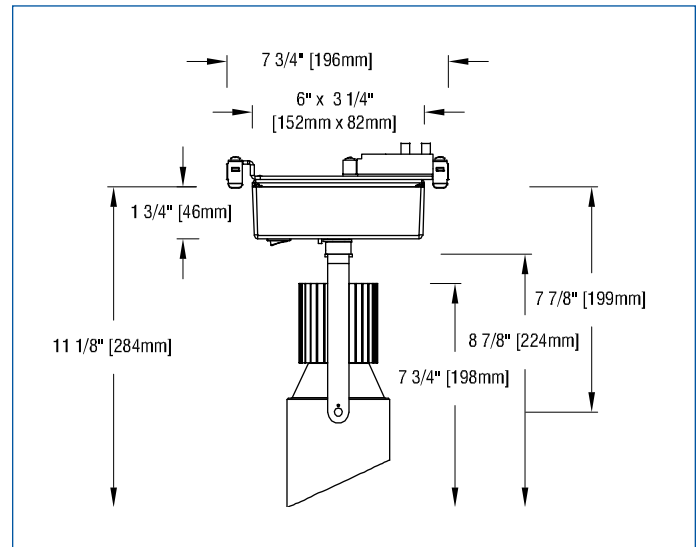
Specify as separate line items; only for use with one of the above.

All are 2 3/4" (70mm) diameter. Lenses and filters are glass; screens are aluminum.

40° x 70° spread lens (included with fixture) ..... LENS/2.75-4070

### color filters

- Daylight Blue ..... DAY/2.75
- Surprise Pink ..... PNK/2.75
- blue ..... BLU/2.75
- green ..... GRN/2.75
- red ..... RED/2.75



## APPLICATIONS

Luminaire is suitable for highlighting vertical surfaces in museums, galleries, showrooms, residences, offices and stores.

Luminaire is listed for mounting on Edison Price Lighting 120-volt or 277-volt track.

**Fixture Spacing Requirements** The track adapter of this fixture is 7 3/4" long. For this reason 1) it cannot be track-mounted closer than 8" on center and 2) it cannot be used with 2 of our 7 **Unicep** single-fixture track units.

– see below for photometric reports –



## PHOTOMETRIC REPORT (tested per IESNA LM-79-2008)

Prorated from Verification Services Report No. 1164145. Original test report furnished upon request.

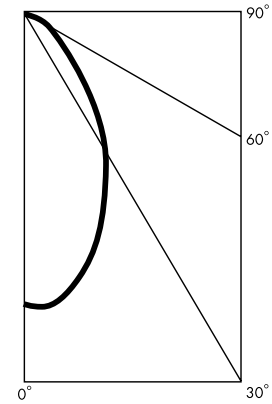
Luminaire ..... track-mounted LED wallwasher with a 60° internal reflector, a 40° x 70° spread lens and a specular hammer tone kicker reflector.  
 Lamp ..... Xicato XTM LED Module, 2100 lumens, 3000K  
 Lamp Life ..... rated 50,000 hours based on L70/B50 criteria. LM80 report by LED manufacturer furnished upon request

### WALLWASH INFORMATION

| Distance From Ceiling (Feet) | 3' From Wall; 3' O.C.<br>(2100 lumens) |                  | 3' 6" From Wall; 3' 6" O.C.<br>(2100 lumens) |                  | 4' From Wall; 4' O.C.<br>(3900 lumens) |                  |
|------------------------------|--|------------------|--|------------------|--|------------------|
|                              | Below Fixture                          | Between Fixtures | Below Fixture                                | Between Fixtures | Below Fixture                          | Between Fixtures |
| 1                            | 18                                     | 16               | 15   | 13               | 21                                     | 18               |
| 2                            | 30                                     | 26               | 22   | 19               | 31                                     | 26               |
| 3                            | 34                                     | 32               | 27   | 24               | 37                                     | 33               |
| 4                            | 31                                     | 31               | 26   | 26               | 36                                     | 35               |
| 5                            | 27                                     | 26               | 23   | 23               | 33                                     | 33               |
| 6                            | 22                                     | 21               | 20   | 20               | 30                                     | 29               |
| 7                            | 18                                     | 17               | 17   | 16               | 26                                     | 25               |
| 8                            | 14                                     | 14               | 14   | 13               | 22                                     | 21               |
| 9                            | 11                                     | 11               | 11   | 11               | 18                                     | 18               |
| 10                           | 9                                      | 9                | 9  | 9                | 15                                     | 15               |
| 11                           | 7                                      | 7                | 7  | 7                | 13                                     | 13               |
| 12                           | 6                                      | 6                | 6  | 6                | 11                                     | 11               |
| 13                           |  |                  |  |                  | 9                                      | 9                |
| 14                           |  |                  |  |                  | 8                                      | 8                |
| 15                           |  |                  |  |                  | 7                                      | 7                |

This table lists initial illuminance values at the center of a row of at least 5 fixtures with no contribution from ceiling or floor reflectance. Fixtures were modeled with maximum candlepower at 10° to 15° above vertical.

### CANDLEPOWER DISTRIBUTION



### LUMINAIRE LIGHT OUTPUT AND EFFICACY

| LED Module Type                | Luminaire Light Output | Luminaire CBCP | Luminaire Efficacy (lms/watt) | System Wattage |
|--------------------------------|------------------------|----------------|-------------------------------|----------------|
| 2100 Lumens Artist             | 1057*                  | 1151*          | 42*                           | 25             |
| 3000 Lumens Artist             | 1455*                  | 1585*          | 39*                           | 37             |
| 2100 Lumens Designer           | 1047*                  | 1140*          | 50*                           | 21             |
| 3000 Lumens Designer           | 1476*                  | 1607*          | 49*                           | 30             |
| 2100 Lumens Standard & Vibrant | 1047                   | 1140           | 50                            | 21             |
| 3900 Lumens Standard & Vibrant | 1864*                  | 2029*          | 50*                           | 37             |

\*estimated values

### LIGHT OUTPUT MULTIPLIER

| LED Module Type                | Light Output Multiplier |
|--------------------------------|-------------------------|
| 2100 Lumens Artist             | 1.01*                   |
| 3000 Lumens Artist             | 1.39*                   |
| 2100 Lumens Designer           | 1*                      |
| 3000 Lumens Designer           | 1.41*                   |
| 2100 Lumens Standard & Vibrant | 1                       |
| 3900 Lumens Standard & Vibrant | 1.78*                   |

\*estimated values

### STANDARD DRIVER INFORMATION (UL Class 2, dry and damp location)

| Voltage   | 120                 | 277                |
|---|---------------------|--------------------|
| Input Watts (2100A/3000A/2100H/3000H/2100S&V/3900S&V lumens)      | 25/37/21/30/21/37   | 25/37/21/30/21/37  |
| Input Current(A) (2100A/3000A/2100H/3000H/2100S&V/3900S&V lumens) | .21/.31/18/25/18/31 | .09/13/08/11/08/13 |
| Min. Power Factor   | 0.90                | 0.90               |
| Operating Temperature Range (F)                                   | -13 to 122          | -13 to 122         |