

Project

Date

Product Code

Type

Designer



# IDM ARTIMA®/3 NSP

track mounted LED spotlight with integral dimmer



IDM Artima/3 NSP  
with Ring Baffle (OG)

IDM Artima/3 NSP  
with Open Aperture (OH)



aperture view



aperture view

- Fixtures may be configured to mount to any of eighteen 20-amp, 12-volt [track systems](#) – or – to any of six 277-volt track systems.
- Whether operated on 120-volt or 277-volt track, luminaire may be dimmed to 10% by an integral rotary dimmer located in the center of the housing top. Dimmer control shaft is spring loaded, permitting shaft to be expressed for adjustment and then depressed flush with the housing top, conserving dimmer setting. ‘Clock face’ markings permit registration of dimmer setting. (See illustrations below.)
- Fixture function can be changed with your choice of Quick Change Cartridge – which can be removed from the fixture easily – and your choice of ‘twist and lock’ reflector.
- Quick Change Cartridge / Reflector choices
  - Quick Change Cartridge with a ring baffle (OG) for narrow spot control; for use with a 10° or 24° reflector.
  - Quick Change Cartridge with an open aperture (OH) for maximum efficacy; for use with a 10° or 24° reflector.
- Fixture is provided with a single Quick Change Cartridge and a single reflector. Additional Quick Change Cartridges and reflectors may be ordered as accessories.
- An on-off rocker switch, mounted in the driver case, is included on 120-volt fixtures.
- **Optical Accessories:** Each Quick Change Cartridge accepts one or two of a number of spread lenses, color filters and screens. A complimentary Beam Smoother is included.
- Horizontal and vertical adjustment can be locked by tightening two collar clamps using a 3/32" hex key.
- For more information, [click here](#).

For an outlet box mounted model, see [IDM Artima/3 NSP-OBM](#).

IDM Artima/3 NSP is a track mounted spotlight powered by one of a number of 9mm Xicato LED modules. See tables below for wattages and efficacies.

## PRODUCT CODE

For complete product code, list basic unit and select one item from each following box.

Basic Unit ..... IDM-A3-XTS

### Quick Change Cartridge

Ring Baffle..... - OG  
Open Aperture ..... - OH

### Reflector (specify one to ship with fixture)

10° narrow spot..... - 10D  
24° spot..... - 24D

### Track Configuration

120-volt track (e.g. SightLine) ..... - 2C  
277-volt track (e.g. HighLine) ..... no switch; not dimmable ..... - HC

### Finish

white: white paint, white lead cord, matte aluminum heat sink; white switch..... - WH  
black: black paint, black lead cord, black heat sink; black switch ..... - BL  
Industrial Silver: silver paint, black lead cord, black heat sink; black switch..... - SI  
custom color: include paint number or physical chip with order and select one from below  
• white lead cord, matte aluminum heat sink; white switch ..... - CCW  
• black lead cord, black heat sink; black switch ..... - CCB  
• any other combinations require a special order

### Light Source Output (Lumens)

1300 lumens / CRI 98 Artist ..... - L13A  
1600 lumens ..... - L16A  
1400 lumens / CRI 80 Vibrant ..... 3000K only..... - L14V  
2000 lumens ..... 3000K only..... - L20V  
1400 lumens / CRI 80+ standard ..... - L14S  
2000 lumens ..... - L20S

### Light Color

2700 K ..... - 27K  
3000 K ..... - 30K  
3500 K ..... - 35K  
4000 K ..... - 40K

### Dimming Notes:

- Fixture may be dimmed only by its integral dimmer.
- Fixture cannot be dimmed by a dimmer of any kind on the track circuit.
- Fixture may be damaged by use of an incandescent or ELV dimmer on the track circuit.
- Fixture will not be dimmed or damaged by use of a 0-10V dimmer on the track circuit.

## EXTRA REFLECTORS & CARTRIDGES

Specify as separate line items.

Reflector  
10° spot reflector ..... XTS-REF10-72  
24° spot reflector ..... XTS-REF24-70

### Quick Change Cartridge

Ring Baffle..... A3-XTM-OG  
Open Aperture ..... A3-XTM-OH

## OPTICAL ACCESSORIES ▼ See next page



41-50 22<sup>ND</sup> STREET, LIC NY 11101 TEL 718.685.0700 FAX 718.786.8530 www.epl.com

©Copyright, Edison Price Lighting 2019  
Artima is a registered trademark of Edison Price Lighting.

TF 11-173.5 10:19

## DIMMER OPERATION



## OPTICAL ACCESSORIES

Specify as separate line items.

All are 2 3/4" (70mm) dia. Lenses and filters are glass; screens are aluminum.

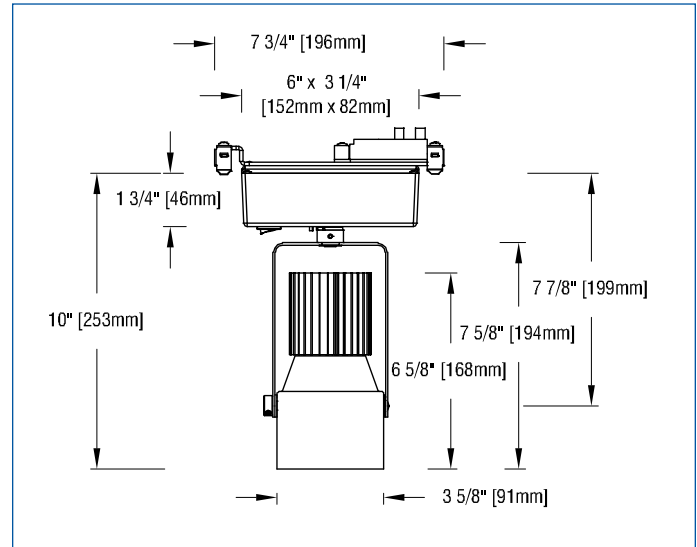
<b>diffuse glass</b> .....	DGS/2.75
<b>prismatic lens (Solite)</b> .....	PLS/2.75
<b>55° spread lens</b> .....	LENS/2.75
<b>40° x 70° spread lens</b> .....	LENS/2.75-4070
<b>beam smoother</b> .....	CLR/2.75
<b>color filters</b>	
Daylight Blue .....	DAY/2.75
Surprise Pink .....	PNK/2.75
blue .....	BLU/2.75
green .....	GRN/2.75
red .....	RED/2.75

## BARN DOORS

Specify as separate line items.

Specify with one optical accessory (not included), see above.

<b>white</b> .....	BD-A3-WH
<b>black</b> .....	BD-A3-BL
<b>silver</b> .....	BD-A3-SI
<b>custom color</b> .....	BD-A3-CC



## APPLICATIONS

Luminaire is listed for mounting on Edison Price Lighting 120-volt or 277-volt track.

**Fixture Spacing Requirements** The track adapter of this fixture is 7 3/4" long. For this reason 1) it cannot be track-mounted closer than 8" on center and 2) it cannot be used with 2 of our 7 **Unicep** single-fixture track units.

– see below for photometric reports –



## PHOTOMETRIC REPORT with 10° reflector (tested per IESNA LM-79-2008)



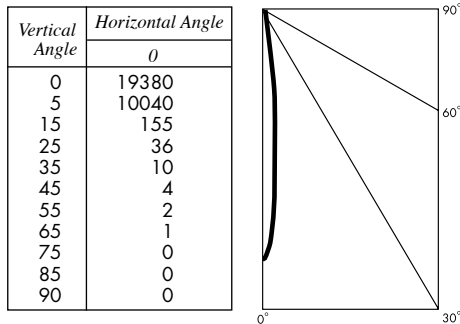
UL Verification Services Report No. 1222997. Original test report furnished upon request.

Luminaire ..... track-mounted LED accent light with a 10° reflector and black ring-baffle (NO LENS)

Lamp ..... Xicato 9mm XTM LED Module, 2000 lumens, 3000K

Lamp Life ..... rated 50.000 hours based on L70/B50 criteria. LM80 report by LED manufacturer furnished upon request

### CANDLEPOWER DISTRIBUTION



### LUMINAIRE LIGHT OUTPUT AND EFFICACY

LED Module Type	Luminaire Light Output	Luminaire CBCP	Luminaire Efficacy (lms/watt)	System Wattage
1300 Lumens Artist	505*	12723*	17*	30
1600 Lumens Artist	600*	15116*	16*	38
1400 Lumens Standard & Vibrant	538*	13566*	22*	24
2000 Lumens Standard & Vibrant	769	19380	21	38

\*estimated values

## PHOTOMETRIC REPORT with 24° reflector (tested per IESNA LM-79-2008)



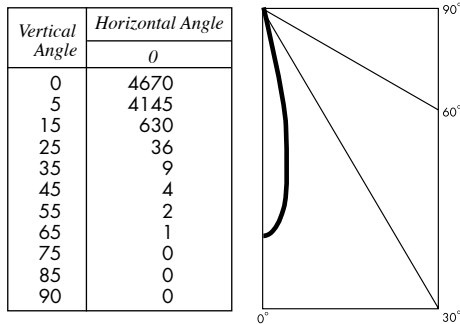
UL Verification Services Report No. 122998. Original test report furnished upon request.

Luminaire ..... track-mounted LED accent light with a 24° reflector and black ring-baffle (NO LENS)

Lamp ..... Xicato 9mm XTM LED Module, 2000 lumens, 3000K

Lamp Life ..... rated 50.000 hours based on L70/B50 criteria. LM80 report by LED manufacturer furnished upon request

### CANDLEPOWER DISTRIBUTION



### LUMINAIRE LIGHT OUTPUT AND EFFICACY

LED Module Type	Luminaire Light Output	Luminaire CBCP	Luminaire Efficacy (lms/watt)	System Wattage
1300 Lumens Artist	376*	3066*	12*	30
1600 Lumens Artist	447*	3643*	12*	38
1400 Lumens Standard & Vibrant	401*	3269*	17*	24
2000 Lumens Standard & Vibrant	573	4670	15	38

\*estimated values

## STANDARD DRIVER INFORMATION (UL Class 2, dry and damp location)

Voltage	120	277
Input Watts (L13A/L16A/L14S&V/L20S&V)	30/38/24/38	30/38/24/38
Input Current(A) (L13A/L16A/L14S&V/L20S&V)	.25/.32/.20/.32	.11/.14/.09/.14
Min. Power Factor	.99	.99
Operating Temperature Range (F)	-13 to 122	-13 to 122

## LIGHT OUTPUT MULTIPLIER

LED Module Type	Light Output Multiplier
1300 Lumens Artist	.65*
1600 Lumens Artist	.78*
1400 Lumens Standard & Vibrant	.70*
2000 Lumens Standard & Vibrant	1.0

## PHOTOMETRIC REPORT with 10° reflector (tested per IESNA LM-79-2008)



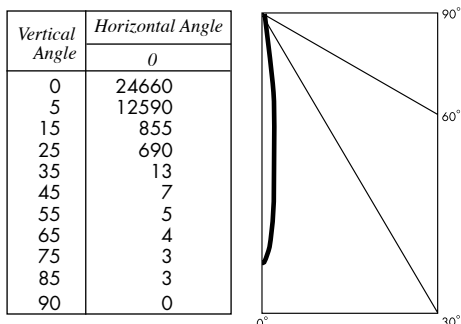
Verification Services Report No. 1222995. Original test report furnished upon request.

Luminaire ..... track-mounted LED accent light with 10° reflector and black lens holder (NO LENS)

Lamp ..... Xicato LED Module, 2000 lumens, 3000K

Lamp Life ..... Rated 50,000 hours based on L70/B50 criteria. LM80 report by LED manufacturer furnished upon request

### CANDLEPOWER DISTRIBUTION



### LUMINAIRE LIGHT OUTPUT AND EFFICACY

LED Module Type	Luminaire Light Output	Luminaire CBCP	Luminaire Efficacy (lms/watt)	System Wattage
1300 Lumens Artist	933*	16189*	31*	30
1600 Lumens Artist	1108*	19235*	29*	38
1400 Lumens Standard & Vibrant	995*	17262*	41*	24
2000 Lumens Standard & Vibrant	1421	24660	38	38

\*estimated values

## PHOTOMETRIC REPORT with 24° reflector (tested per IESNA LM-79-2008)



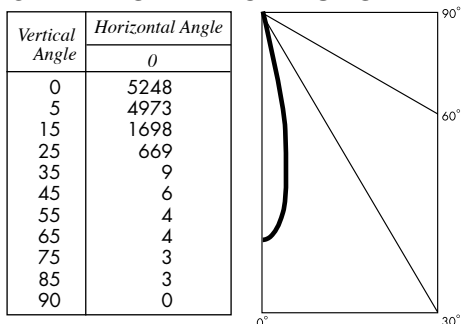
Verification Services Report No. 122996. Original test report furnished upon request.

Luminaire ..... track-mounted LED accent light with 24° reflector and black lens holder (NO LENS)

Lamp ..... Xicato LED Module, 2000 lumens, 3000K

Lamp Life ..... Rated 50,000 hours based on L70/B50 criteria. LM80 report by LED manufacturer furnished upon request

### CANDLEPOWER DISTRIBUTION



### LUMINAIRE LIGHT OUTPUT AND EFFICACY

LED Module Type	Luminaire Light Output	Luminaire CBCP	Luminaire Efficacy (lms/watt)	System Wattage
1300 Lumens Artist	833*	3445*	27*	30
1600 Lumens Artist	990*	4093*	26*	38
1400 Lumens Standard & Vibrant	888*	3674*	37*	24
2000 Lumens Standard & Vibrant	1269	5248	34	38

\*estimated values