

Project

Type



Date

Product Code

Designer

# IDM ARTIMA<sup>®</sup>/5 VN5P LH-OBM

surface mounted LED open-aperture 5° spotlight with integral dimmer



- Luminaire is designed for mounting on a 4" octagonal outlet box (by others).
- Whether operated on 120-volt or 277-volt track, luminaire may be dimmed to 10% by an integral rotary dimmer located on one side of the driver case. Dimmer control shaft is spring loaded, permitting shaft to be exposed for adjustment and then depressed flush with the driver case to conserve dimmer setting. 'Clock face' markings permit registration of dimmer setting. (See illustrations below.)
- Bluetooth controls and integral rotary dimmer can be specified together in the same fixture. Users can dim by the protocol of their choice, switching between the two options as desired.
- Driver case measures 6 1/8" long x 3 5/8" wide x 2" high.
- Optical assembly consists of an integral 5° reflector and a matte black lens holder which reduces spill light and permits the use of one or two [Optical Accessories](#) including lenses, color filters and screens. A complimentary Beam Smoother is included. Lens holder is spring-mounted for easy removal and adjustment.
- Luminaire provides 385° horizontal rotation and vertical adjustment from 0° to 90°. Lamp focus can be locked by tightening two collar clamps using a 9/64" hex key.
- For more information, [click here](#).

IDM Artima/5 VN5P LH-OBM is a surface mounted 5° spotlight powered by two sets of chip-on-board LED modules, one set providing a CRI of 98 and one a CRI of 80+, both within 2-step MacAdam ellipses, capable of a nearly 150,000 CBCP! See tables below for wattages and efficacies.

## PRODUCT CODE

For complete product code, list basic unit and select one item from each following box.

|  |  |
|--|--|
| <b>Basic Unit</b> .....  | IDM-A5-CLT-OB-OH                                       |
| <b>Finish</b>  |  |
| white: white paint, white lead cord, matte aluminum heat sink .....                          | - WH   |
| black: black paint, black lead cord, black heat sink .....                                   | - BL   |
| Industrial Silver: silver paint, black lead cord, black heat sink .....                      | - SI   |
| custom color: include physical chip with order and select one from below                     |  |
| • white lead cord, matte aluminum heat sink .....  | - CCW  |
| • black lead cord, black heat sink .....   | - CCB  |
| • any other combinations require a special order   |  |
| <b>Light Source Output (Lumens)</b>  |  |
| 2000L / CRI 98 .....   | not available with 5000K .....                         |
| 2700L / CRI 80+ .....  | - L20A   |
|  | - L27S   |
| <b>Light Color</b>   |  |
| 2700 K .....   | - 27K  |
| 3000 K .....   | - 30K  |
| 3500 K .....   | - 35K  |
| 4000 K .....   | - 40K  |
| 5000 K .....   | not available with all Light Outputs (see above) ..... |
|  | - 50K  |
| <b>Dimming Notes:</b>  |  |
| • Fixture may be dimmed only by its integral dimmer.   |  |
| • Fixture cannot be dimmed by a dimmer of any kind on the fixture circuit.                   |  |
| • Fixture may be damaged by use of an incandescent or ELV dimmer on the fixture circuit.     |  |
| • Fixture will not be dimmed or damaged by use of a 0-10V dimmer on the fixture circuit.     |  |
| • Combination with wireless Bluetooth controls available on <a href="#">Bluetooth</a> model. |  |

## OPTICAL ACCESSORIES ▼ See next page

### Warranty Details

- This fixture is not suitable for use in direct sunlight, as under a skylight. Fixtures used in this way are not covered by our warranty.
- Our 5-year warranty does not include the provision of extraordinary means of access, e.g. scaffolding or Genie lifts, to service a product.



41-50 22<sup>ND</sup> STREET, LIC NY 11101 TEL 718.685.0700 FAX 718.786.8530 www.epl.com

©Copyright, Edison Price Lighting 2020

Artima is a registered trademark of Edison Price Lighting.

LED 0-259.4

2:20

## DIMMER OPERATION



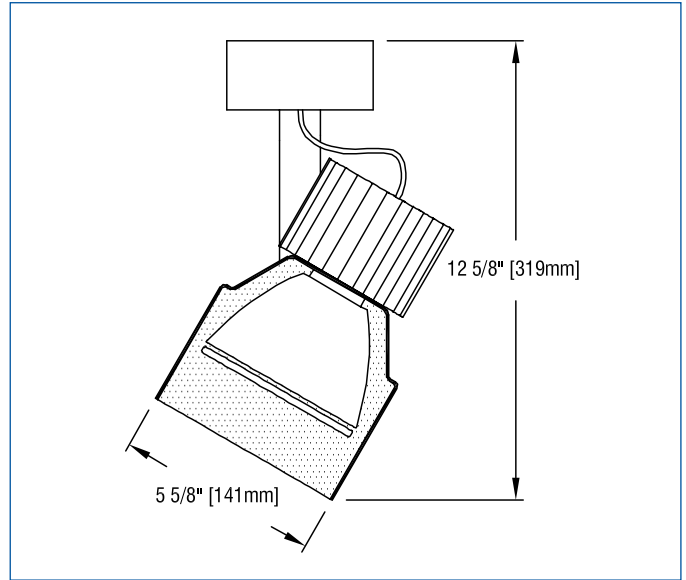
## OPTICAL ACCESSORIES

Suitable for use only with 'OG' model luminaire with lens clips.

Specify as separate items.

All are 4 3/4" (121 mm) diameter. Lenses and filters are glass; screens are aluminum.

|   |                |
|---|----------------|
| <b>30° spread lens</b> .....            | LENS/4.75-30   |
| <b>20° x 55° spread lens</b> .....      | LENS/4.75      |
| <b>70° spread lens</b> .....            | LENS/4.75-70   |
| <b>prismatic lens (Solite)</b> .....    | PLS/4.75       |
| <b>40° x 70° spread lens</b> .....      | LENS/4.75-4070 |
| <b>beam smoother</b> .....              | CLR/4.75       |
| <b>color filters</b>                    |                |
| Daylight Blue .....                     | DAY/4.75       |
| Surprise Pink .....                     | PNK/4.75       |
| amber .....                             | AMB/4.75       |
| blue .....                              | BLU/4.75       |
| green .....                             | GRN/4.75       |
| red .....                               | RED/4.75       |
| <b>33% light reduction screen</b> ..... | SCR33/4.75     |
| <b>50% light reduction screen</b> ..... | SCR50/4.75     |



## BARN DOORS

Specify as separate line items.

Specify with one optical accessory (not included), see above.

|                           |          |
|---------------------------|----------|
| <b>white</b> .....        | BD-A5-WH |
| <b>black</b> .....        | BD-A5-BL |
| <b>silver</b> .....       | BD-A5-SI |
| <b>custom color</b> ..... | BD-A5-CC |



## APPLICATIONS

Luminaire is suitable for spotlighting objects in museums, galleries, showrooms, residences, offices and stores.

Luminaire is listed for Damp Location mounting on a standard 4" octagonal outlet box (by others).

– see below for photometric reports –



## PHOTOMETRIC REPORT (tested per IESNA LM-79-2008)

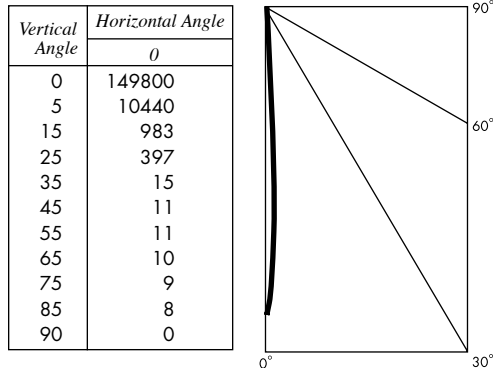
Prorated from Verification Services Report No. 12139550. Original test report furnished upon request.

Luminaire ..... surface-mounted LED accent light with a 5° reflector and black lens holder (NO LENS)

Lamp ..... Cree LED, 2700 lumens, 3000K CCT

Lamp Life ..... rated 50,000 hours based on L70/B50 criteria. LM80 report by LED manufacturer furnished upon request

### CANDLEPOWER DISTRIBUTION



### LUMINAIRE LIGHT OUTPUT AND EFFICACY

| LED Module Type           | Luminaire Light Output | Luminaire CBCP | Luminaire Efficacy (lumens/watt) | System Wattage |
|---------------------------|------------------------|----------------|----------------------------------|----------------|
| 2700 Lumens 80 CRI (L27S) | 1894                   | 149,800        | 67                               | 28             |
| 2000 Lumens 98 CRI (L20A) | 1421*                  | 112,350*       | 51*                              | 28             |

\*estimated values

### STANDARD DRIVER INFORMATION

(UL Class 2, dry and damp location)

| Voltage                         | 120       | 277       |
|---------------------------------|-----------|-----------|
| Input Watts (L27S/L20A)         | 28/28     | 28/28     |
| Input Current (A) (L27S/L20A)   | .23/23    | .10/10    |
| Output Current (mA)             | 350-700   | 350-700   |
| Min. Power Factor               | 0.90      | 0.90      |
| Operating Temperature Range (F) | -4 to 122 | -4 to 122 |

### LIGHT OUTPUT MULTIPLIER

(based on 2700 lumens 80 CRI option)

| LED Module                | Light Output Multiplier |
|---------------------------|-------------------------|
| 2700 Lumens 80 CRI (L27S) | 1                       |
| 2000 Lumens 98 CRI (L20A) | .75*                    |

\*estimated values