

Project

Type



Date Product Code

Designer

IDM ARTIMA[®]/5 VN[®]SP

track mounted LED 5° spotlight with integral dimmer



IDM Artima/5 VN[®]SP is a track mounted 5° spotlight powered by two sets of chip-on-board LED modules, one set providing a CRI of 98 and one a CRI of 80+, both within 2-step MacAdam ellipses, capable of CBCP as high as 114,900! See tables below for wattages and efficacies.

PRODUCT CODE

For complete product code, list basic unit and select one item from each following box.

Basic Unit	IDM-A5-CLT
Track Configuration	
120-volt track (e.g. SightLine)	- 2C
277-volt track (e.g. HighLine)	no switch; not dimmable - HC
Finish	
white: white paint, white lead cord, matte aluminum heat sink; white switch	- WH
black: black paint, black lead cord, black heat sink; black switch	- BL
Industrial Silver: silver paint, black lead cord, black heat sink; black switch	- SI
custom color: include paint number or physical chip with order and select one from below	
• white lead cord, matte aluminum heat sink; white switch	- CCW
• black lead cord, black heat sink; black switch	- CCB
• any other combinations require a special order	

- Luminaire may be configured to mount to any of eighteen 20-amp, 120-volt track systems – or – to any of six 277-volt track systems.
- Whether operated on 120-volt or 277-volt track, luminaire may be dimmed to 10% by an integral rotary dimmer located on one side of the driver case. Dimmer control shaft is spring loaded, permitting shaft to be exposed for adjustment and then depressed flush with the driver case to conserve dimmer setting. ‘Clock face’ markings permit registration of dimmer setting. (See illustrations below.)
- Bluetooth controls and integral rotary dimmer can be specified together in the same fixture. Users can dim by the protocol of their choice, switching between the two options as desired.
- Fixture appearance and performance can be changed with your choice of Aperture Assembly.
- Aperture Assembly choices
 - Ring Baffle (OP) for enhanced glare control (not shown above).
 - Ring Baffle with lens clips (OG) for enhanced glare control; clips accept one or two Optical Accessories including spread lenses, filters and screens.
 - Open Aperture (OH) for maximum efficacy; concealed lens holder accepts one or two Optical Accessories.
- Optical Accessories: Both OG and OH Aperture Assemblies accept one or two of a number of spread lenses or color filters. A complimentary beam smoother is included with either assembly.
- Luminaire provides 385° horizontal rotation and vertical adjustment from 0° to 90°. Lamp focus can be locked by tightening two collar clamps using a 9/64" hex key.
- For more information, [click here](#).

Aperture Assembly	
Ring Baffle without Optical Accessory clips (not shown)	- OP
Ring Baffle with Optical Accessory clips	- OG
Open Aperture	- OH

Light Source Output (Lumens)	
2000L / CRI 98	not available with 5000K - L20A
2700L / CRI 80+	- L27S

Light Color	
2700 K	- 27K
3000 K	- 30K
3500 K	- 35K
4000 K	- 40K
5000 K	not available with all Light Outputs (see above) - 50K

Dimming Notes:	
• Fixture may be dimmed only by its integral dimmer.	
• Fixture cannot be dimmed by a dimmer of any kind on the track circuit.	
• Fixture may be damaged by use of an incandescent or ELV dimmer on the track circuit.	
• Fixture will not be dimmed or damaged by use of a 0-10V dimmer on the track circuit.	
• Combination with wireless Bluetooth controls available on Bluetooth model.	

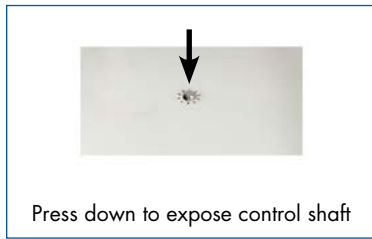
For the outlet box mounted version of luminaire, see [IDM Artima/5 VN[®]SP-OBM](#).

Warranty Details
• This fixture is not suitable for use in direct sunlight, as under a skylight. Fixtures used in this way are not covered by our warranty.
• Our 5-year warranty does not include the provision of extraordinary means of access, e.g. scaffolding or Genie lifts, to service a product.

OPTICAL ACCESSORIES ▼ See next page



DIMMER OPERATION



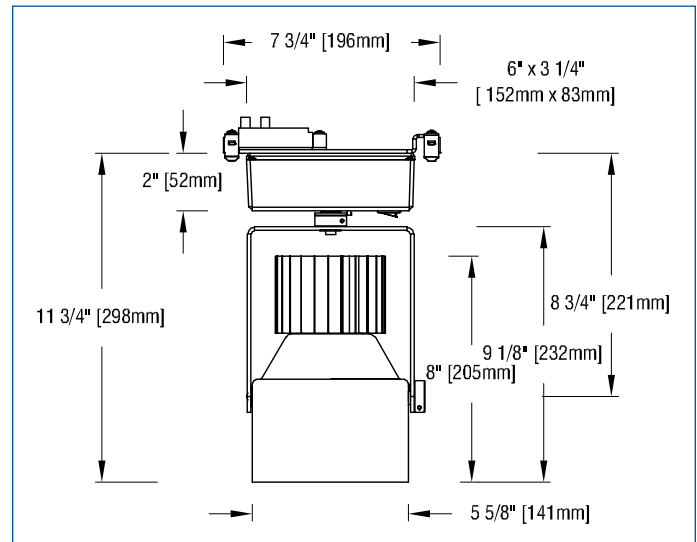
OPTICAL ACCESSORIES

Suitable for use only with 'OG' and 'OH' models.

Specify as separate items.

All are 4 3/4" (121 mm) diameter. Lenses and filters are glass; screens are aluminum.

30° spread lens	LENS/4.75-30
20° x 55° spread lens	LENS/4.75
70° spread lens	LENS/4.75-70
prismatic lens (Solite)	PLS/4.75
40° x 70° spread lens	LENS/4.75-4070
beam smoother	CLR/4.75
color filters	
Daylight Blue	DAY/4.75
Surprise Pink	PNK/4.75
amber	AMB/4.75
blue	BLU/4.75
green	GRN/4.75
red	RED/4.75
33% light reduction screen	SCR33/4.75
50% light reduction screen	SCR50/4.75



APPLICATIONS

Luminaire is suitable for spotlighting objects in museums, galleries, showrooms, residences, offices and stores.

Luminaire is listed for mounting on Edison Price Lighting 120-volt or 277-volt track.

Fixture Spacing Requirements The track adapter of this fixture is 7 3/4" long. For this reason 1) it cannot be track-mounted closer than 8" on center and 2) it cannot be used with 2 of our 7 Unicep single-fixture track units.

– see below for photometric reports –



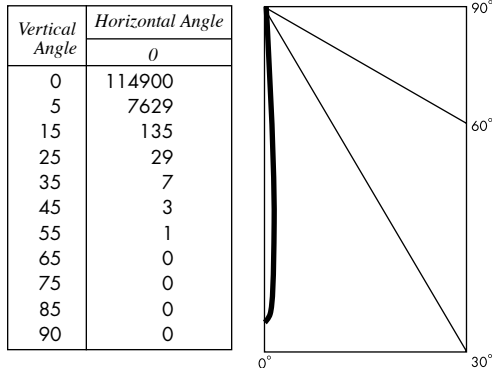
PHOTOMETRIC REPORT (tested per IESNA LM-79-2008)

Prorated from Verification Services Report No. 12092412. Original test report furnished upon request.

Luminaire track-mounted LED accent light with a 5° reflector and black ring baffle (NO LENS)
 Lamp Cree LED, 2700 lumens, 3000K CCT
 Lamp Life rated 50,000 hours based on L70/B50 criteria. LM80 report by LED manufacturer furnished upon request



CANDLEPOWER DISTRIBUTION



LUMINAIRE LIGHT OUTPUT AND EFFICACY

LED Module Type	Luminaire Light Output	Luminaire CBCP	Luminaire Efficacy (lumens/watt)	System Wattage
2700 Lumens 80 CRI (L27S)	1082	114,900	38	28
2000 Lumens 98 CRI (L20A)	812*	86,175*	29*	28

*estimated values

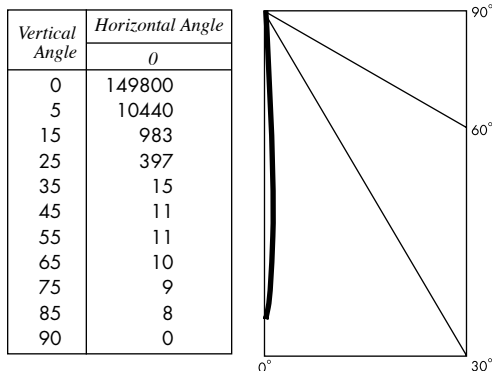
PHOTOMETRIC REPORT (tested per IESNA LM-79-2008)

Prorated from Verification Services Report No. 12139550. Original test report furnished upon request.

Luminaire track-mounted LED accent light with a 5° reflector and black lens holder (NO LENS)
 Lamp Cree LED, 2700 lumens, 3000K CCT
 Lamp Life rated 50,000 hours based on L70/B50 criteria. LM80 report by LED manufacturer furnished upon request



CANDLEPOWER DISTRIBUTION



LUMINAIRE LIGHT OUTPUT AND EFFICACY

LED Module Type	Luminaire Light Output	Luminaire CBCP	Luminaire Efficacy (lumens/watt)	System Wattage
2700 Lumens 80 CRI (L27S)	1894	149,800	67	28
2000 Lumens 98 CRI (L20A)	1421*	112,350*	51*	28

*estimated values

STANDARD DRIVER INFORMATION

(UL Class 2, dry and damp location)

Voltage	120	277
Input Watts (L27S/L20A)	28/28	28/28
Input Current (A) (L27S/L20A)	.23/23	.10/10
Output Current (mA)	350-700	350-700
Min. Power Factor	0.90	0.90
Operating Temperature Range (F)	-4 to 122	-4 to 122

LIGHT OUTPUT MULTIPLIER

(based on 2700 lumens 80 CRI option)

LED Module	Light Output Multiplier
2700 Lumens 80 CRI (L27S)	1
2000 Lumens 98 CRI (L20A)	.75*

*estimated values