

Project

Type



Date

Product Code

Designer

# IDM ARTIMA®/5 CZS O-OBM

surface mounted LED cross-baffled accent light with integral dimmer



- Luminaire is designed for mounting on a 4" octagonal outlet box (by others).
- Whether operated on 120-volt or 277-service, luminaire may be dimmed to 10% by an integral rotary dimmer located on one side of the driver case. Dimmer control shaft is spring loaded, permitting shaft to be exposed for adjustment and then depressed flush with the driver case to conserve dimmer setting. 'Clock face' markings permit registration of dimmer setting. (See illustrations below.)
- Driver case measures 5 1/2" long x 4" wide x 1 7/8" high.
- A matte black cross-baffle assembly controls surface brightness and reduces spill light. Lens orientation may be adjusted from below by rotating cross-baffles. The cross-baffle assembly is spring mounted but keyed relative to the fixture housing, to retain lens orientation once set.
- Beam spread is changed by removing the cross-baffle assembly, replacing one 'twist and lock' reflector with another, and re-inserting the cross-baffle assembly. Luminaire is ordered with a single reflector; one or both of the other reflectors may be ordered as accessories.
- Luminaire provides 385° horizontal rotation and vertical adjustment from 0° to 90°. Lamp focus can be locked by tightening two collar clamps using a 9/64" hex key.
- Luminaire accepts one or two of a number of [Optical Accessories](#), including spread lenses, color filters and light reduction screens. A complimentary Beam Smoother is included.
- For more information, [click here](#).

IDM Artima/5 CZS O-OBM is a surface mounted cross-baffled accent light capable of 16° to 40° beam spreads. Luminaire is powered by Citizen chip-on-board LED's providing either a CRI of 97 within 2-step MacAdam ellipses or a CRI of 80 within 3-step MacAdam ellipses. See tables on reverse for wattages and efficacies.

## PRODUCT CODE

For complete product code, list basic unit and select one item from each following box.

Basic Unit .....	IDM-A5*CZS2-OB-OX
<b>Beam Spread Reflector</b> (specify one to ship with fixture)	
16° spot .....	- 16D
28° narrow flood.....	- 28D
40° flood.....	- 40D
<b>Finish</b>	
white: white paint, white lead cord, matte aluminum heat sink .....	- WH
black: black paint, black lead cord, black heat sink .....	- BL
Industrial Silver: silver paint, black lead cord, black heat sink .....	- SI
custom color: include physical chip with order and select one from below	
• white lead cord, matte aluminum heat sink .....	- CCW
• black lead cord, black heat sink .....	- CCB
• any other combinations require a special order	
<b>Light Source Output</b> (Lumens)	
2800 lumens/97 CRI .....	2700K & 3000K only..... - L28A
3600 lumens/80 CRI .....	- L36S
<b>Light Color</b>	
2700 K .....	- 27K
3000 K .....	- 30K
3500 K .....	not available with all Light Outputs (see above)..... - 35K
4000 K .....	not available with all Light Outputs (see above)..... - 40K
5000 K .....	not available with all Light Outputs (see above)..... - 50K
<b>Dimming Notes:</b>	
<ul style="list-style-type: none"> <li>• Fixture may be dimmed only by its integral dimmer.</li> <li>• Fixture cannot be dimmed by a dimmer of any kind on the fixture circuit.</li> <li>• Fixture may be damaged by use of an incandescent or ELV dimmer on the fixture circuit.</li> <li>• Fixture will not be dimmed or damaged by use of a 0-10V dimmer on the fixture circuit.</li> </ul>	
▶ For luminaires modified for 50A or 60A track systems, contact factory.	
<b>EXTRA REFLECTORS</b> Specify as separate line items.	
16° spot reflector .....	A5-CZS-REF16
28° narrow flood reflector .....	A5-CZS-REF28
40° flood reflector.....	A5-CZS-REF40

## OPTICAL ACCESSORIES ▼ See next page

### Warranty Details

- This fixture is not suitable for use in direct sunlight, as under a skylight. Fixtures used in this way are not covered by our warranty.
- Our 5-year warranty does not include the provision of extraordinary means of access, e.g. scaffolding or Genie lifts, to service a product.



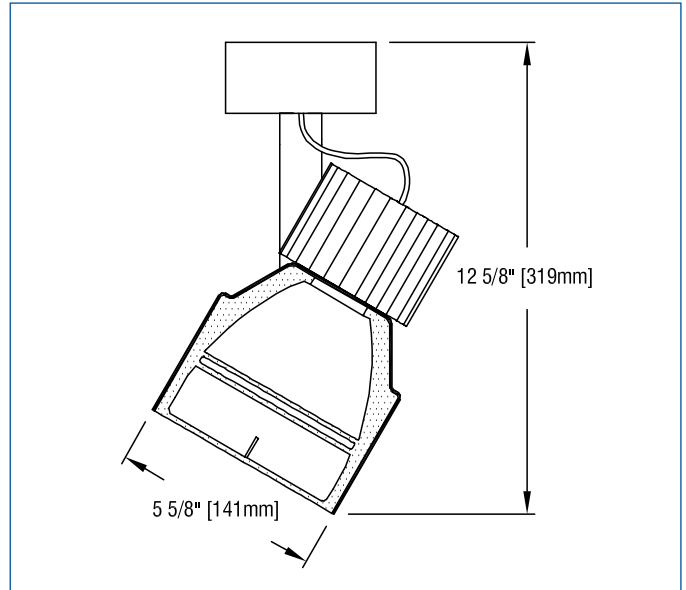
## DIMMER OPERATION



## OPTICAL ACCESSORIES

Specify as separate line items; only for use with one of the above.  
All are 4 3/4" (121 mm) diameter. Lenses and filters are glass; screens are aluminum.

<b>30° spread lens</b> .....	LENS/4.75-30
<b>20° x 55° spread lens</b> .....	LENS/4.75
<b>70° spread lens</b> .....	LENS/4.75-70
<b>prismatic lens (Solite)</b> .....	PLS/4.75
<b>40° x 70° spread lens</b> .....	LENS/4.75-4070
<b>beam smoother</b> .....	CLR/4.75
<b>color filters</b>	
Daylight Blue .....	DAY/4.75
Surprise Pink .....	PNK/4.75
amber .....	AMB/4.75
blue .....	BLU/4.75
green .....	GRN/4.75
red .....	RED/4.75
<b>33% light reduction screen</b> .....	SCR33/4.75
<b>50% light reduction screen</b> .....	SCR50/4.75



## BARN DOORS

Specify as separate line items.  
Specify with one optical accessory (not included), see above.

<b>white</b> .....	BD-A5-WH
<b>black</b> .....	BD-A5-BL
<b>silver</b> .....	BD-A5-SI
<b>custom color</b> .....	BD-A5-CC



## APPLICATIONS

Luminaire is suitable for highlighting vertical or horizontal surfaces, as well as objects in museums, galleries, showrooms, residences, offices and stores.

Luminaire is listed for mounting on a standard 4" octagonal outlet box (by others).

– see below for photometric reports –

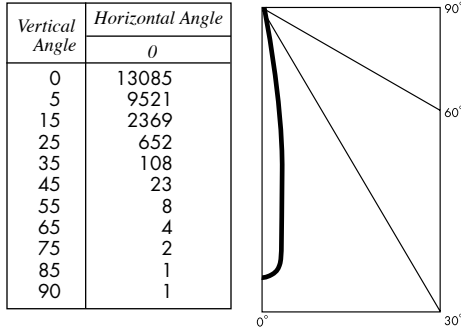


## PHOTOMETRIC REPORT with 16° reflector (tested per IESNA LM-79-2008)

Prorated from Verification Services Report No. 12186406.04. Original test report furnished upon request.

Luminaire ..... surface-mounted LED accent light with a 16° reflector and black cross-baffle (NO LENS)  
 Lamp ..... Citizen LED, 3600 lumens, 3000K CCT  
 Lamp Life ..... rated 50.000 hours based on L70/B50 criteria. LM80 report by LED manufacturer furnished upon request

### CANDLEPOWER DISTRIBUTION



### LUMINAIRE LIGHT OUTPUT AND EFFICACY

LED Module Type	Luminaire Light Output	Luminaire CBCP	Luminaire Efficacy (lumens/watt)	System Wattage
3600 Lumens 80 CRI (L36S)	1870*	13,085*	69*	27
2800 Lumens 97 CRI (L28A)	1422*	9952*	53*	27

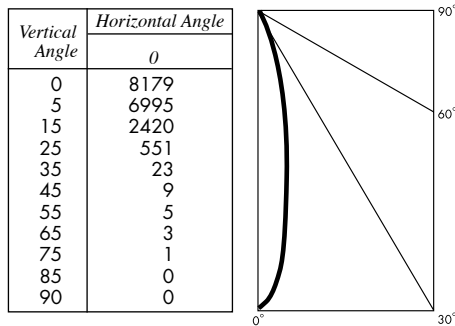
\*estimated values

## PHOTOMETRIC REPORT with 28° reflector (tested per IESNA LM-79-2008)

Verification Services Report No. 12186406.06. Original test report furnished upon request.

Luminaire ..... surface-mounted LED accent light with a 28° reflector and black cross-baffle (NO LENS)  
 Lamp ..... Citizen LED, 3600 lumens, 3000K Lamp Life..... see above

### CANDLEPOWER DISTRIBUTION



### LUMINAIRE LIGHT OUTPUT AND EFFICACY

LED Module Type	Luminaire Light Output	Luminaire CBCP	Luminaire Efficacy (lumens/watt)	System Wattage
3600 Lumens 80 CRI (L36S)	1614*	8179*	60*	27
2800 Lumens 97 CRI (L28A)	1227*	6221*	45*	27

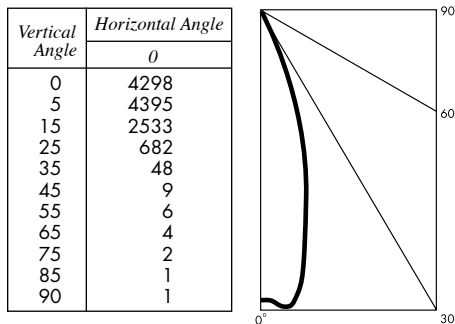
\*estimated values

## PHOTOMETRIC REPORT with 40° reflector (tested per IESNA LM-79-2008)

Verification Services Report No. 12186406.08. Original test report furnished upon request.

Luminaire ..... surface-mounted LED accent light with a 40° reflector and black cross-baffle (NO LENS)  
 Lamp ..... Citizen LED, 3600 lumens, 3000K Lamp Life..... see above

### CANDLEPOWER DISTRIBUTION



### LUMINAIRE LIGHT OUTPUT AND EFFICACY

LED Module Type	Luminaire Light Output	Luminaire CBCP	Luminaire Efficacy (lumens/watt)	System Wattage
3600 Lumens 80 CRI (L36S)	1497*	4395*	55*	27
2800 Lumens 97 CRI (L28A)	1139*	3343*	42*	27

\*estimated values

## STANDARD DRIVER INFORMATION (UL Class 2, dry and damp loca-

Voltage	120	277
Input Watts (L36S/L28A)	27/27	27/27
Input Current(A) (L36S/L28A)	.23/.23	.10/.10
Output Current (mA)	500-1100	500-1100
Min. Power Factor	0.90	0.90
Operating Temperature Range (F)	-4 to 122	-4 to 122

## LIGHT OUTPUT MULTIPLIER

LED Module Type	Light Output Multiplier
3600 Lumens 80 CRI (L36S)	1.0
2800 Lumens 97 CRI (L28A)	0.76*

\*estimated values