

IDM MAXIMA® HI W-OBM

surface mounted high-powered LED wallwasher with integral dimmer



- Whether operated on 120-volt or 277-volt track, luminaire may be dimmed to 10% by an integral rotary dimmer located in the center of the housing top. Dimmer control shaft is spring loaded, permitting shaft to be expressed for adjustment and then depressed flush with the housing top to conserve dimmer setting. 'Clock face' markings permit registration of dimmer setting. (See illustrations below.)
- The optical assembly consists of an aluminum reflector and a 40° x 70° spread lens. In addition, the assembly can accept one of a number of optional [Optical Accessories](#) including color filters and screens. Assembly is keyed relative to luminaire housing, to retain critical lens orientation.
- A concealed swivel provides 385° horizontal rotation and vertical adjustment from 0° to 90°. The swivel is permanently tensioned, allowing the luminaire to remain fixed at any aiming angle.
- Maxima luminaires have seamless aluminum housings and cast aluminum tops for lightweight durability and heat dissipation.
- For more information, [click here](#).

IDM Maxima Hi W-OBM is a wallwasher designed for mounting on a 4" octagonal outlet box. Luminaire is powered by one of a number of Citizen chip-on-board LED modules. See tables below for wattages and efficacies.

PRODUCT CODE

For complete product code, list basic unit and select one item from each following box.

Basic Unit	IDM- MX-CZL2-W-OB	
Finish		
white paint finish	- WH	
black paint finish	- BL	
Industrial Silver paint finish	- SI	
custom color paint finish.. include paint number or physical chip with order ..	- CC	
Light Source Output (Lumens)		
2800 lumens / 97 CRI	2700K & 3000K only	- L28A
3600 lumens / 80 CRI		- L36S

Light Color		
2700 K	- 27K	
3000 K	- 30K	
3500 K	not available with all Light Outputs (see above)	- 35K
4000 K	not available with all Light Outputs (see above)	- 40K

Dimming Notes:	
• Fixture may be dimmed only by its integral dimmer.	
• Fixture cannot be dimmed by a dimmer of any kind on the track circuit.	
• Fixture may be damaged by use of an incandescent or ELV dimmer on the track circuit.	
• Fixture will not be dimmed or damaged by use of a 0-10V dimmer on the track circuit.	

OPTICAL ACCESSORIES ▼ See next page



DIMMER OPERATION



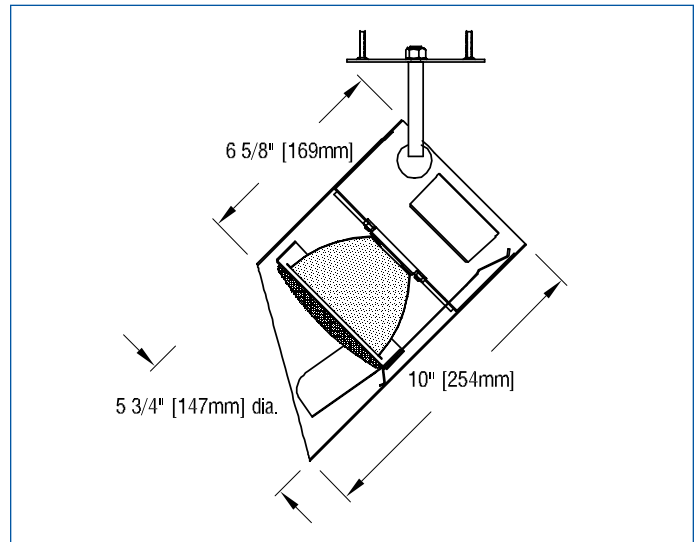
OPTICAL ACCESSORIES

Specify as separate line items; only for use with one of the above.
All are 4 3/4" (121mm) diameter. Lenses and filters are glass; screens are aluminum.

40° x 70° spread lens (included with fixture) LENS/4.75-4070

color filters

- Daylight Blue DAY/4.75
- Surprise Pink PNK/4.75
- amber AMB/4.75
- blue BLU/4.75
- green GRN/4.75
- red RED/4.75
- 33% light reduction screen** SCR33/4.75
- 50% light reduction screen** SCR50/4.75



APPLICATIONS

Luminaire is suitable for highlighting vertical surfaces in museums, galleries, showrooms, residences, offices and stores.

Luminaire is listed for Damp Location mounting on a standard 4" octagonal outlet box (by others).

– see below for photometric reports –



PHOTOMETRIC REPORT (tested per IESNA LM-79-2008)

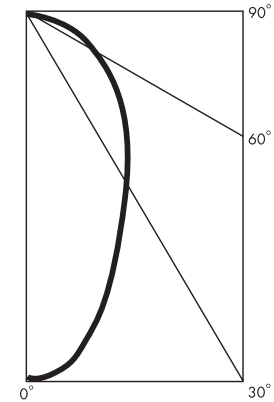
Verification Services Report No. 12186406.01. Original test report furnished upon request.

Luminaire surface-mounted LED wallwasher with an internal reflector, a 40° x 70° spread lens and a specular kicker reflector.
 Lamp Citizen LED Module, 4000 lumens, 3000K
 Lamp Life rated 50.000 hours based on L70/B50 criteria. LM80 report by LED manufacturer furnished upon request

WALLWASH INFORMATION

Distance From Ceiling (Feet)	5' From Wall; 5' O.C.		5' 6" From Wall; 5' 6" O.C.		6' From Wall; 6' O.C.	
	Below Fixture	Between Fixtures	Below Fixture	Between Fixtures	Below Fixture	Between Fixtures
1	25	22	20	18	17	15
2	31	27	25	22	20	18
3	34	31	27	25	22	20
4	32	32	28	26	24	22
5	31	30	26	26	22	22
6	28	28	24	24	21	21
7	25	24	22	22	20	19
8	21	21	20	19	18	18
9	18	18	17	17	16	16
10	16	16	15	15	14	14
11	13	13	13	13	13	12
12	11	11	11	11	11	11
13	10	10	10	10	10	9
14	8	8	8	8	8	8
15	7	7	7	7	7	7
16	6	6	6	6	6	6
17			6	6	6	6
18			5	5	5	5
19					4	4
20					4	4

CANDLEPOWER DISTRIBUTION



This table lists initial illuminance values at the center of a row of at least 5 fixtures with no contribution from ceiling or floor reflectance. Fixtures were modeled with maximum candlepower at 20° above vertical.

STANDARD DRIVER INFORMATION (UL Class 2, dry and damp location)

Voltage	120	277
Input Watts (L52S/L40A lumens)	40/40	40/40
Input Current(A) (L52S/L40A lumens)	.33/.33	.14/.14
Output Current (mA)	350-800	350-800
Min. Power Factor	0.99	0.90
Operating Temperature Range (F)	-4 to 122	-4 to 122

LIGHT OUTPUT MULTIPLIER

LED Module Type	Light Output Multiplier
5200 lumens 80 CRI	1
4000 lumens 97 CRI	0.77*

*estimated value

LUMINAIRE LIGHT OUTPUT AND EFFICACY

LED Module Type	Luminaire Light Output	Luminaire Efficacy (lumens/watt)	System Wattage
5200 lumens 80 CRI	2327	58	40
4000 lumens 97 CRI	1792*	45*	40

*estimated values