



# IDM MAXIMA® HI O

track mounted high-powered LED accent light with integral dimmer



IDM Maxima Hi O is a track mounted high ceiling accent light capable of 15°, 21° or 38° beam spreads. Luminaire is powered by one of a number of Citizen chip-on-board LED modules. See tables below for wattages and efficacies.

- Luminaire may be configured to mount to any of eighteen 20-amp, 120-volt [track systems](#) – or – to any of six 277-volt track systems.
- Fixture function can be changed with your choice of Aperture Assembly and your choice of 'twist and lock' [reflector](#).
- Aperture Assembly / Reflector choices
  - Cross Baffle (OX) for enhanced glare control ; for use with interchangeable 15°, 21° and 38° reflectors.
  - Open Aperture (OH) for maximum efficacy; for use with interchangeable 15°, 21° and 38° reflectors.

Fixture is ordered with a single Aperture Assembly and a single reflector. Additional aperture assemblies and reflectors may be ordered as accessories.

- **Optical Accessories:** Both OX and OH Aperture Assemblies accept one or two of a number of spread lenses or color filters. With the OX assembly lens orientation may be adjusted by rotating the cross baffle. A complimentary beam smoother is included with either assembly.
- **Whether operated on 120-volt or 277-volt track, luminaire may be dimmed to 10% by an integral rotary dimmer** located in the center of the housing top. Dimmer control shaft is spring loaded, permitting shaft to be expressed for adjustment and then depressed flush with the housing top to conserve dimmer setting. 'Clock face' markings permit registration of dimmer setting. (See illustrations below.)
- **Maxima luminaires have seamless aluminum housings** and cast aluminum tops for lightweight durability and heat dissipation.
- For more information, [click here](#).

For the outlet box mounted version of this luminaire, see [IDM Maxima HI O-OBM](#).

## MODIFICATIONS AVAILABLE

Contact factory with quantity for pricing; orders may require shop drawing approval.

For modified stem lengths up to 72", add the following to the end of the product code:  
+ number of inches.

## PRODUCT CODE

For complete product code, list basic unit and select one item from each following box.

Basic Unit .....IDM-MX-CZL2

### Track Configuration

120-volt track (e.g. SightLine) ..... - 2C  
277-volt track (e.g. HighLine) ..... *no switch; not dimmable* ..... - HC

### Aperture Assembly

Cross Baffle ..... - OX  
Open Aperture ..... - OH

### Reflector

15° spot ..... 15D  
21° narrow flood..... 21D  
38° flood..... 38D

### Finish

white paint finish ..... - WH  
black paint finish ..... - BL  
Industrial Silver paint finish ..... - SI  
custom color paint finish... *include paint number or physical chip with order* .. - CC

### Light Source Output (Lumens)

4000 lumens / 97 CRI ..... 2700K & 3000K only ..... - L40A  
5200 lumens / 80 CRI ..... - L52S

### Light Color

2700 K ..... - 27K  
3000 K ..... - 30K  
3500 K ..... *not available with all Light Outputs (see above)* ..... - 35K  
4000 K ..... *not available with all Light Outputs (see above)* ..... - 40K  
5000 K ..... *not available with all Light Outputs (see above)* ..... - 50K

### Dimming Notes:

- Fixture may be dimmed only by its integral dimmer.
- Fixture cannot be dimmed by a dimmer of any kind on the track circuit.
- Fixture may be damaged by use of an incandescent or ELV dimmer on the track circuit.
- Fixture will not be dimmed or damaged by use of a 0-10V dimmer on the track circuit.

## OPTIONS *Specify by adding to the product code.*

a rocker type **on/off switch** on fixture top, for use on 120-volt track only..... - SW  
*white switch for white fixture, black for Silver or black fixture, specify which for custom color fixture*

## EXTRA APERTURES & REFLECTORS

*Specify as separate line items.*

### Aperture Assembly

Cross Baffle .....RX-MX-OX  
Open Aperture ..... RX-MX-OH

### Reflector

15° spot ..... RK-MX-REF 15  
21° narrow flood..... RK-MX-REF 21  
38° flood..... RK-MX-REF 38

## OPTICAL ACCESSORIES ▼ *See next page*



41-50 22<sup>ND</sup> STREET, LIC NY 11101 TEL 718.685.0700 FAX 718.786.8530 www.epl.com

©Copyright, Edison Price Lighting 2019  
Maxima is a registered trademark of Edison Price Lighting.

TF 11-158.6 8:19

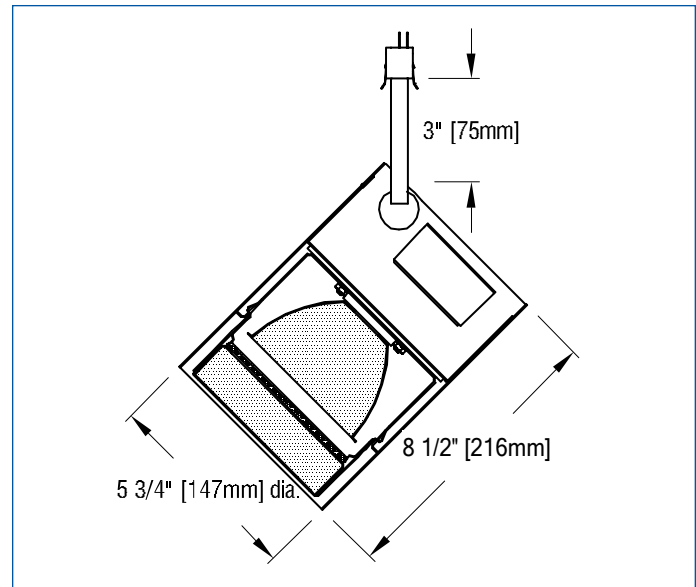
## DIMMER OPERATION



## OPTICAL ACCESSORIES

Specify as separate line items; only for use with one of the above.  
All are 4 3/4" (121mm) diameter. Lenses and filters are glass; screens are aluminum.

- 30° spread lens ..... LENS/4.75-30
- 20° x 55° spread lens ..... LENS/4.75
- 70° spread lens ..... LENS/4.75-70
- prismatic lens (Solite) ..... PLS/4.75
- 40° x 70° spread lens ..... LENS/4.75-4070
- beam smoother (included with fixture) ..... CLR/4.75
- color filters**
- Daylight Blue ..... DAY/4.75
- Surprise Pink ..... PNK/4.75
- blue ..... BLU/4.75
- green ..... GRN/4.75
- red ..... RED/4.75
- 33% light reduction screen ..... SCR33/4.75
- 50% light reduction screen ..... SCR50/4.75



## APPLICATIONS

Luminaire is suitable for highlighting vertical or horizontal surfaces, as well as objects in museums, galleries, showrooms, residences, offices and stores.

Luminaire is listed for mounting on Edison Price Lighting 120-volt or 277-volt track.

## STANDARD DRIVER INFORMATION (UL Class 2, dry and damp location)

Voltage	120	277
Input Watts (L52S/L40A lumens)	40/40	40/40
Input Current(A) (L52S/L40A lumens)	.33/.33	.14/.14
Output Current (mA)	350-800	350-800
Min. Power Factor 0.99	0.90	0.90
Operating Temperature Range (F)	-4 to 122	-4 to 122

## LIGHT OUTPUT MULTIPLIER

LED Module Type	Light Output Multiplier
5200 lumens 80 CRI	1
4000 lumens 97 CRI	0.77*

\*estimated value

– photometrics continued –



## PHOTOMETRIC REPORT with 15° reflector (tested per IESNA LM-79-2008)

Prorated from Verification Services Report No. 717366. Original test report furnished upon request.

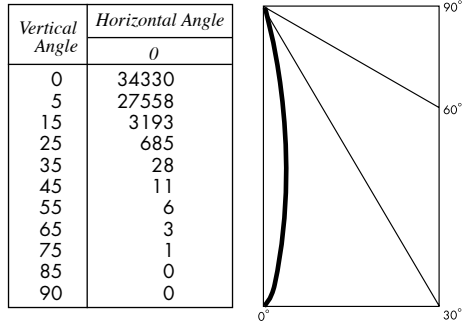
Luminaire ..... track-mounted LED accent light with a 15° reflector and black cross-baffle (NO LENS)

Lamp ..... Citizen LED Module, 5200 lumens, 3000K

Lamp Life ..... rated 50.000 hours based on L70/B50 criteria. LM80 report by LED manufacturer furnished upon request



### CANDLEPOWER DISTRIBUTION



### LUMINAIRE LIGHT OUTPUT AND EFFICACY

LED Module Type	Luminaire Light Output	Luminaire CBCP	Luminaire Efficacy (lms/watt)	System Wattage
5200 lumens 80 CRI	3323	34330	83	40
4000 lumens 97 CRI	2559*	26434*	64*	40

\*estimated values

## PHOTOMETRIC REPORT with 21° reflector (tested per IESNA LM-79-2008)

Prorated from Verification Services Report No. 717365. Original test report furnished upon request.

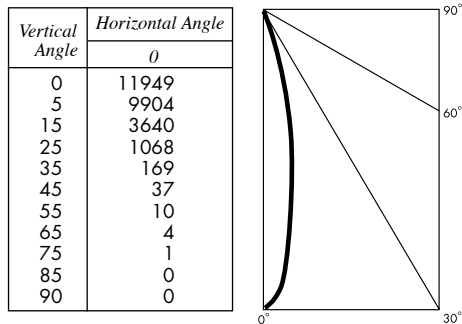
Luminaire ..... track-mounted LED accent light with a 21° reflector and black cross-baffle (NO LENS)

Lamp ..... Citizen LED Module, 5200 lumens, 3000K

Lamp Life ..... rated 50.000 hours based on L70/B50 criteria. LM80 report by LED manufacturer furnished upon request



### CANDLEPOWER DISTRIBUTION



### LUMINAIRE LIGHT OUTPUT AND EFFICACY

LED Module Type	Luminaire Light Output	Luminaire CBCP	Luminaire Efficacy (lms/watt)	System Wattage
5200 lumens 80 CRI	2546	11949	64	40
4000 lumens 97 CRI	1960*	9201*	49*	40

\*estimated values

## PHOTOMETRIC REPORT with 38° reflector (tested per IESNA LM-79-2008)

Prorated from Verification Services Report No. 717367. Original test report furnished upon request.

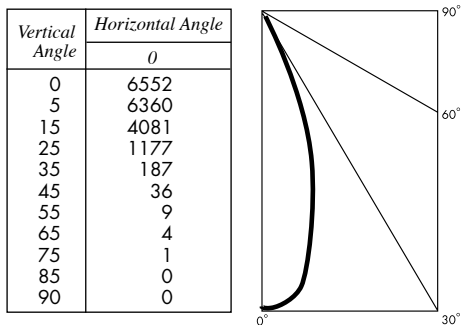
Luminaire ..... track-mounted LED accent light with a 38° reflector and black cross-baffle (NO LENS)

Lamp ..... Citizen LED Module, 5200 lumens, 3000K

Lamp Life ..... rated 50.000 hours based on L70/B50 criteria. LM80 report by LED manufacturer furnished upon request



### CANDLEPOWER DISTRIBUTION



### LUMINAIRE LIGHT OUTPUT AND EFFICACY

LED Module Type	Luminaire Light Output	Luminaire CBCP	Luminaire Efficacy (lms/watt)	System Wattage
5200 lumens 80 CRI	2453	6552	64	40
4000 lumens 97 CRI	1889*	5045*	49*	40

\*estimated values

– photometrics continued –



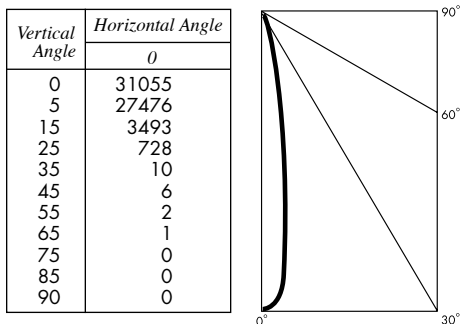
## PHOTOMETRIC REPORT with 15° reflector (tested per IESNA LM-79-2008)

Prorated from Verification Services Report No. 717362. Original test report furnished upon request.

Luminaire ..... track-mounted LED accent light with a 15° reflector and black lens holder (NO LENS)  
 Lamp ..... Citizen LED Module, 5200 lumens, 3000K  
 Lamp Life ..... rated 50.000 hours based on L70/B50 criteria. LM80 report by LED manufacturer furnished upon request



### CANDLEPOWER DISTRIBUTION



### LUMINAIRE LIGHT OUTPUT AND EFFICACY

LED Module Type	Luminaire Light Output	Luminaire CBCP	Luminaire Efficacy (lms/watt)	System Wattage
5200 lumens 80 CRI	3433	31468	86	40
4000 lumens 97 CRI	2643*	24230*	66*	40

\*estimated values

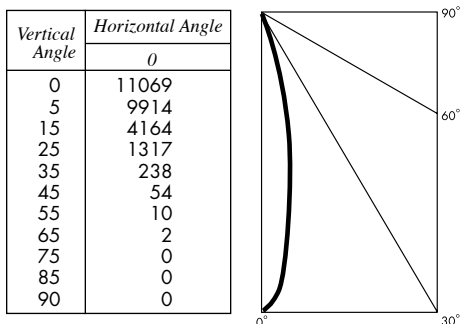
## PHOTOMETRIC REPORT with 21° reflector (tested per IESNA LM-79-2008)

Prorated from Verification Services Report No. 717360. Original test report furnished upon request.

Luminaire ..... track-mounted LED accent light with a 21° reflector and black lens holder (NO LENS)  
 Lamp ..... Citizen LED Module, 5200 lumens, 3000K  
 Lamp Life ..... rated 50.000 hours based on L70/B50 criteria. LM80 report by LED manufacturer furnished upon request



### CANDLEPOWER DISTRIBUTION



### LUMINAIRE LIGHT OUTPUT AND EFFICACY

LED Module Type	Luminaire Light Output	Luminaire CBCP	Luminaire Efficacy (lms/watt)	System Wattage
5200 lumens 80 CRI	2871	11069	72	40
4000 lumens 97 CRI	2211*	8523*	55*	40

\*estimated values

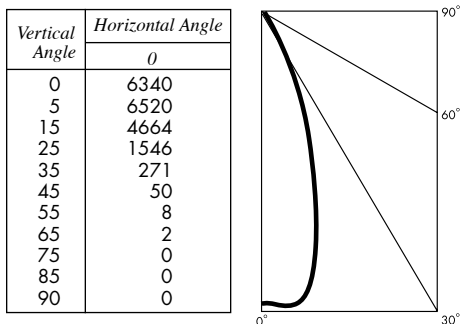
## PHOTOMETRIC REPORT with 38° reflector (tested per IESNA LM-79-2008)

Prorated from Verification Services Report No. 717363. Original test report furnished upon request.

Luminaire ..... track-mounted LED accent light with a 38° reflector and black lens holder (NO LENS)  
 Lamp ..... Citizen LED Module, 5200 lumens, 3000K  
 Lamp Life ..... rated 50.000 hours based on L70/B50 criteria. LM80 report by LED manufacturer furnished upon request



### CANDLEPOWER DISTRIBUTION



### LUMINAIRE LIGHT OUTPUT AND EFFICACY

LED Module Type	Luminaire Light Output	Luminaire CBCP	Luminaire Efficacy (lms/watt)	System Wattage
5200 lumens 80 CRI	2864	6520	72	40
4000 lumens 97 CRI	2205*	5020*	55*	40

\*estimated values