

Project

Date Product Code

Type

Designer



IDM MAXIMA® CZS O

track mounted LED accent light with integral dimmer



IDM Maxima CZS O is a track mounted accent light capable of 16° to 40° beam spreads. Luminaire is powered by Citizen chip-on-board LED's providing either a CRI of 97 within 2-step MacAdam ellipses or a CRI of 80 within 3-step MacAdam ellipses. See tables on reverse for wattages and efficacies.

- Luminaire may be configured to mount to any of eighteen 20-amp, 120-volt [track systems](#) – or – to any of six 277-volt track systems.
 - Whether operated on 120-volt or 277-volt track, luminaire may be dimmed to 10% by an integral rotary dimmer located in the center of the housing top. Dimmer control shaft is spring loaded, permitting shaft to be expressed for adjustment and then depressed flush with the housing top to conserve dimmer setting. 'Clock face' markings permit registration of dimmer setting. (See illustrations below.)
 - Fixture function can be changed with your choice of Aperture Assembly and your choice of 'twist and lock' [reflector](#).
 - Aperture Assembly / Reflector choices
 - Cross Baffle (OX) for enhanced glare control; for use with interchangeable 16°, 28° and 40° reflectors.
 - Open Aperture (OH) for maximum efficacy; for use with interchangeable 16°, 28° and 40° reflectors.
- Fixture is ordered with a single Aperture Assembly and a single reflector. Additional aperture assemblies and reflectors may be ordered as accessories.
- **Optical Accessories:** Both OX and OH Aperture Assemblies accept one or two of a number of spread lenses or color filters. With the OX assembly lens orientation may be adjusted by rotating the cross baffle. A complimentary beam smoother is included with either assembly.
 - Maxima luminaires have seamless aluminum housings and cast aluminum tops for lightweight durability and heat dissipation.
 - For more information, [click here](#).

For the outlet box mounted version of this luminaire, see [IDM Maxima CZS O-OBM](#).

PRODUCT CODE

For complete product code, list basic unit and select one item from each following box.

Basic Unit	IDM-MX-CZS2
Track Configuration	
120-volt track (e.g. SightLine)	- 2C
277-volt track (e.g. HighLine)	no switch; not dimmable - HC
Aperture Assembly	
Cross Baffle	- OX
Open Aperture	- OH
Beam Spread Reflector (specify one to ship with fixture)	
16° spot	16D
28° narrow flood.....	28D
40° flood.....	40D
Finish	
white paint finish	- WH
black paint finish	- BL
Industrial Silver paint finish	- SI
custom color paint finish... include paint number or physical chip with order ..-	CC
Light Source Output (Lumens)	
2800 lumens / 97 CRI	2700K & 3000K only - L28A
3600 lumens / 80 CRI	- L36S
Light Color	
2700 K	- 27K
3000 K	- 30K
3500 K	not available with all Light Outputs (see above)..... - 35K
4000 K	not available with all Light Outputs (see above)..... - 40K

- Dimming Notes:**
- Fixture may be dimmed only by its integral dimmer.
 - Fixture cannot be dimmed by a dimmer of any kind on the track circuit.
 - Fixture may be damaged by use of an incandescent or ELV dimmer on the track circuit.
 - Fixture will not be dimmed or damaged by use of a 0-10V dimmer on the track circuit.
 - Combination with wireless Bluetooth controls available as modification.

OPTIONS *Specify by adding to the product code.*

a rocker type **on/off switch** on fixture top, for use on 120-volt track only..... - SW
white switch for white fixture, black for Silver or black fixture, specify which for custom color fixture

EXTRA APERTURES & REFLECTORS

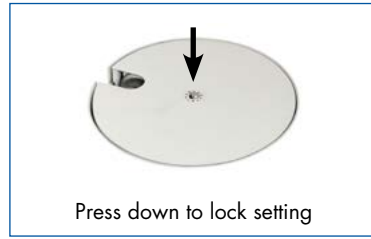
Specify as separate line items.

Aperture Assembly	
Cross Baffle	RK-MX-OX
Open Aperture	RK-MX-OH
Reflector	
16° spot	RK-MX-CZS2-REF-16D
28° narrow flood.....	RK-MX-CZS2-REF-28D
40° flood.....	RK-MX-CZS2-REF-40D

OPTICAL ACCESSORIES ▼ *See next page*



DIMMER OPERATION



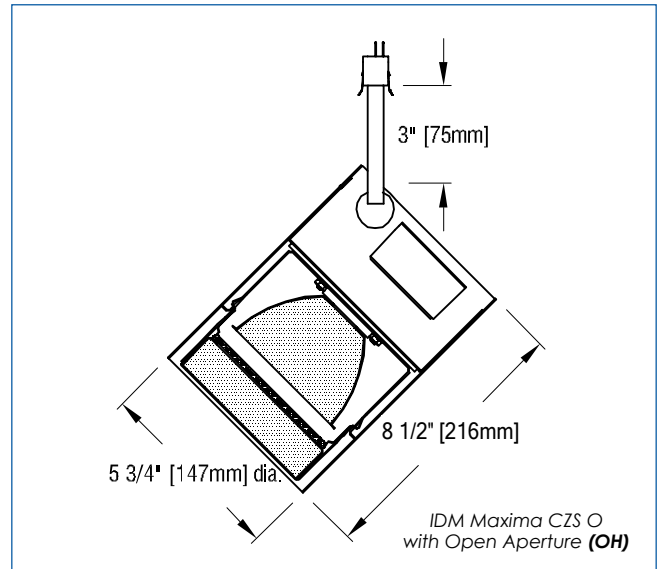
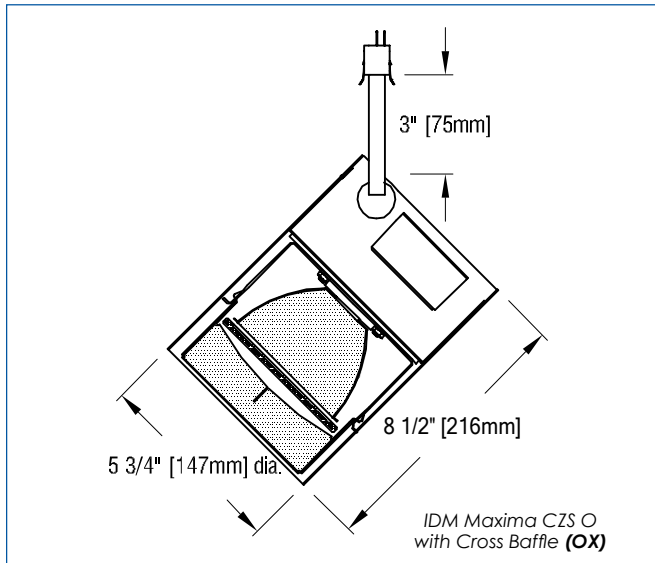
OPTICAL ACCESSORIES

Specify as separate line items; only for use with one of the above.
All are 4 3/4" (121mm) diameter. Lenses and filters are glass; screens are aluminum.

30° spread lens	LENS/4.75-30
20° x 55° spread lens	LENS/4.75
70° spread lens	LENS/4.75-70
prismatic lens (Solite)	PLS/4.75
40° x 70° spread lens	LENS/4.75-4070
beam smoother included with fixture	CLR/4.75
color filters	
Daylight Blue	DAY/4.75
Surprise Pink	PNK/4.75
amber	AMB/4.75
blue	BLU/4.75
green	GRN/4.75
red	RED/4.75
33% light reduction screen	SCR33/4.75
50% light reduction screen	SCR50/4.75

MODIFICATIONS AVAILABLE

Contact factory with quantity for pricing; orders may require shop drawing approval.
For modified stem lengths up to 72", add the following to the end of the product code:
+ number of inches.



APPLICATIONS

Luminaire is suitable for highlighting vertical or horizontal surfaces, as well as objects in museums, galleries, showrooms, residences, offices and stores.

Luminaire is listed for mounting on Edison Price Lighting 120-volt or 277-volt track.

– see below for photometric reports –



PHOTOMETRIC REPORT with 16° reflector (tested per IESNA LM-79-2008)



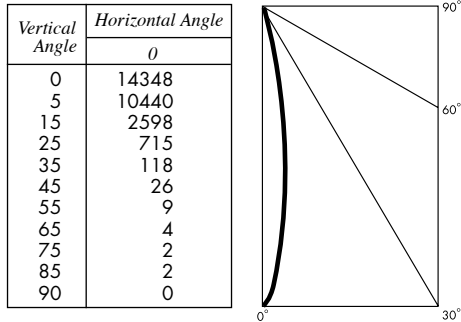
Prorated from Verification Services Report No. 12186406.04. Original test report furnished upon request.

Luminaire track-mounted LED accent light with a 16° reflector and black cross-baffle (NO LENS)

Lamp Citizen LED Module, 4000 lumens, 3000K

Lamp Life rated 50.000 hours based on L70/B50 criteria. LM80 report by LED manufacturer furnished upon request

CANDLEPOWER DISTRIBUTION



LUMINAIRE LIGHT OUTPUT AND EFFICACY

LED Module Type	Luminaire Light Output	Luminaire CBCP	Luminaire Efficacy (lms/watt)	System Wattage
3600 Lumens 80 CRI (L36S)	1866*	13057*	69*	27
2800 Lumens 97 CRI (L28A)	1436*	10044*	53*	27

*estimated values

PHOTOMETRIC REPORT with 28° reflector (tested per IESNA LM-79-2008)



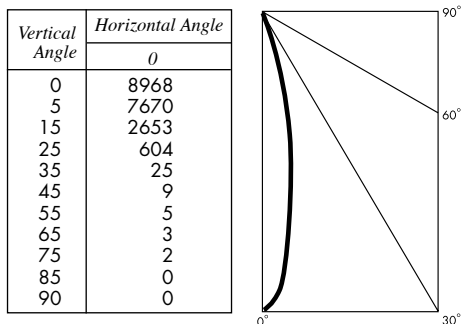
Prorated from Verification Services Report No. 12186406.06. Original test report furnished upon request.

Luminaire track-mounted LED accent light with a 28° reflector and black cross-baffle (NO LENS)

Lamp Citizen LED Module, 4000 lumens, 3000K

Lamp Life rated 50.000 hours based on L70/B50 criteria. LM80 report by LED manufacturer furnished upon request

CANDLEPOWER DISTRIBUTION



LUMINAIRE LIGHT OUTPUT AND EFFICACY

LED Module Type	Luminaire Light Output	Luminaire CBCP	Luminaire Efficacy (lms/watt)	System Wattage
3600 Lumens 80 CRI (L36S)	1610*	8161*	60*	27
2800 Lumens 97 CRI (L28A)	1238*	6278*	46*	27

*estimated values

PHOTOMETRIC REPORT with 40° reflector (tested per IESNA LM-79-2008)



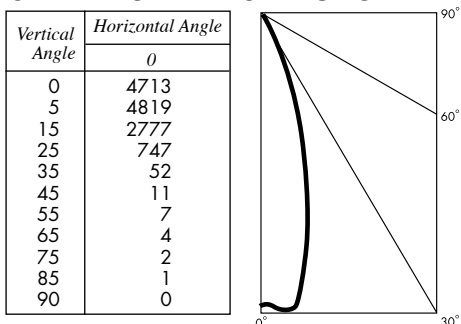
Prorated from Verification Services Report No. 12186406.08. Original test report furnished upon request.

Luminaire track-mounted LED accent light with a 40° reflector and black cross-baffle (NO LENS)

Lamp Citizen LED Module, 4000 lumens, 3000K

Lamp Life rated 50.000 hours based on L70/B50 criteria. LM80 report by LED manufacturer furnished upon request

CANDLEPOWER DISTRIBUTION



LUMINAIRE LIGHT OUTPUT AND EFFICACY

LED Module Type	Luminaire Light Output	Luminaire CBCP	Luminaire Efficacy (lms/watt)	System Wattage
3600 Lumens 80 CRI (L36S)	1494*	4385*	55*	27
2800 Lumens 97 CRI (L28A)	1149*	3373*	43*	27

*estimated values

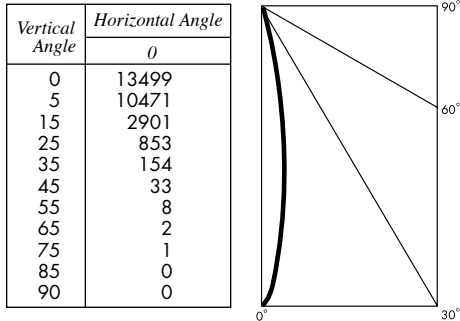
PHOTOMETRIC REPORT with 16° reflector (tested per IESNA LM-79-2008)

Prorated from Verification Services Report No. 12186406.03. Original test report furnished upon request.



Luminaire track-mounted LED accent light with a 16° reflector and black lens holder (NO LENS)
 Lamp Citizen LED Module, 4000 lumens, 3000K
 Lamp Life rated 50.000 hours based on L70/B50 criteria. LM80 report by LED manufacturer furnished upon request

CANDLEPOWER DISTRIBUTION



LUMINAIRE LIGHT OUTPUT AND EFFICACY

LED Module Type	Luminaire Light Output	Luminaire CBCP	Luminaire Efficacy (lms/watt)	System Wattage
3600 Lumens 80 CRI (L36S)	2041*	12,284*	76*	27
2800 Lumens 97 CRI (L28A)	1570*	9449*	58*	27

*estimated values

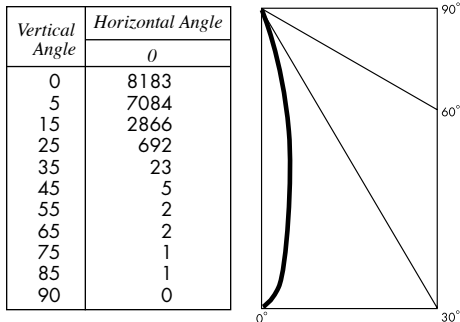
PHOTOMETRIC REPORT with 28° reflector (tested per IESNA LM-79-2008)

Prorated from Verification Services Report No. 12186406.05. Original test report furnished upon request.



Luminaire track-mounted LED accent light with a 28° reflector and black lens holder (NO LENS)
 Lamp Citizen LED Module, 4000 lumens, 3000K
 Lamp Life rated 50.000 hours based on L70/B50 criteria. LM80 report by LED manufacturer furnished upon request

CANDLEPOWER DISTRIBUTION



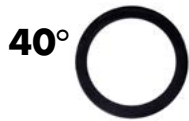
LUMINAIRE LIGHT OUTPUT AND EFFICACY

LED Module Type	Luminaire Light Output	Luminaire CBCP	Luminaire Efficacy (lms/watt)	System Wattage
3600 Lumens 80 CRI (L36S)	1638*	7410*	61*	27
2800 Lumens 97 CRI (L28A)	1260*	5700*	47*	27

*estimated values

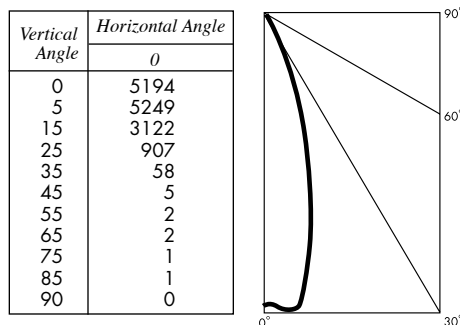
PHOTOMETRIC REPORT with 40° reflector (tested per IESNA LM-79-2008)

Prorated from Verification Services Report No. 12186406.07. Original test report furnished upon request.



Luminaire track-mounted LED accent light with a 40° reflector and black lens holder (NO LENS)
 Lamp Citizen LED Module, 4000 lumens, 3000K
 Lamp Life rated 50.000 hours based on L70/B50 criteria. LM80 report by LED manufacturer furnished upon request

CANDLEPOWER DISTRIBUTION



LUMINAIRE LIGHT OUTPUT AND EFFICACY

LED Module Type	Luminaire Light Output	Luminaire CBCP	Luminaire Efficacy (lms/watt)	System Wattage
3600 Lumens 80 CRI (L36S)	1678*	4788*	62*	27
2800 Lumens 97 CRI (L28A)	1291*	3683*	48*	27

*estimated values

STANDARD DRIVER INFORMATION (UL Class 2, dry and damp location)

Voltage	120	277
Input Watts (L36S/L28A)	27/27	27/27
Input Current(A) (L36S/L28A)	.23/.23	.10/.10
Output Current (mA)	700	700
Min. Power Factor 0.99	0.90	0.90
Operating Temperature Range (F)	-4 to 122	-4 to 122

LIGHT OUTPUT MULTIPLIER

LED Module Type	Light Output Multiplier
3600 Lumens 80 CRI (L36S)	0.91*
4000 Lumens 80 CRI (L40S) [test only]	1
2800 Lumens 97 CRI (L28A)	0.7*