

Project

Date

Product Code

Type

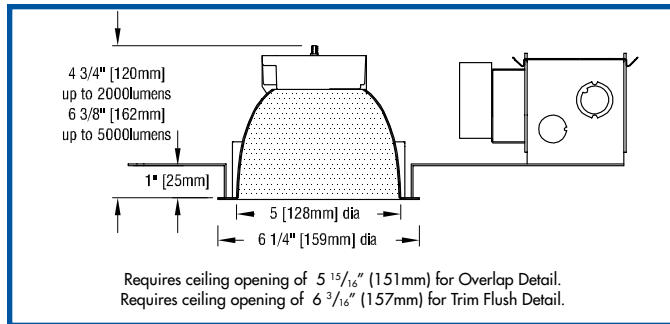
Designer



# LED FTF DL/5

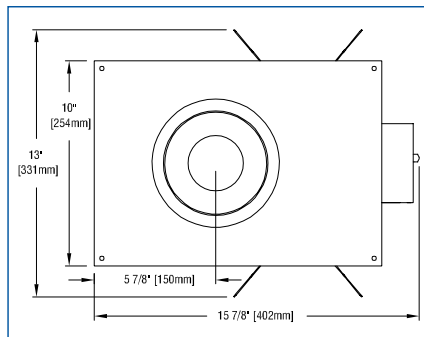
recessed LED downlight

COMPETITIVELY PRICED – EPL QUALITY – COMPETITIVELY PRICED – EPL QUALITY – COMPETITIVELY PRICED – EPL QUALITY – COMPETITIVELY PRICED – EPL QUALITY



## FEATURES

- **LED FTF DL/5 is a 5" aperture LED downlight.** Luminaire is powered by an integral Philips Fortimo DIM Flex LED module. See tables below for wattages and efficacies. Luminaire may be ordered with one of a number of drivers.
- **Precise reflector design minimizes aperture brightness** and provides a shielding angle of 40°.
- **Luminaire includes an integral plastic shield**, making the fixture suitable for food service areas and other applications requiring protection from lamp failure.
- **External reflectors are available in clear natural aluminum finishes** – semi-specular Alzak (C) or slightly diffuse (V) – as well as champagne gold and black. Other reflector finishes are available on special order.
- **Housing is constructed from 14-gauge and 16-gauge electro-zinc steel** in Edison Price Lighting's American factory. Heavy-gauge metals and American manufacturing guarantee long-lasting durability.
- **Luminaire includes a pair of mounting bars** (3/4" x 27" C channel). Specialty bars for wood joist and T-bar installations are also available.
- **For more information, [click here](#).**



## APPLICATIONS

Fixture is listed for Damp Location. Fixture is prewired with thermal protector and approved for ten #12 wire 90° branch circuit pull-through wiring. If specified with a "DMV-AD" driver fixture qualifies for the safety program prescribed by UL991 and CSA22.2, and does not require a thermal protector. Removal of the reflector allows access to the junction box.



### MODIFICATIONS AVAILABLE

Contact factory with quantity for pricing; orders may require shop drawing approval.

- **+DOD:** luminaire suitable for **high humidity** environments; add +DOD to Product Code.
- **+MAR:** reflector suitable for **marine** environments; add +MAR to Product Code.

### SPACING REQUIREMENT

The L30H, L30S, L40S and L50S models of this luminaire must be spaced 36" apart and 18" from walls and must have 1/2" clearance above housing.

For sloped ceilings, see [LED FTF DL/5 SLOPE](#)  
For IC-rated model, see [EPIC LED FTF DL/5](#)

## PRODUCT CODE

For complete product code, list basic unit and select one item from each following box.

<b>Basic Unit</b> .....	LED-FTF-5DL
<b>Driver</b>	
dimmable to 1% by a 0-10V dimmer on 120 or 277-volt service ... - DMV-AD	
dimmable to 1% SoftOn/FadeToBlack by a Lutron EcoSystem control, on 120-volt or 277-volt service .....	ECO-LU
dimmable to 1% by a 2-wire Lutron compatible dimmer, on 120-volt service only .....	DM-LU
eldoLED 0-10V (Logarithmic) driver dimmable to 0.1% with a 0-10V dimmer on 120 or 277-volt service .....	DVOELG
eldoLED 0-10V (Linear) driver dimmable to 0.1% with a 0-10V dimmer on 120 or 277-volt service .....	DVOELN
eldoLED drivers dimmable to 0.1% by a DALI control system .....	DAO-EL
Moons' driver dimmable to 0.1% by DMX controllers .....	DXO-MN
dimmable to 0.1% by a Zigbee wireless network (Daintree, Encelium or Wink); wireless range 50' through standard walls .....	ZGOMAG
<b>Light Source Output</b>	
1100 lumens / CRI 90 .....	L11H
1500 lumens .....	L15H
2000 lumens .....	L20H
3000 lumens .....	L30H
1100 lumens / CRI 80 .....	L11S
1500 lumens .....	L15S
2000 lumens .....	L20S
3000 lumens .....	L30S
4000 lumens .....	L40S
5000 lumens .....	L50S

<b>Light Engine Color</b>	
2700K: available for L11H, L15H, L20H & L30H only .....	27K
3000K: available for L11H, L15H, L20H, L30H, L40S & L50S only ....	30K
3500K: available for L11H, L15H, L20H, L30H, L40S & L50S only ....	35K
4000K: available for L11S, L15S, L20S, L30S, L40S & L50S only .....	40K
5000K: available for L40S & L50S only .....	50K

<b>Reflector Color and Detail</b>	<i>Overlap Flange</i>	<i>Trim Flush*</i>
Semi-specular Clear .....	COL	CTF
Slightly diffuse Clear .....	VOL	VTF
Champagne Gold .....	GOL	GTF
White .....	WOL	WTF
Other reflector finishes available on special order.		
Overlap Flange continues reflector finish. White painted flanges and custom painted flanges are available on special order. Add WF (white flange) or CCF (custom color flange).		
*Trim Flush reflector trim requires the use of a <b>plaster ring Accessory</b> (see below).		
▶ Reflectors detailed for metal or wood ceilings available on special order.		

<b>Voltage</b>	
120 volt service .....	120
277 volt service .....	277

## OPTIONS *Specify by adding to the basic unit.*

<b>Emergency battery pack;</b> increases depth to 8", increases footprint length to 19 5/8" and 3" additional clearance needed to service pack through aperture .....	EM
---	----

## ACCESSORIES *Specify as a separate line item.*

<b>Plaster ring</b> allows use of 5 7/8" OD Trim Flush (-TF) reflector in sheetrock ceiling; 6 3/16" dia hole required .....	TF RING/5
--	-----------

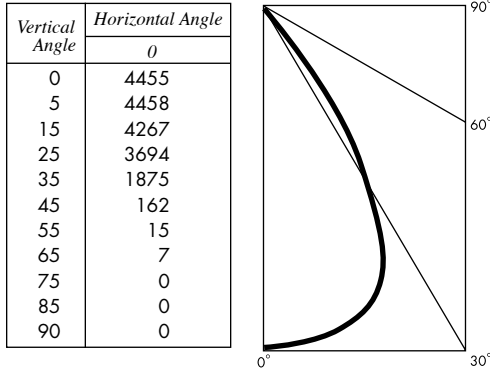


## PHOTOMETRIC REPORT (tested per IESNA LM-79-2008)

Leading Testing Laboratories Report No. UT19050003-02. Original test report furnished upon request.

Luminaire ..... recessed LED round downlight with aluminum reflector  
 Lamp ..... Philips Fortimo DLM 5000 lumens, 80 CRI, 3000K CCT  
 Lamp Life ..... rated 50,000 hours based on L70/B50 criteria. LM80 report by LED manufacturer furnished upon request.  
 Spacing Criteria ..... 1.1

### CANDLEPOWER DISTRIBUTION



### DRIVER INFORMATION *UL Class 2, dry and damp location*

Voltage	120	277
Input Watts (L11H/L11S/L15H/L15S/L20H/L20S/L30H/L30S/L40S/L50S LED)	13/12/17/15/24/21/35/34/37/48	13/12/17/15/24/21/35/34/37/48
Input Current (A) (L11H/L11S/L15H/L15S/L20H/L20S/L30H/L30S/L40S/L50S LED)	.11/.10/.14/.13/.20/.18/.29/.28/.31/.40	.05/.04/.06/.05/.09/.08/.13/.12/.13/.17
Min. Power Factor	>0.95	>0.95
Operating Temperature Range (F)	-4 to 122	-4 to 122

### REFLECTOR COLOR MULTIPLIERS

Semi-specular Clear (C)	1
EvenTone (V)	.95
Champagne Gold (G)	.95
Black (B)	.49

### COLOR TEMPERATURE MULTIPLIER

2700K	0.96
3000K	1
3500K	1.03
4000K	1.05
5000K	1.06

### LUMINANCE DATA

Vertical Angle	Candelam <sup>2</sup>
45	18040
55	2059
65	1304
75	0
85	0

### ZONAL LUMEN SUMMARY

Zone	Lumens	% Fixture
0 - 30°	3292	70.2
0 - 40°	4459	95.2
0 - 60°	4677	99.8
0 - 90°	4686	100.0
90 - 180°	0.0	0.0
0 - 180°	4686	100.0

### LIGHT OUTPUT MULTIPLIERS

*(Based on 5000 lumens 80 CRI 3000K LED)*

LED Light Engine	Light Output Multiplier	EM Light Output Multiplier (90-minute run)
L11H/L11S	0.23*	0.10*
L15H/L15S	0.31*	0.10*
L20H/L20S	0.42*	0.10*
L30H/L30S	0.63*	0.10*
L40S	0.81*	0.11*
L50S	1	0.11*

\*estimated values

### LUMINAIRE LIGHT OUTPUT AND EFFICACY *(Based on 5000 lumens 80 CRI 3000K LED)*

LED Module Type	Luminaire Light Output	Luminaire Efficacy (lms/watt)	System Wattage	EM Light Output (90-minute run)
L11H/L11S	1078*	83*/90*	13/12	469*
L15H/L15S	1453*	85*/97*	17/15	469*
L20H/L20S	1968*	82*/94*	24/21	469*
L30H/L30S	2952*	84*/87*	35/34	469*
L40S	3796*	103*	37	515*
L50S	4686	98	48	515*

\*estimated values